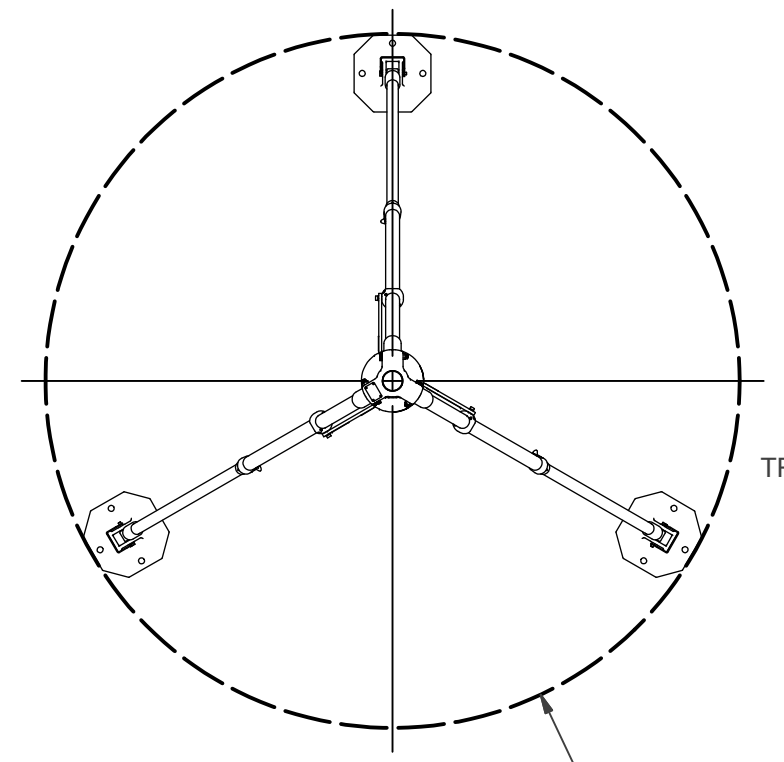
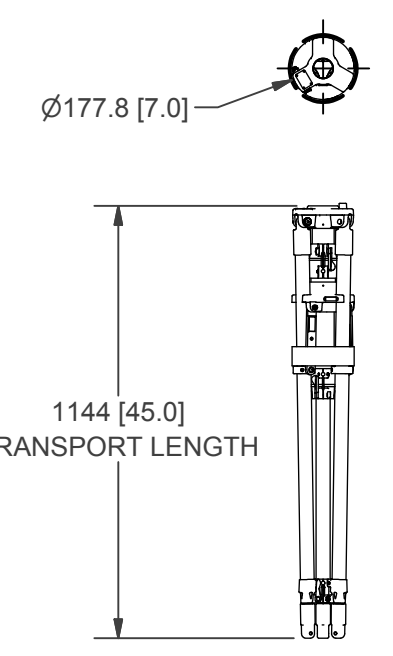


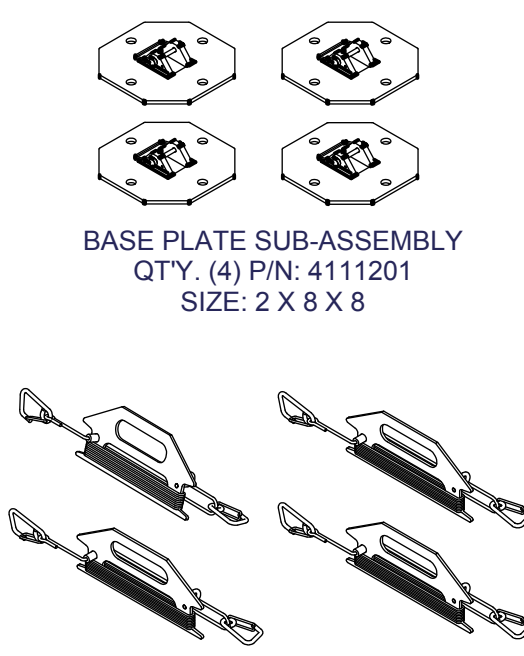
CUSTOMER INTERFACE DRAWING:
ECN 13584 REV. E - RELEASE DATE: 4-4-2017



COMPOSITE TRIPOD
P/N: 4432001

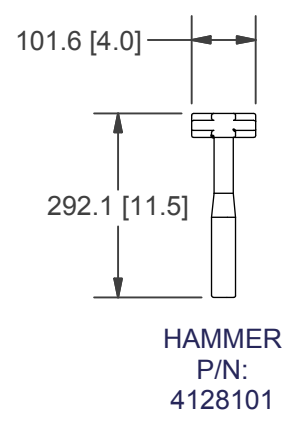


1144 [45.0]
TRANSPORT LENGTH

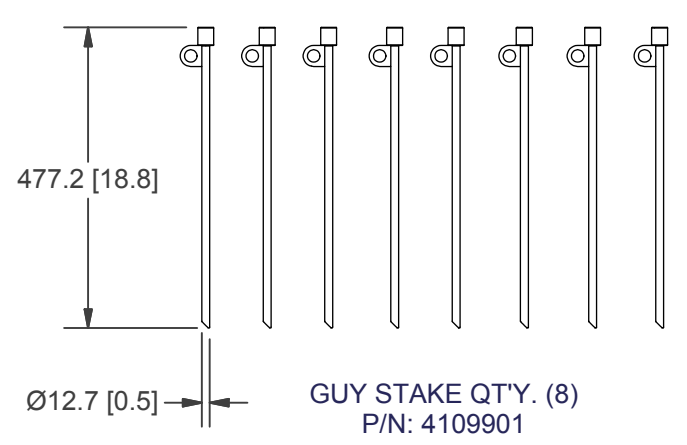


BASE PLATE SUB-ASSEMBLY
QT'Y. (4) P/N: 4111201
SIZE: 2 X 8 X 8

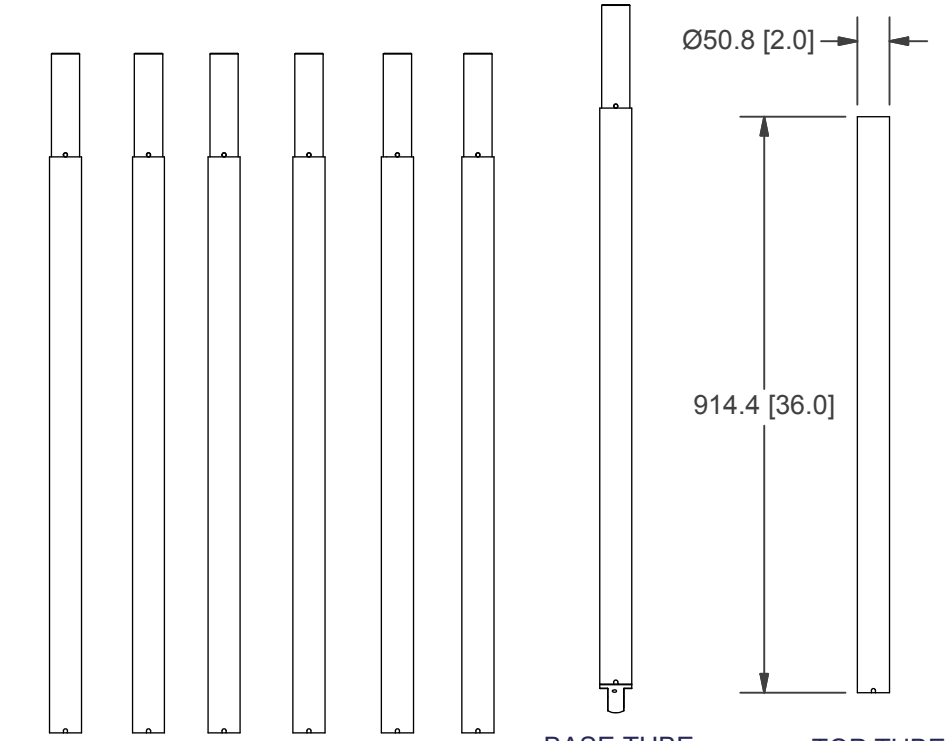
ROPE STAY QT'Y. (4)
P/N: 4247805
SIZE: 2 X 5 X 11



HAMMER
P/N:
4128101



GUY STAKE QT'Y. (8)
P/N: 4109901

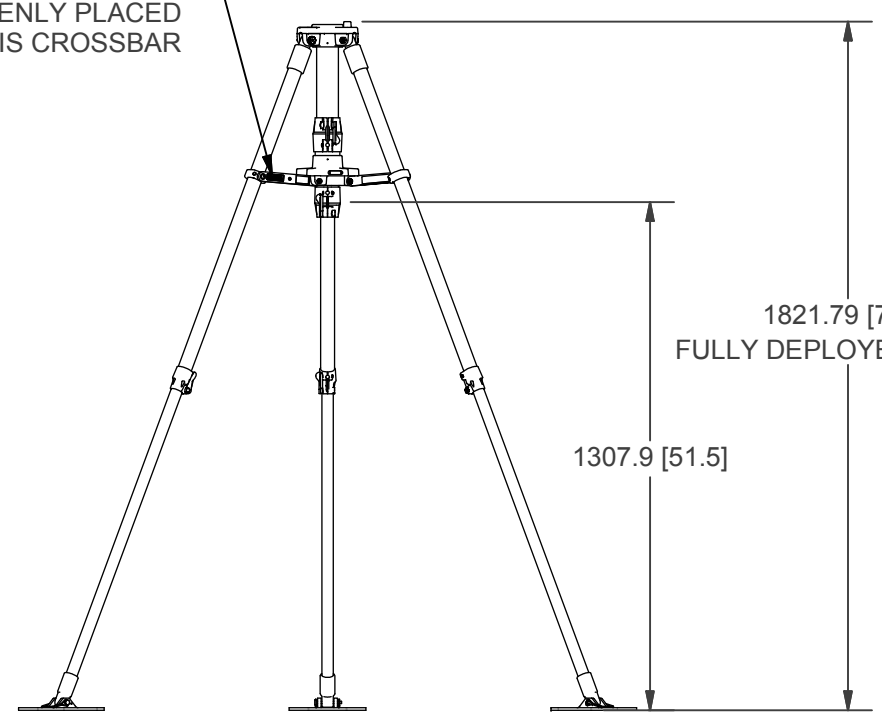


TUBE SECTION
QT'Y. (6)
P/N: 4437501

BASE TUBE SECTION
QT'Y. (1)
P/N: 4437701

TOP TUBE SECTION
QT'Y. (1)
P/N: 4437601

LABEL - SERIAL NUMBER
EVENLY PLACED
ON THIS CROSSBAR



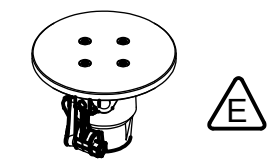
1821.79 [71.7]
FULLY DEPLOYED HEIGHT



BACKPACK - CARRIER
P/N: 4435902



LIFT PUCK QT'Y. (1)
P/N: 4393001
SIZE: 3 X 5 X 3



GUY STUB QT'Y. (1)
P/N: 4458901
SIZE: 3.5 X 6 DIA.

MANUAL NOT SHOWN
P/N: TP-45865

MATERIAL	UNLESS OTHERWISE SPECIFIED DIMENSIONS ARE IN INCHES. TOLERANCES ON DECIMALS ANGLES 0 = ± 0.030 ± 1/2° 00 = ± 0.010 000 = ± 0.005 FRACTIONAL ± 1/64"	PROPRIETARY AND CONFIDENTIAL THE INFORMATION CONTAINED IN THIS DRAWING IS THE SOLE PROPERTY OF THE WILL-BURT COMPANY ANY REPRODUCTION IN PART OR WHOLE WITHOUT THE WRITTEN PERMISSION OF THE WILL-BURT COMPANY IS PROHIBITED.		AN EMPLOYEE OWNED COMPANY ORRVILLE, OH	
FINISH	1. ALL INSIDE EDGES TO HAVE .005" TO .035" FILLETS. 2. ALL OUTSIDE EDGES TO HAVE .005" TO .015" CHAMFER OR RADIUS. 125° ON ALL MACHINED SURFACES	APPROVALS	DATE	SIZE	DWG NO
APPRX. WT: 62 LBS		DRAWN kvandegrift	12/7/2009	B	714042410
THIRD ANGLE PROJECTION		CHECKED		PN: SEE CHART	REV E
					SHEET 1 OF 4



REVISION HISTORY				
ECN	REV	DESCRIPTION	DATE	BY/APPR
10263	C	MANUAL P/N FROM: 4471301 TO TP-45865	10/7/2010	AJK/
10433	D	ADD: NOTE #1; 4435902 was 4435901	2/15/2011	JP/
13584	E	ADD: 4458901 TO ALL BOM'S	4-4-2017	KV/



**FRONT ISO
(FULLY LOADED)**



**REAR ISO
(FULLY LOADED)**

MATERIAL	UNLESS OTHERWISE SPECIFIED DIMENSIONS ARE IN INCHES. TOLERANCES ON DECIMALS ANGLES 0 = ± 0.030 ± 1/2° .00 = ± 0.010 .000 = ± 0.005 FRACTIONAL ± 1/64" 1. ALL INSIDE EDGES TO HAVE .005" TO .035" FILLETS. 2. ALL OUTSIDE EDGES TO HAVE .005" TO .015" CHAMFER OR RADIUS. $\sqrt[125]{}$ ON ALL MACHINED SURFACES	PROPRIETARY AND CONFIDENTIAL THE INFORMATION CONTAINED IN THIS DRAWING IS THE SOLE PROPERTY OF THE WILL-BURT COMPANY ANY REPRODUCTION IN PART OR WHOLE WITHOUT THE WRITTEN PERMISSION OF THE WILL-BURT COMPANY IS PROHIBITED.		 AN EMPLOYEE OWNED COMPANY ORRVILLE, OH		
FINISH				TITLE RANGER PACK TRIPOD 2" ASM COMPOSITE		
THIRD ANGLE PROJECTION 		APPROVALS DRAWN kvandegrift	DATE 12/7/2009	SIZE B	DWG NO 714042410	REV E
CHECKED			PN: SEE CHART		SHEET 2 OF 4	

