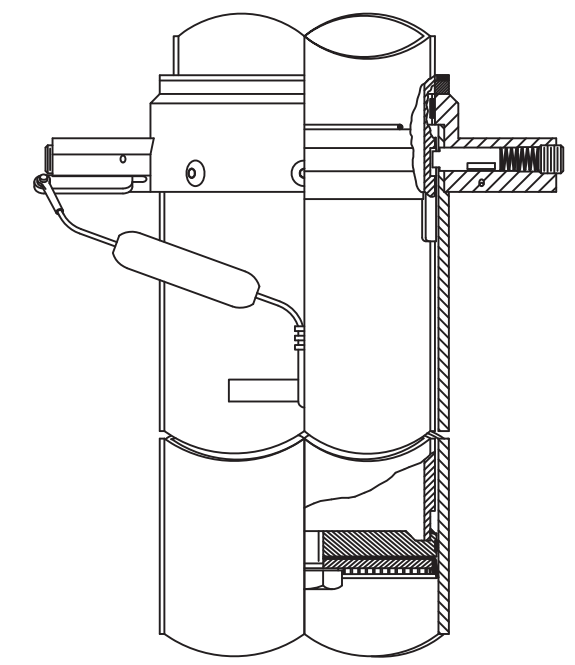
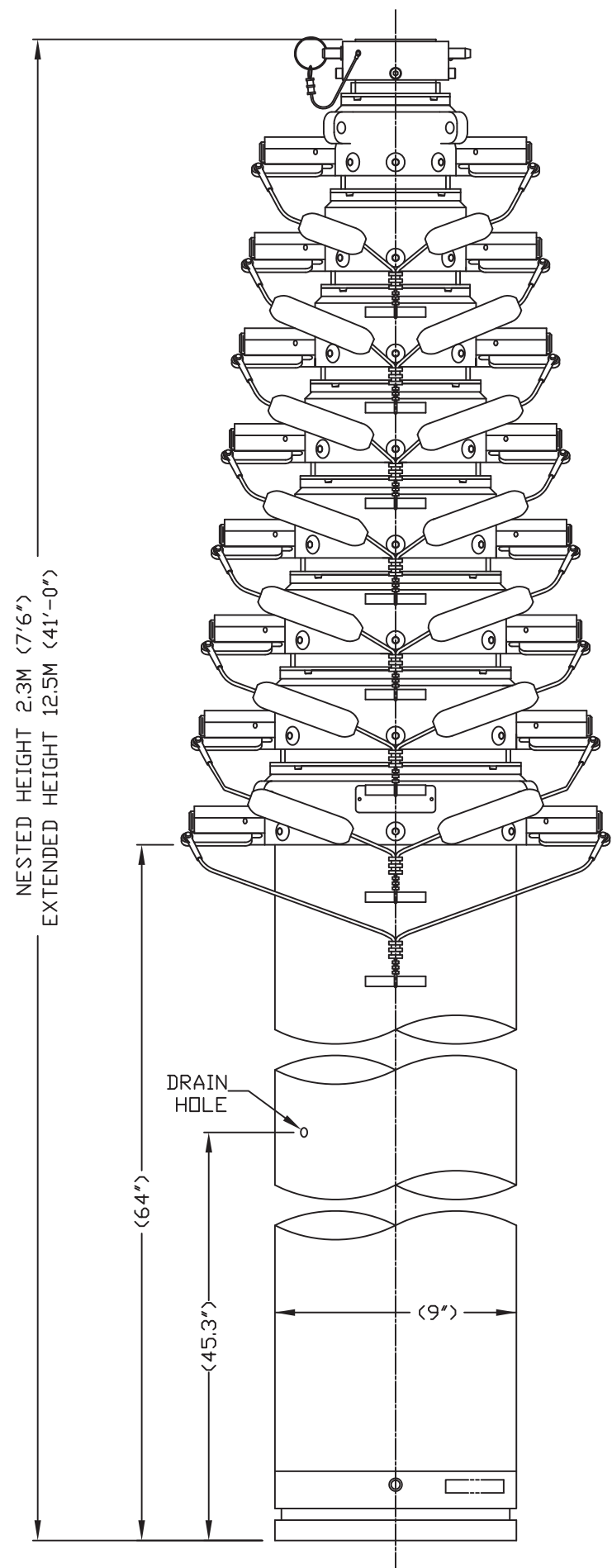



REVISION HISTORY				
ECN	REV	DESCRIPTION	DATE	BY/APPRV.
10742	00	INITIAL RELEASE	10/18/2011	MS/



MATERIAL SEE PARTS LIST	UNLES OTHERWISE SPECIFIED DIMENSIONS ARE IN INCHES. TOLERANCES DECIMALS ANGLES 0 = ±N/A ±N/A 00 = ±N/A ±N/A 000 = ±N/A ±N/A FRACTIONS ± N/A BREAK ALL SHARP CORNERS 125/ FINISH ON ALL MACHINED SURFACES	THIS DOCUMENT CONTAINS PROPRIETARY INFORMATION AND SHALL NOT BE USED OR REPRODUCED OR ITS CONTENTS DISCLOSED IN WHOLE OR IN PART, WITHOUT THE PRIOR WRITTEN CONSENT OF THE WILL-BURT COMPANY.	 AN EMPLOYEE OWNED COMPANY ORRVILLE, OHIO	
			TITLE: PNEU MAST 2.3-12.5M HDLWB BLK HRDC WT	
FINISH (BLACK HARDCOAT WITH TEFLON)	SIGNATURE	DATE	SIZE	D/N:
	DRAWN BY: msmith	10/18/2011	B	710491390
	CHECKED BY:		SCALE: N/A	P/N: 710491390
	APPROVED BY:			SHEET 1/1