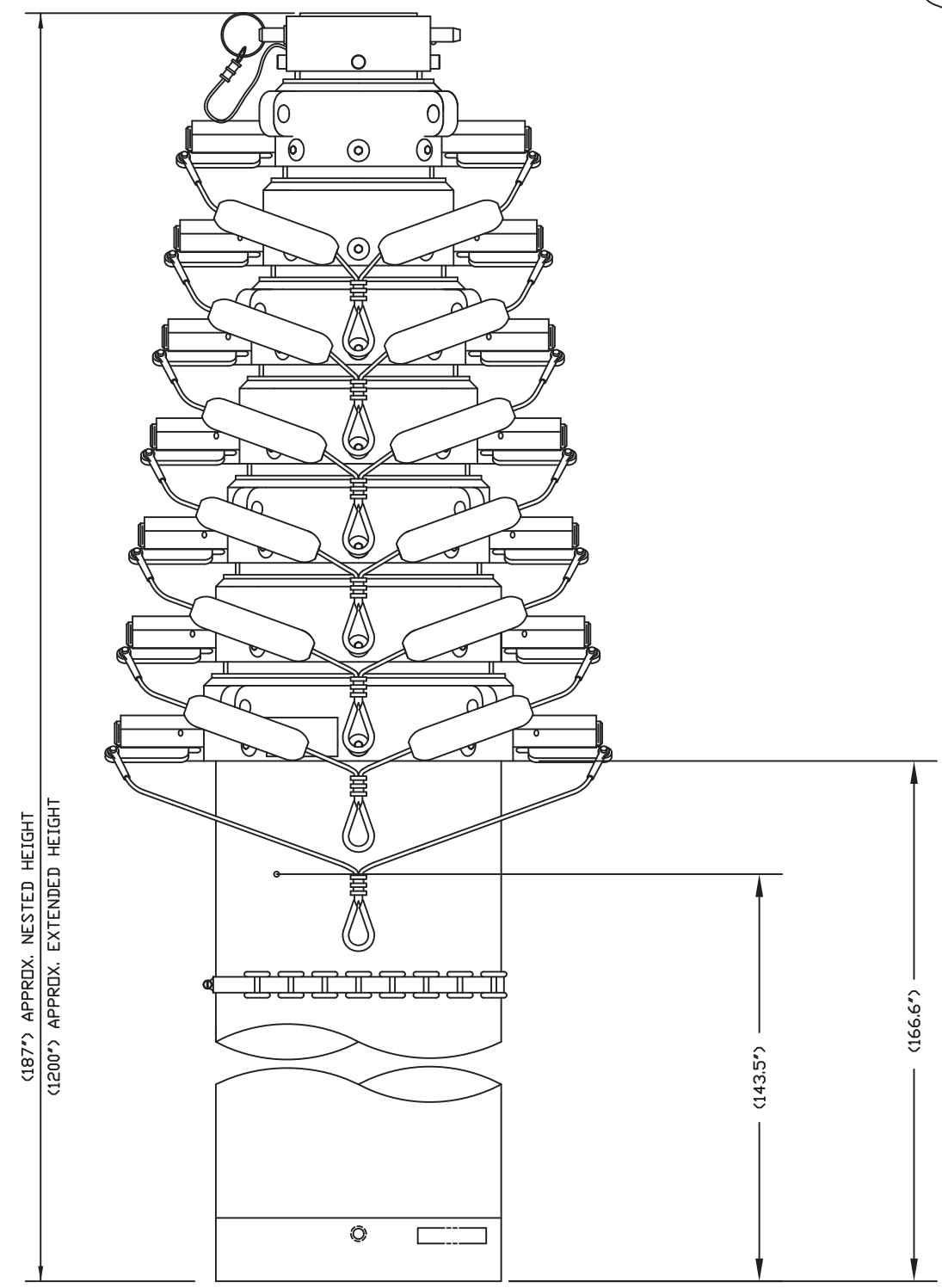
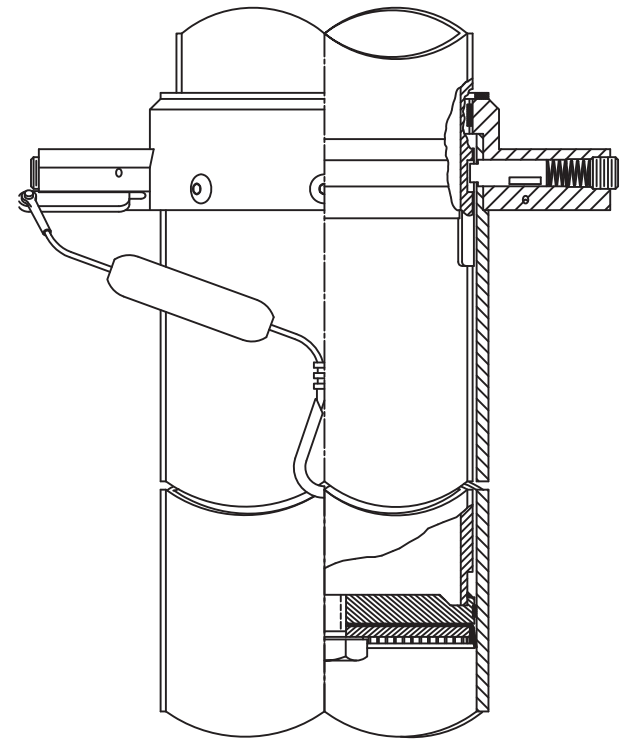


REVISIONS				
ECN	REV	DESCRIPTION	DATE	BY/APPRV.
8153	E	CHANGED TOP TUBE STOP & MORE	5/10/06	MSmith/
8302	F	REMOVED B-6305 FROM NOTE 10	7/20/06	KN/
9367	G	CHANGED P/N FOR ITEM 67	12/16/08	PCD/



MATERIAL SEE BOM ABOVE	UNLESS OTHERWISE SPECIFIED DIMENSIONS ARE IN INCHES TOLERANCES ON DECIMALS 0 = ± N/A 00 = ± N/A 000 = ± N/A FRACTIONS * BREAK ALL SHARP CORNERS 125 ON ALL MACHINED SURFACES	THIS DOCUMENT CONTAINS PROPRIETARY INFORMATION AND SHALL NOT BE USED OR REPRODUCED OR ITS CONTENTS DISCLOSED IN WHOLE OR IN PART, WITHOUT THE PRIOR WRITTEN CONSENT OF THE WILL-BURT COMPANY.	SIGNATURE		DATE	SIZE B	DWG. No. B-10030	SCALE -	912970	SHEET 1 OF 1
			DR. BY RRM	1-5-04						
FINISH CLEAR ANODIZE REF			CK. BY							

WB AN EMPLOYEE OWNED COMPANY
WILL-BURT
ORRVILLE, OHIO

NEXT ASS'Y
DESC.
PNM 15.7-100 SHDL CE