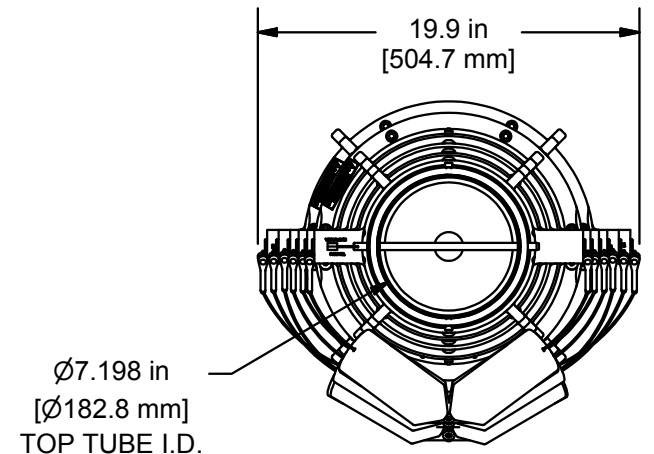
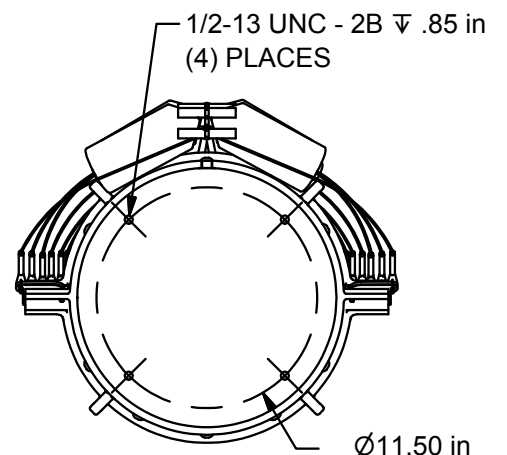


11.-59'
ULTRA HEAVY DUTY
LOCKING MAST



VIEW M-M



VIEW L-L

- 1 ALL DIMENSIONS APPLY WITHOUT MOUNTING ACCESSORIES.
- 2 ADDITIONAL MAST SURFACE FINISHES OPTIONAL.

MATERIAL:	PROPRIETARY AND CONFIDENTIAL THE INFORMATION CONTAINED IN THIS DRAWING IS THE SOLE PROPERTY OF THE WILL-BURT COMPANY ANY REPRODUCTION IN PART OR WHOLE WITHOUT THE WRITTEN PERMISSION OF THE WILL-BURT COMPANY IS PROHIBITED. UNLESS OTHERWISE SPECIFIED DIMENSIONS ARE IN INCHES THIRD ANGLE PROJECTION	W3 AN EMPLOYEE OWNED COMPANY WILL-BURT ORRVILLE, OH		
FINISH:		TITLE: PNEU MAST 11.3-59 UHDL CUSTOMER DRAWING		
CLEAR ANODIZE		P/N: 710905700	DATE: 4/10/2017	DRAWN BY: rjones
DRAWING NOT TO SCALE		APPROXIMATE WEIGHT: 814 LB [369.2 KG]	TUBE SET: Ø7.50 - Ø13.5	REV D
ALL DIMENSIONS AND PERFORMANCE PARAMETERS ARE PROVIDED FOR REFERENCE ONLY AND ARE SUBJECT TO CHANGE WITHOUT NOTICE.				