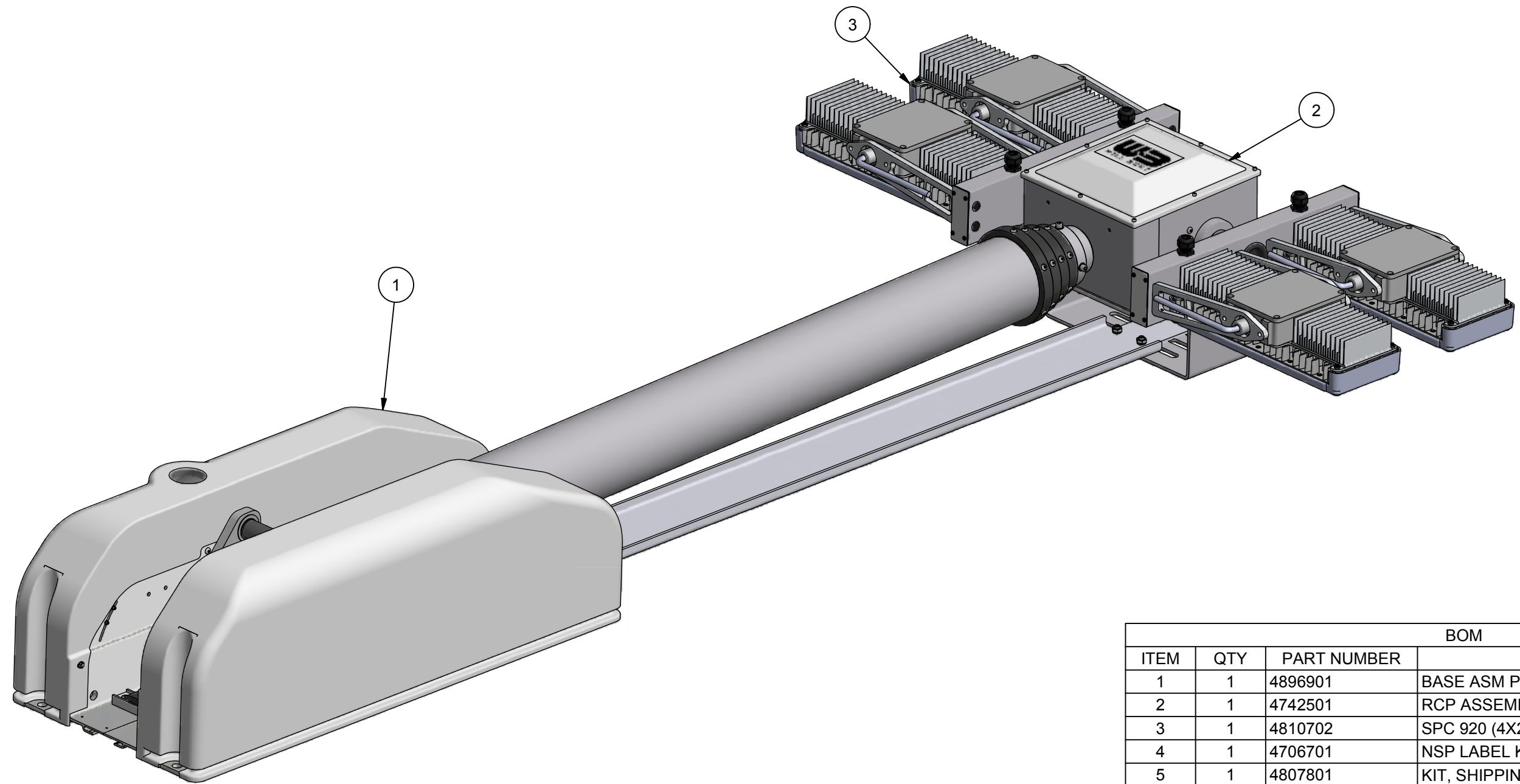


REVISION HISTORY				
ECN	REV	DESCRIPTION	DATE	BY/APPR
11436	00	INITIAL RELEASE	1/15/2013	RCC\



BOM			
ITEM	QTY	PART NUMBER	DESCRIPTION
1	1	4896901	BASE ASM POWERLITE 6.0 CLR
2	1	4742501	RCP ASSEMBLY NSP STD
3	1	4810702	SPC 920 (4X230W) 120VAC, REMOVABLE
4	1	4706701	NSP LABEL KIT (NOT SHOWN)
5	1	4807801	KIT, SHIPPING NSP (NOT SHOWN)

UNLESS OTHERWISE SPECIFIED  
DIMENSIONS ARE IN INCHES.

TOLERANCES ON DECIMALS    ANGLES  
0 = ± 0.030                      ± 1/2°  
00 = ± 0.010  
000 = ± 0.005  
FRACTIONAL ± 1/64"

1. ALL INSIDE EDGES TO HAVE  
.005" TO .035" FILLETS.  
2. ALL OUTSIDE EDGES TO HAVE  
.005" TO .015" CHAMFER OR RADIUS.

125° ON ALL MACHINED SURFACES

**PROPRIETARY AND CONFIDENTIAL**  
THE INFORMATION CONTAINED IN THIS  
DRAWING IS THE SOLE PROPERTY OF THE  
WILL-BURT COMPANY ANY  
REPRODUCTION IN PART OR WHOLE  
WITHOUT THE WRITTEN PERMISSION OF  
THE WILL-BURT COMPANY IS PROHIBITED.

**W3** AN EMPLOYEE OWNED COMPANY  
WILL-BURT ORRVILLE, OH

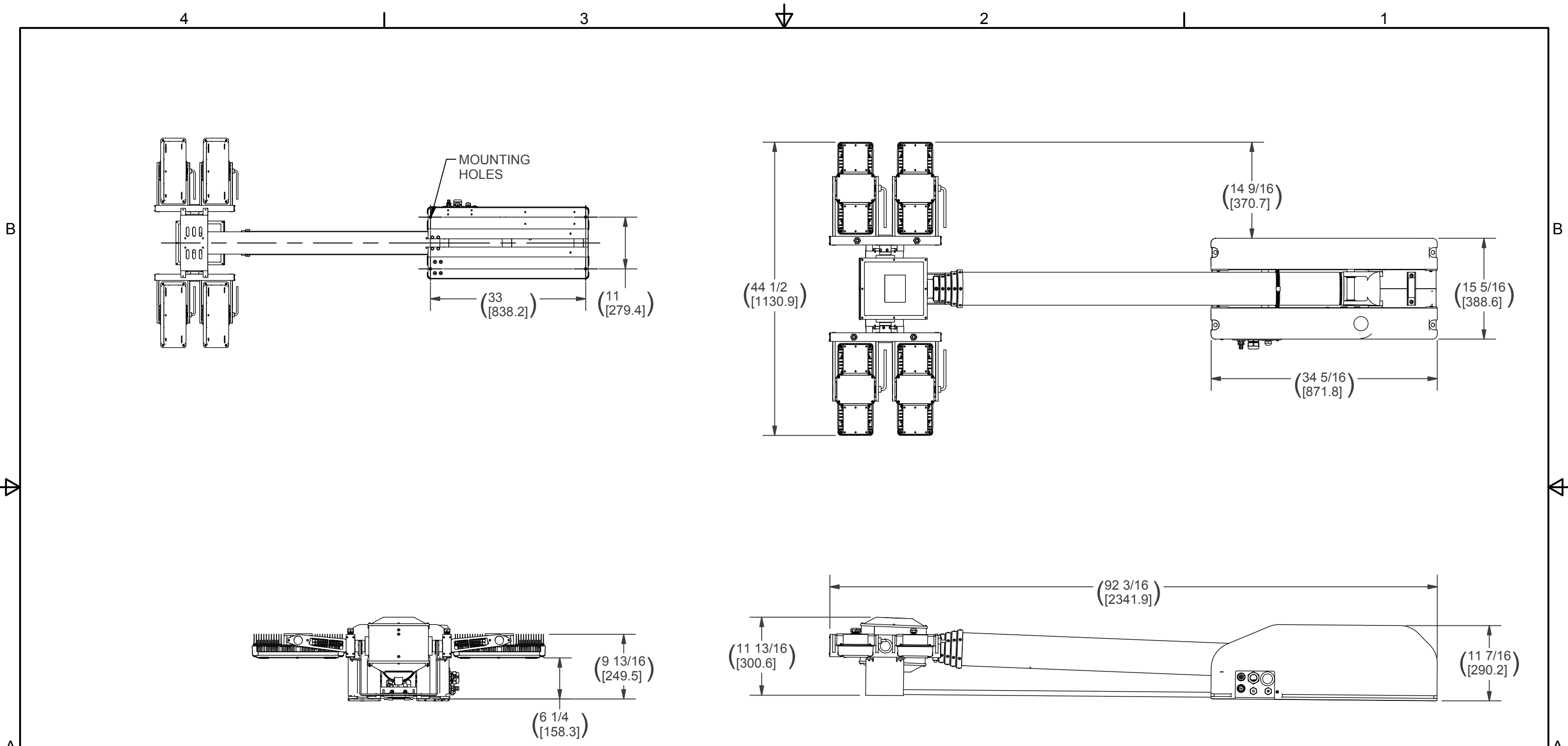
TITLE  
**NS 6.0-920-4x230 SPC LED  
115 VAC**

APPROX. WT:N/A

THIRD ANGLE PROJECTION

APPROVALS	DATE
DRAWN RCC	1/15/2013
CHECKED	

SIZE	DWG NO	REV
B	722079000	00
PN: 722079000		SHEET 1 OF 2



APPROX. WT:N/A

THIRD ANGLE PROJECTION



**UNLESS OTHERWISE SPECIFIED DIMENSIONS ARE IN INCHES.**  
 TOLERANCES ON DECIMALS ANGLES  
 0 = ± 0.030 ± 1/2°  
 00 = ± 0.010  
 000 = ± 0.005  
 FRACTIONAL ± 1/64"  
 1. ALL INSIDE EDGES TO HAVE .005" TO .035" FILLETS.  
 2. ALL OUTSIDE EDGES TO HAVE .005" TO .015" CHAMFER OR RADIUS.  
 125√ ON ALL MACHINED SURFACES

**PROPRIETARY AND CONFIDENTIAL**  
 THE INFORMATION CONTAINED IN THIS DRAWING IS THE SOLE PROPERTY OF THE WILL-BURT COMPANY ANY REPRODUCTION IN PART OR WHOLE WITHOUT THE WRITTEN PERMISSION OF THE WILL-BURT COMPANY IS PROHIBITED.

**W3** AN EMPLOYEE OWNED COMPANY  
 WILL-BURT ORRVILLE, OH

TITLE  
**NS 6.0-920-4x230 SPC LED  
 115 VAC**

APPROVALS	DATE
DRAWN RCC	1/15/2013
CHECKED	

SIZE	DWG NO	REV
B	722079000	00
PN: 722079000		SHEET 2 OF 2