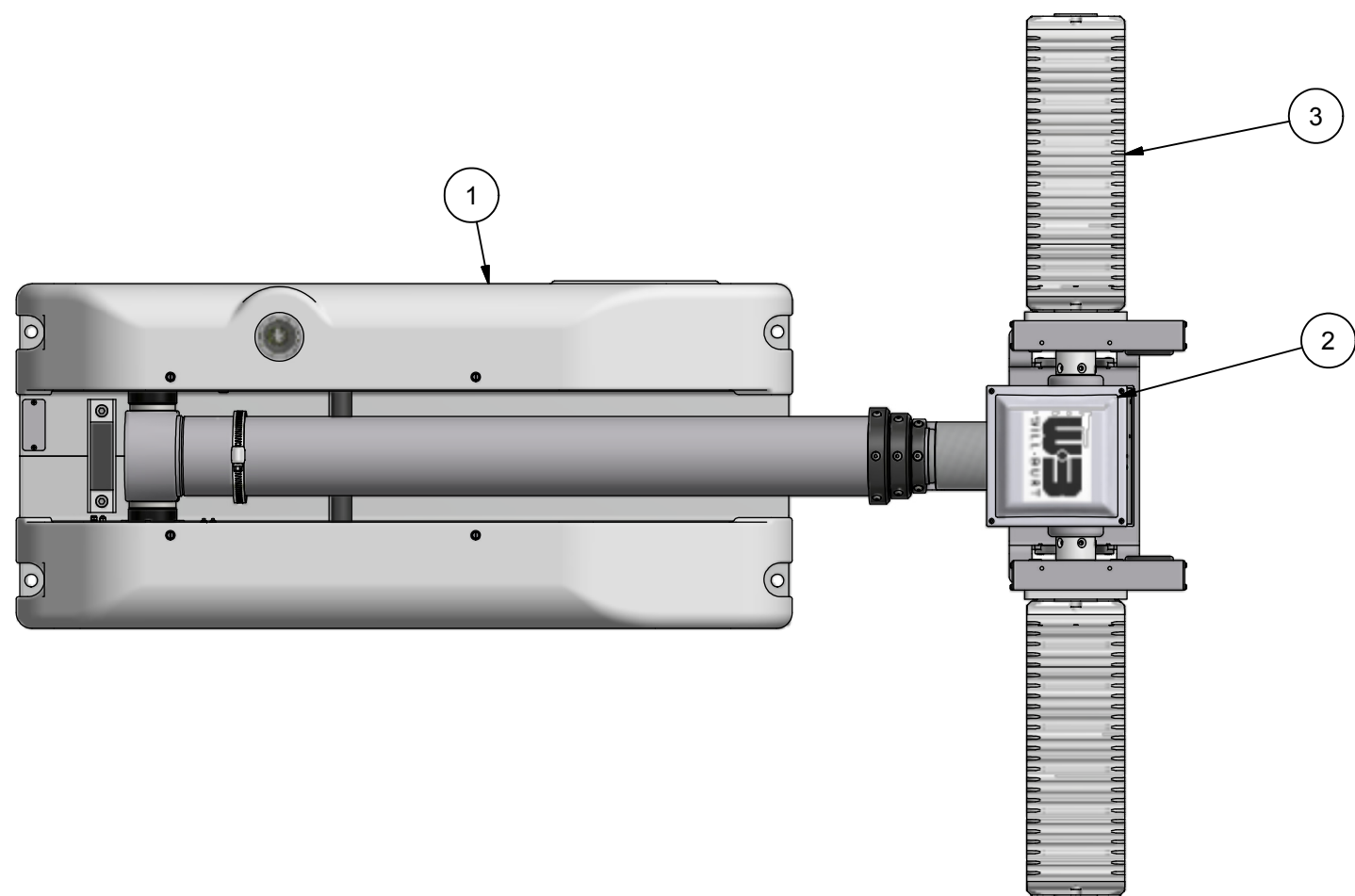


REVISION HISTORY				
ECN	REV	DESCRIPTION	DATE	APPROVED
12152	00	NEW RELEASE	5/5/2014	RCC



NOTES:

- 1 APPLY RTV #739 OR EQUAL TO ALL OPEN HOLES.
- 2 SEE WIRING DIAGRAM 46066 FOR ALL UNITS.
- 3 SET LIGHT BARS HOME POSITION PARALLEL TO BASE PLATE WHEN STOWED.

BOM				
ITEM	QTY	PART NUMBER	DESCRIPTION	
1	1	4522001	BASE ASSEMBLY, 7.5 CLR	
2	1	4548301	NSC RCP, LIGHTS ONLY	
3	1	5048101	KIT, LIGHT NS XL LED 250W 2X125 12/24VDC	
4	1	4558901	NSC LABEL KIT (NOT SHOWN)	
5	1	TP-4602001	MANUAL, NS 1.8/2.3, CE, CD VERSION (NOT SHOWN)	

APPROX. WT:100.6 lbmass

THIRD ANGLE PROJECTION



UNLESS OTHERWISE SPECIFIED  
DIMENSIONS ARE IN INCHES.

TOLERANCES ON DECIMALS    ANGLES  
 0 = ± 0.030                      ± 1/2°  
 00 = ± 0.010  
 000 = ± 0.005

FRACTIONAL ± 1/64"

1. ALL INSIDE EDGES TO HAVE  
.005" TO .035" FILLETS.  
 2. ALL OUTSIDE EDGES TO HAVE  
.005" TO .015" CHAMFER OR RADIUS.

125 ON ALL MACHINED SURFACES

**PROPRIETARY AND CONFIDENTIAL**  
 THE INFORMATION CONTAINED IN THIS  
 DRAWING IS THE SOLE PROPERTY OF THE  
 WILL-BURT COMPANY ANY REPRODUCTION  
 IN PART OR WHOLE WITHOUT THE WRITTEN  
 PERMISSION OF THE WILL-BURT COMPANY IS  
 PROHIBITED.

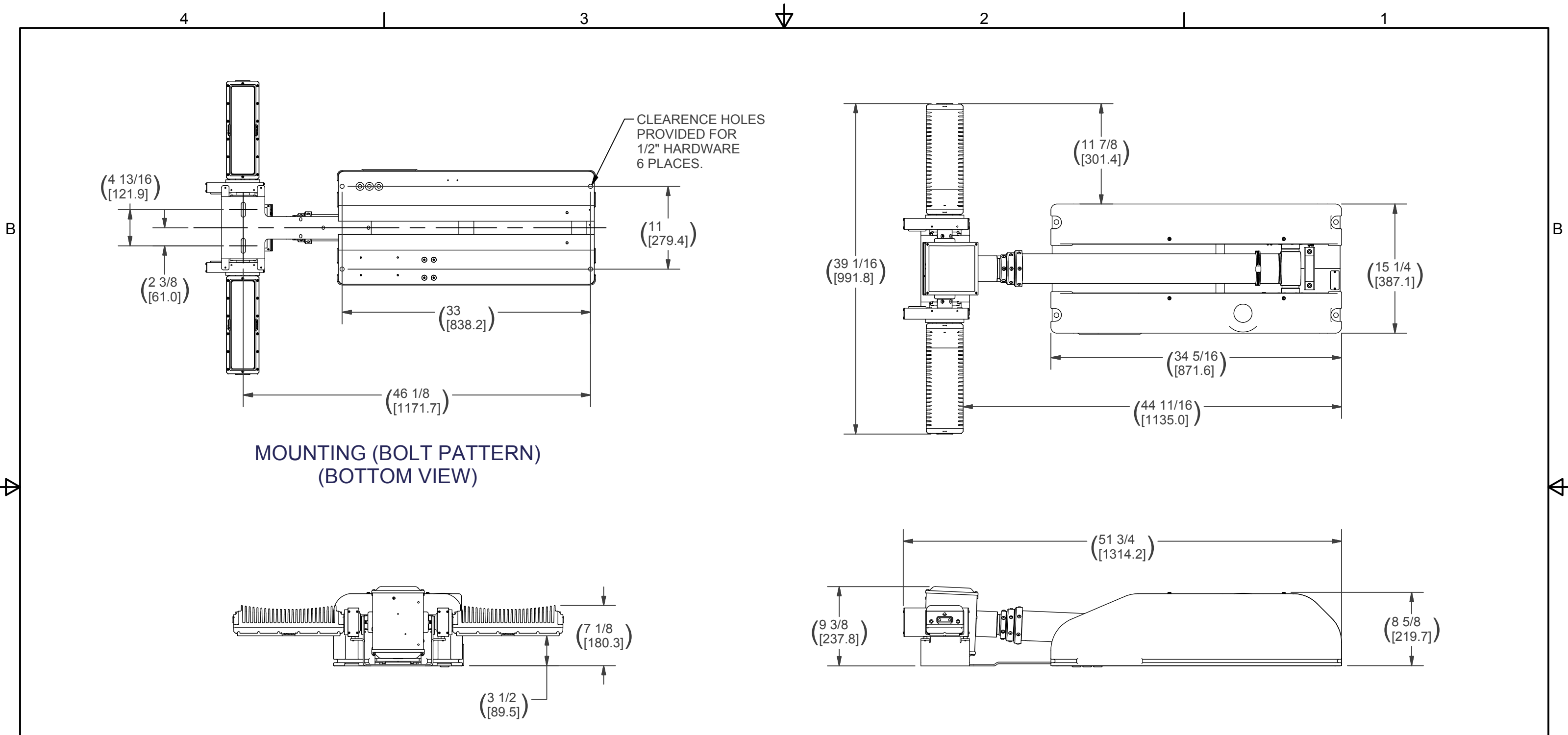
**WB** AN EMPLOYEE OWNED COMPANY  
 WILL-BURT                      ORRVILLE, OH

TITLE  
**NSC 2.3 250 2X125W NS-XL  
 12/24 WHT**

APPROVALS	DATE
DRAWN RCC	5/5/2014
CHECKED	

SIZE	DWG NO	REV
B	720700125	00

PN: SEE TABLE ABOVE      SHEET 1 OF 2



ALL SPECIFICATIONS SUBJECT TO CHANGE WITHOUT NOTICE.

NOTES:  
PRIMARY DIMENSIONS INCHES  
SECONDARY DIMENSIONS MILLIMETERS.

APPROX. WT:100.6 lbmass

THIRD ANGLE PROJECTION



UNLESS OTHERWISE SPECIFIED DIMENSIONS ARE IN INCHES.

TOLERANCES ON DECIMALS    ANGLES  
 0 = ± 0.030                    ± 1/2°  
 00 = ± 0.010  
 000 = ± 0.005

FRACTIONAL ± 1/64"

1. ALL INSIDE EDGES TO HAVE .005" TO .035" FILLETS.  
 2. ALL OUTSIDE EDGES TO HAVE .005" TO .015" CHAMFER OR RADIUS.

$\sqrt[125]{}$  ON ALL MACHINED SURFACES

**PROPRIETARY AND CONFIDENTIAL**  
 THE INFORMATION CONTAINED IN THIS DRAWING IS THE SOLE PROPERTY OF THE WILL-BURT COMPANY ANY REPRODUCTION IN PART OR WHOLE WITHOUT THE WRITTEN PERMISSION OF THE WILL-BURT COMPANY IS PROHIBITED.

**WB** AN EMPLOYEE OWNED COMPANY  
 WILL-BURT ORRVILLE, OH

TITLE  
**NSC 2.3 250 2X125W NS-XL  
 12/24 WHT**

APPROVALS	DATE
DRAWN RCC	5/5/2014
CHECKED	

SIZE B	DWG NO 720700125	REV 00
PN: SEE TABLE ABOVE		SHEET 2 OF 2