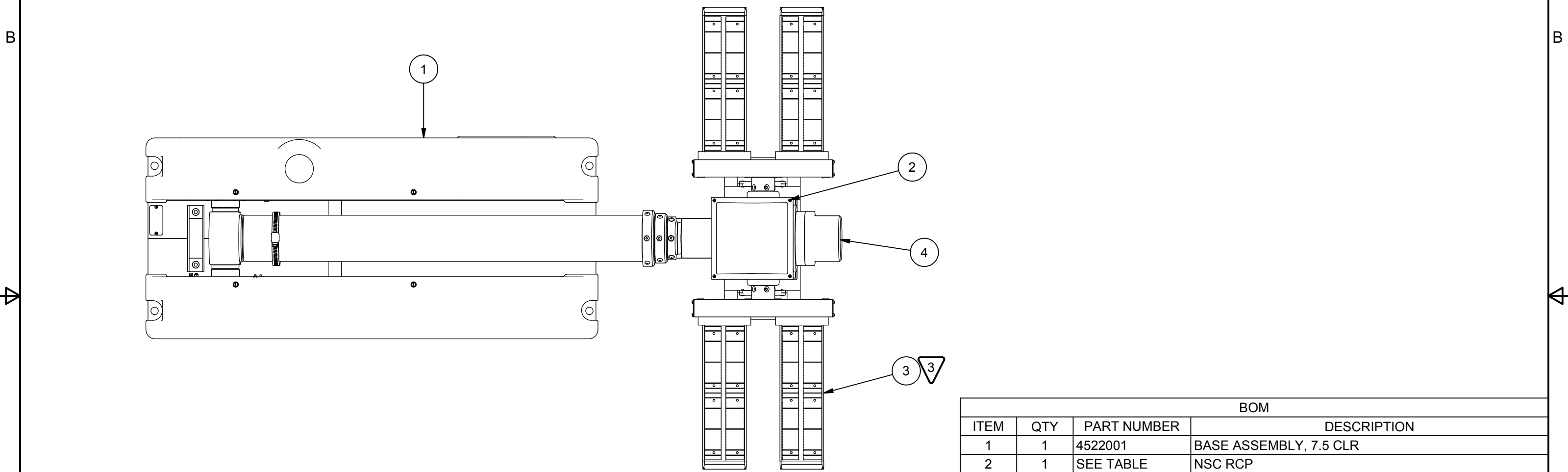


Table					REVISION HISTORY				
PART NUMBER	DESCRIPTION	ITEM-2 P/N	ITEM-3 P/N	ITEM-4 P/N	ECN	REV	DESCRIPTION	DATE	APPROVED
720711740	NS 2.3-640-4 LED 24VDC-FRC ONLY	4548301	4596702	NONE	10621	00	INITIAL RELEASE	7/19/2011	RCC/
720711741	NS 2.3-640-4 LED 24VDC-FRC w/RED STROBE ONLY	4548305	4596702	4481602	10758	A	Added Assembly 720711741	10/24/2011	RCC/
720711640	NS 2.3-640-4 LED 24VDC-FRC	4548301	4596702	NONE	10879	B	Added Assembly 720711640	1/16/2012	RCC/
720711743	NS 2.3-640-4 LED 24VDC-FRC w/GREEN STROBE ONLY	4548305	4596702	4481603	11555	C	Added Assembly 720711743	4/2/2013	DAS/



BOM			
ITEM	QTY	PART NUMBER	DESCRIPTION
1	1	4522001	BASE ASSEMBLY, 7.5 CLR
2	1	SEE TABLE	NSC RCP
3	1	SEE TABLE	FRC LED 4 LT, 640W(4X160W 24VDC) WHT
4	1	SEE TABLE	STROBE LIGHT KIT
5	1	4558901	NSC LABEL KIT (NOT SHOWN)
6	1	900600	MAST OIL (SHIP LOOSE) (NOT SHOWN)
7	1	TP-4602001	MANUAL, NS 1.8/2.3, CE, CD VERSION (NOT SHOWN)

NOTES:

- 1 APPLY RTV #739 OR EQUAL TO ALL OPEN HOLES.
- 2 SEE WIRING DIAGRAM 46066 FOR ALL UNITS.
- 3 SET LIGHT BARS HOME POSITION PARALLEL TO BASE PLATE WHEN STOWED.

UNLESS OTHERWISE SPECIFIED DIMENSIONS ARE IN INCHES.

TOLERANCES ON DECIMALS ANGLES
0 = ± 0.030 ± 1/2°
00 = ± 0.010
000 = ± 0.005

FRACTIONAL ± 1/64"
1. ALL INSIDE EDGES TO HAVE .005" TO .035" FILLETS.
2. ALL OUTSIDE EDGES TO HAVE .005" TO .015" CHAMFER OR RADIUS.
125X ON ALL MACHINED SURFACES

APPROX. WT:N/A

THIRD ANGLE PROJECTION

PROPRIETARY AND CONFIDENTIAL

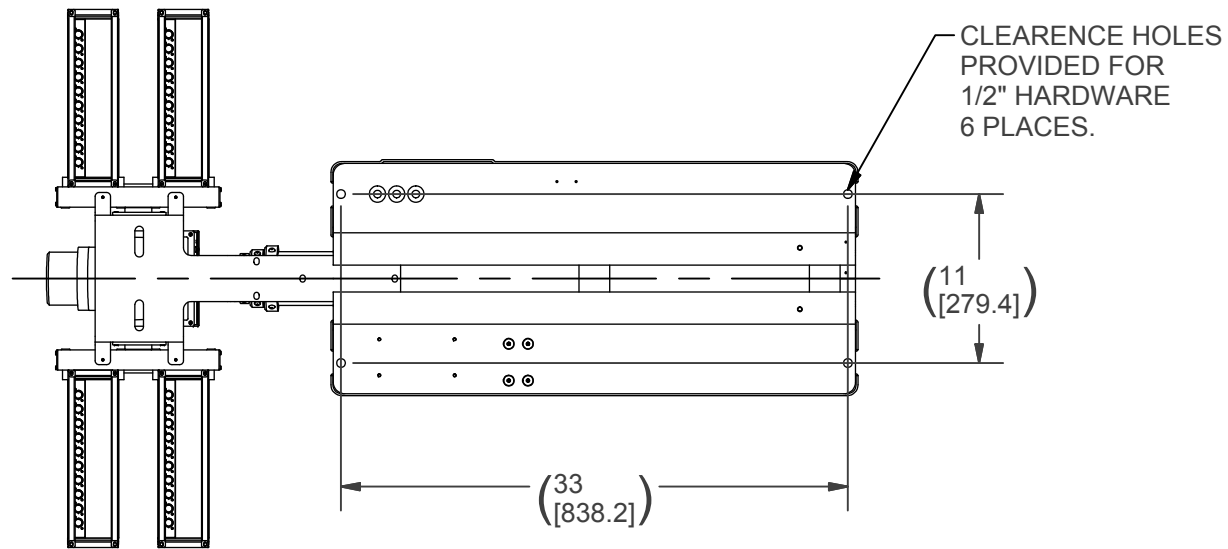
THE INFORMATION CONTAINED IN THIS DRAWING IS THE SOLE PROPERTY OF THE WILL-BURT COMPANY ANY REPRODUCTION IN PART OR WHOLE WITHOUT THE WRITTEN PERMISSION OF THE WILL-BURT COMPANY IS PROHIBITED.

APPROVALS	DATE
DRAWN RCC	7/19/2011
CHECKED	

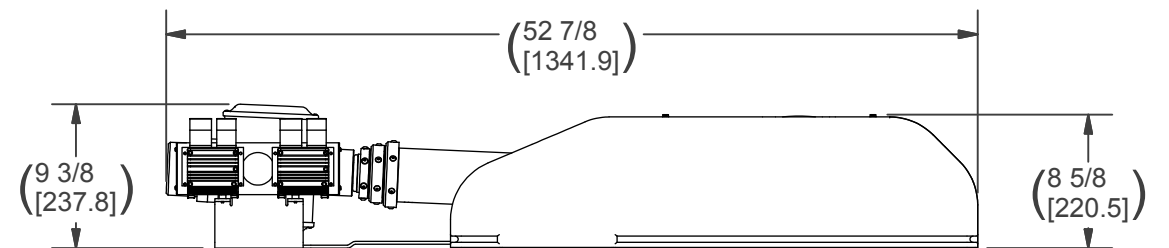
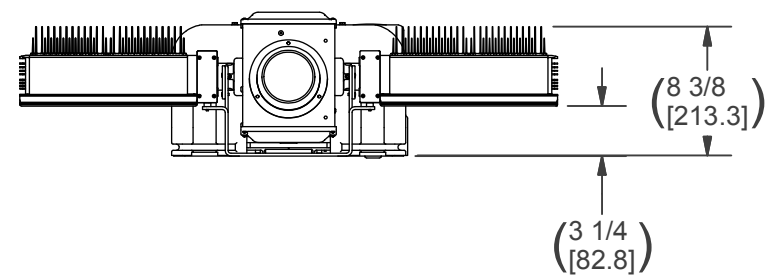
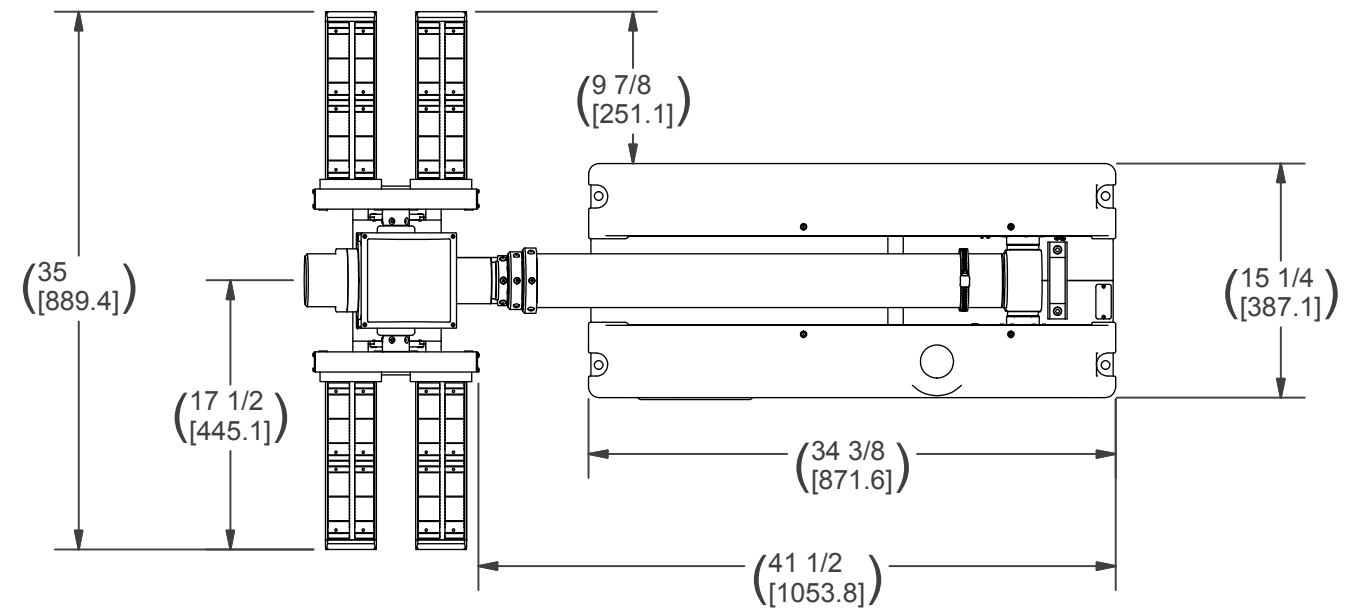
WILL-BURT AN EMPLOYEE OWNED COMPANY
ORRVILLE, OH

TITLE
NS 2.3 4-LIGHT 160W FRC LED

SIZE B	DWG NO 720711740	REV C
PN: 720711740	SHEET 1 OF 2	



MOUNTING (BOLT PATTERN)
(BOTTOM VIEW)



UNLESS OTHERWISE SPECIFIED
DIMENSIONS ARE IN INCHES.

TOLERANCES ON DECIMALS ANGLES
 0 = ± 0.030 ± 1/2°
 00 = ± 0.010
 000 = ± 0.005

FRACTIONAL ± 1/64"
 1. ALL INSIDE EDGES TO HAVE
 .005" TO .035" FILLETS.
 2. ALL OUTSIDE EDGES TO HAVE
 .005" TO .015" CHAMFER OR RADIUS.
 125° ON ALL MACHINED SURFACES

APPROX. WT: N/A

THIRD ANGLE PROJECTION

PROPRIETARY AND CONFIDENTIAL

THE INFORMATION CONTAINED IN THIS
DRAWING IS THE SOLE PROPERTY OF THE
WILL-BURT COMPANY ANY REPRODUCTION
IN PART OR WHOLE WITHOUT THE WRITTEN
PERMISSION OF THE WILL-BURT COMPANY IS
PROHIBITED.

APPROVALS	DATE
DRAWN RCC	7/19/2011
CHECKED	

WB AN EMPLOYEE OWNED COMPANY
WILL-BURT ORRVILLE, OH

TITLE
**NS 2.3 4-LIGHT 160W
FRC LED**

SIZE B	DWG NO 720711740	REV C
PN: 720711740	SHEET 2 OF 2	