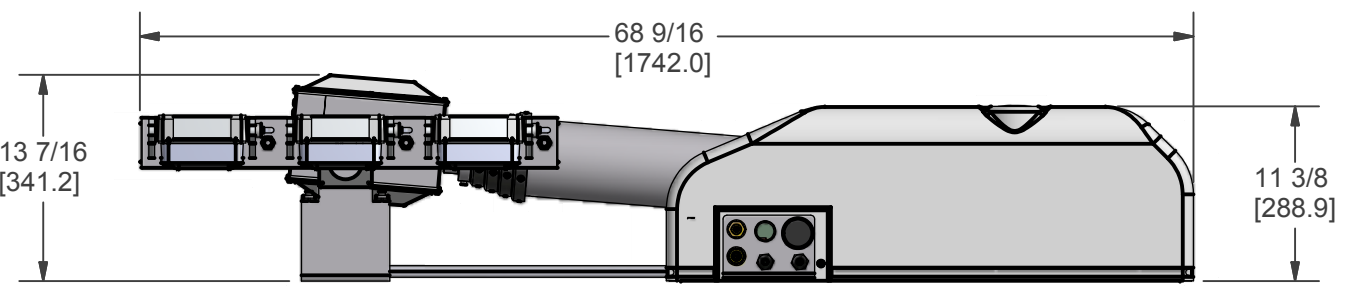
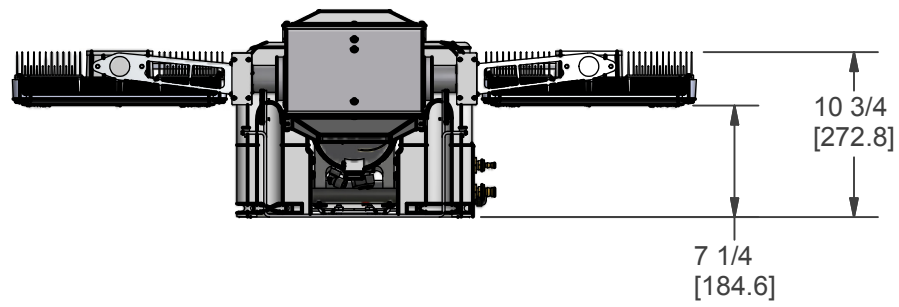
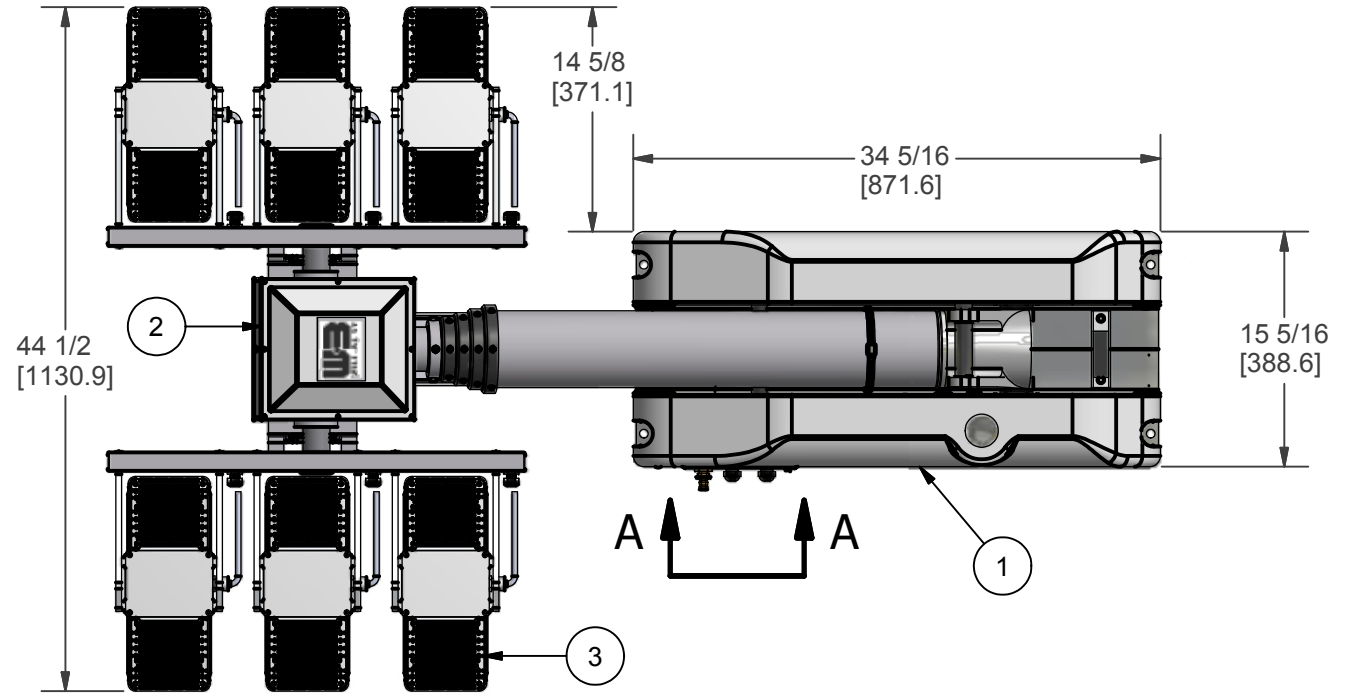


ASSEMBLY NUMBER	DESCRIPTION	ITEM-3
721079000	NS 3.0 1380 6X230 SPC LED 120VAC	4742002
721079001	NS 3.0 1380 6X230 SPC LED 240VAC	4742001

REVISION HISTORY				
ECN	REV	DESCRIPTION	DATE	BY/APPR
11773	00	INITIAL RELEASE	9/13/2013	RCC\

NOTES:

- 1 APPLY RTV #739 OR EQUAL TO ALL OPEN HOLES
- 2 SEE WIRING DIAGRAM WD-47397 FOR WIRING DETAILS
- 3 SET LIGHT BARS HOME POSITION PARALLEL TO BASE PLATE WHEN STOWED
- 4 APPLY LOCTITE #242 OR EQUAL TO ALL THREADS UNLESS OTHERWISE NOTED
- 5 APPLY A COAT OF SILICONE GREASE TO RCP MOTOR BORES PRIOR TO SHAFTS BEING INSTALLED
- 6 INSTALL GROUND WIRE ASSEMBLY TO BOARD AND RCP HOUSING



NOTES:
SECONDARY DIMENSIONS - MILLIMETERS NOTED IN BRACKETS

BOM				
ITEM	QTY	PART NUMBER	DESCRIPTION	
1	1	4627603	BASE ASSEMBLY POWERLITE 10 FT CLR	
2	1	4742521	RCP ASSEMBLY NSP STD NO-SHAFTS CLR	
3	1	SEE TABLE	SPECTRA 1380watt KIT	
4	1	4706703	NSP LABEL KIT (NOT SHOWN)	
5	1	4807801	KIT, SHIPPING NSP (NOT SHOWN)	

APPROX. WT:183.3 lbmass



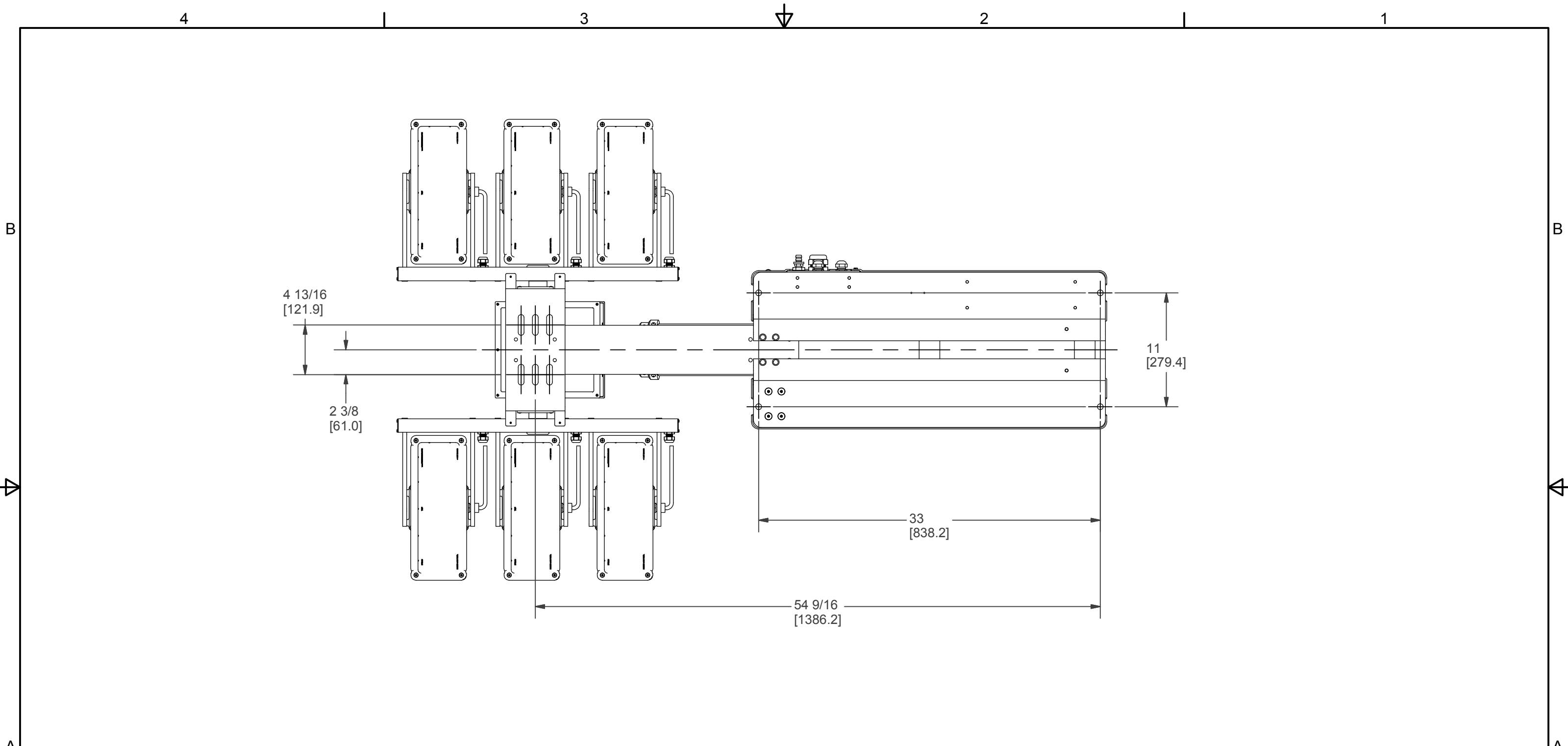
UNLESS OTHERWISE SPECIFIED
DIMENSIONS ARE IN INCHES.
TOLERANCES ON DECIMALS ANGLES
0 = ± 0.030 ± 1/2°
00 = ± 0.015
000 = ± 0.010
FRACTIONAL ± 1/64"
1. ALL INSIDE EDGES TO HAVE
.005" TO .035" FILLETS.
2. ALL OUTSIDE EDGES TO HAVE
.005" TO .015" CHAMFER OR RADIUS.
125√ ON ALL MACHINED SURFACES

PROPRIETARY AND CONFIDENTIAL
THE INFORMATION CONTAINED IN THIS
DRAWING IS THE SOLE PROPERTY OF THE
WILL-BURT COMPANY ANY
REPRODUCTION IN PART OR WHOLE
WITHOUT THE WRITTEN PERMISSION OF
THE WILL-BURT COMPANY IS PROHIBITED.



APPROVALS	DATE
DRAWN RCC	9/13/2013
CHECKED	

TITLE NS 3.0 1380 6X230 SPC LED		
SIZE B	DWG NO 721079000	REV 00
PN: SEE ABOVE	SHEET 1 OF 2	



APPROX. WT:183.3 lbmass

THIRD ANGLE PROJECTION



**UNLESS OTHERWISE SPECIFIED
DIMENSIONS ARE IN INCHES.**
 TOLERANCES ON DECIMALS ANGLES
 0 = ± 0.030 ± 1/2°
 00 = ± 0.015
 000 = ± 0.010
 FRACTIONAL ± 1/64"
 1. ALL INSIDE EDGES TO HAVE
 .005" TO .035" FILLETS.
 2. ALL OUTSIDE EDGES TO HAVE
 .005" TO .015" CHAMFER OR RADIUS.
 125√ ON ALL MACHINED SURFACES

PROPRIETARY AND CONFIDENTIAL
 THE INFORMATION CONTAINED IN THIS
 DRAWING IS THE SOLE PROPERTY OF THE
 WILL-BURT COMPANY ANY
 REPRODUCTION IN PART OR WHOLE
 WITHOUT THE WRITTEN PERMISSION OF
 THE WILL-BURT COMPANY IS PROHIBITED.

WB AN EMPLOYEE OWNED COMPANY
 WILL-BURT ORRVILLE, OH

TITLE
**NS 3.0 1380 6X230 SPC
 LED**

APPROVALS	DATE
DRAWN RCC	9/13/2013
CHECKED	

SIZE	DWG NO	REV
B	721079000	00
PN: SEE ABOVE		SHEET 2 OF 2