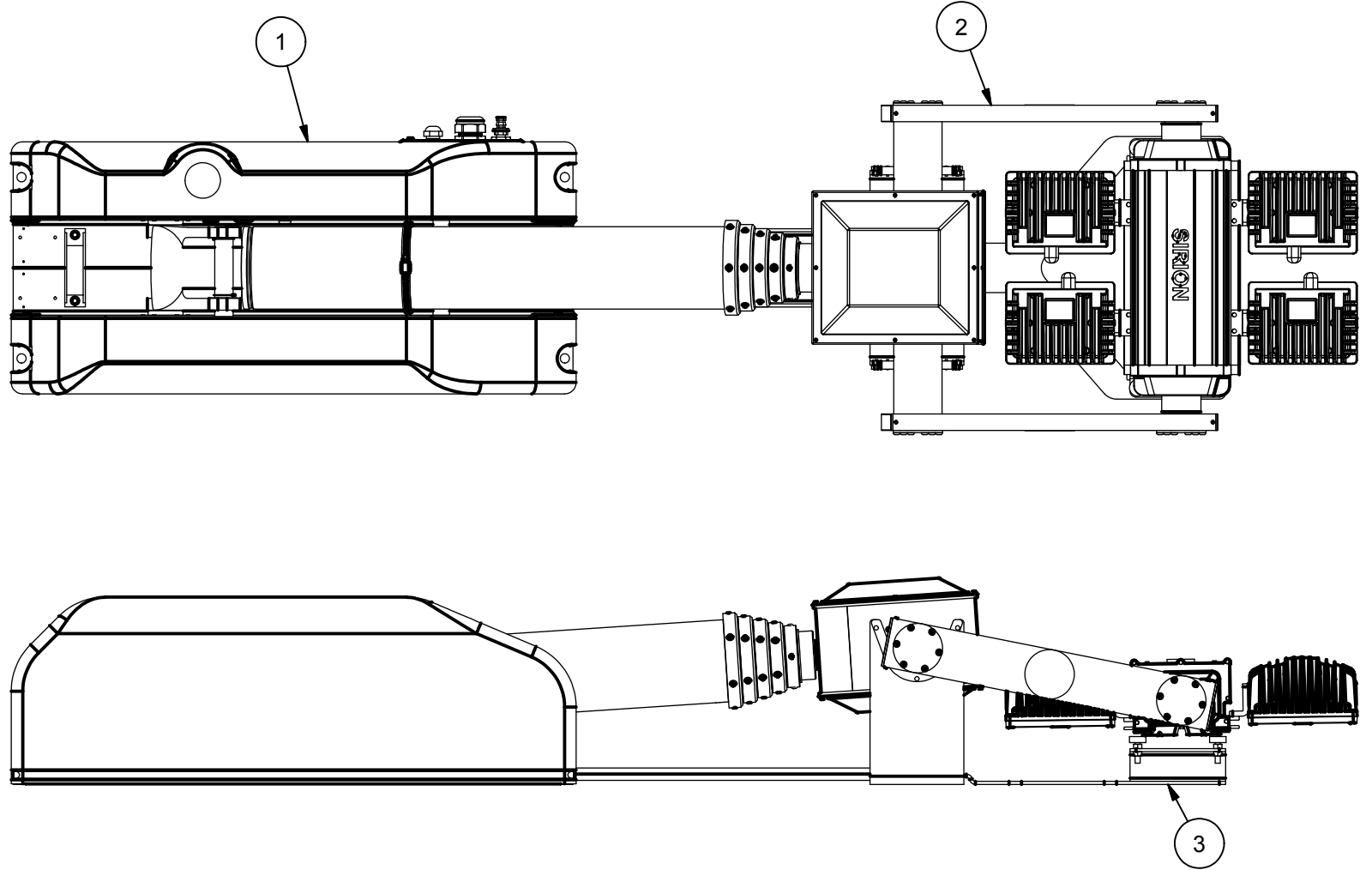


REVISION HISTORY				
ECN	REV	DESCRIPTION	DATE	BY/APPR
14262	00	INITIAL RELEASE	1/11/2019	RCC



BOM			
ITEM	QTY	PART NUMBER	DESCRIPTION
1	1	4822603	BASE ASM POWERLITE PROFILER10 FT CLR
2	1	5582601	PROFILER, SIRION 1320W 120/240VAC
3	1	5583301	PROFILER SUPPORT, NSP SIRION
4	1	4706703	NSP LABEL KIT CE (NOT SHOWN)
5	1	4807801	KIT, SHIPPING NSP (NOT SHOWN)
6	1	WD-46276	WIRING DIAGRAM (NOT SHOWN)

- NOTES:
- 1 APPLY RTV #739 OR EQUAL TO ALL OPEN HOLES
 - 2 SEE WIRING DIAGRAM WD-46276 FOR WIRING DETAILS
 - 3 SET LIGHT BARS HOME POSITION PARALLEL TO BASE PLATE WHEN STOWED
 - 4 APPLY LOCTITE #243 OR EQUAL TO ALL THREADS UNLESS OTHERWISE NOTED
 - 5 APPLY A COAT OF SILICONE GREASE TO RCP MOTOR BORES PRIOR TO SHAFTS BEING INSTALLED
 - 6 INSTALL GROUND WIRE ASSEMBLY TO BOARD AND RCP HOUSING.

APPROX. WT:171.5 lbmass

THIRD ANGLE PROJECTION



UNLESS OTHERWISE SPECIFIED
DIMENSIONS ARE IN INCHES.

TOLERANCES ON DECIMALS ANGLES
 0 = ± 0.030 ± 1/2°
 00 = ± 0.010
 000 = ± 0.005

FRACTIONAL ± 1/64"
 1. ALL INSIDE EDGES TO HAVE
 .005" TO .035" FILLETS.
 2. ALL OUTSIDE EDGES TO HAVE
 .005" TO .015" CHAMFER OR RADIUS.
 125° ON ALL MACHINED SURFACES

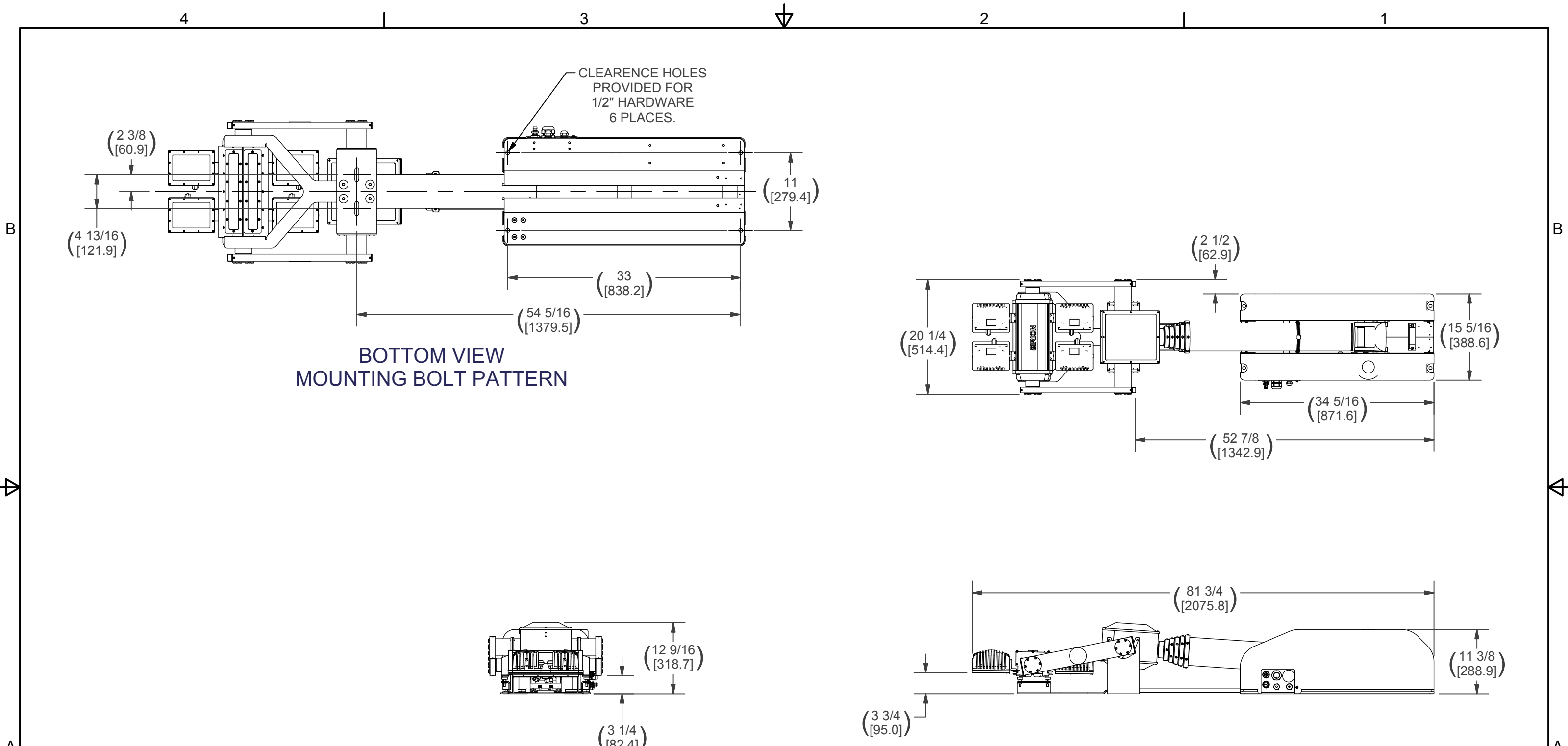
PROPRIETARY AND CONFIDENTIAL
 THE INFORMATION CONTAINED IN THIS
 DRAWING IS THE SOLE PROPERTY OF THE
 WILL-BURT COMPANY ANY REPRODUCTION
 IN PART OR WHOLE WITHOUT THE WRITTEN
 PERMISSION OF THE WILL-BURT COMPANY IS
 PROHIBITED.

WILL-BURT AN EMPLOYEE OWNED COMPANY
 ORRVILLE, OH

TITLE
**NS 3.0 SIRION PROFILER
 120/240VAC**

APPROVALS	DATE
DRAWN RCC	1/11/2019
CHECKED	

SIZE	DWG NO	REV
B	721088011	00
PN: 721088011		SHEET 1 OF 2



NOTES:
SECONDARY DIMENSIONS - MILLIMETERS NOTED IN BRACKETS

APPROX. WT:171.5 lbmass

THIRD ANGLE PROJECTION



UNLESS OTHERWISE SPECIFIED DIMENSIONS ARE IN INCHES.

TOLERANCES ON DECIMALS ANGLES

0 = ± 0.030 ± 1/2°

00 = ± 0.010

000 = ± 0.005

FRACTIONAL ± 1/64"

1. ALL INSIDE EDGES TO HAVE .005" TO .035" FILLETS.

2. ALL OUTSIDE EDGES TO HAVE .005" TO .015" CHAMFER OR RADIUS.

125° ON ALL MACHINED SURFACES

PROPRIETARY AND CONFIDENTIAL	
THE INFORMATION CONTAINED IN THIS DRAWING IS THE SOLE PROPERTY OF THE WILL-BURT COMPANY ANY REPRODUCTION IN PART OR WHOLE WITHOUT THE WRITTEN PERMISSION OF THE WILL-BURT COMPANY IS PROHIBITED.	
APPROVALS	DATE
DRAWN RCC	1/11/2019
CHECKED	

W3 WILL-BURT		AN EMPLOYEE OWNED COMPANY ORRVILLE, OH	
TITLE NS 3.0 SIRION PROFILER 120/240VAC			
SIZE B	DWG NO 721088011	REV 00	
PN: 721088011	SHEET 2 OF 2		