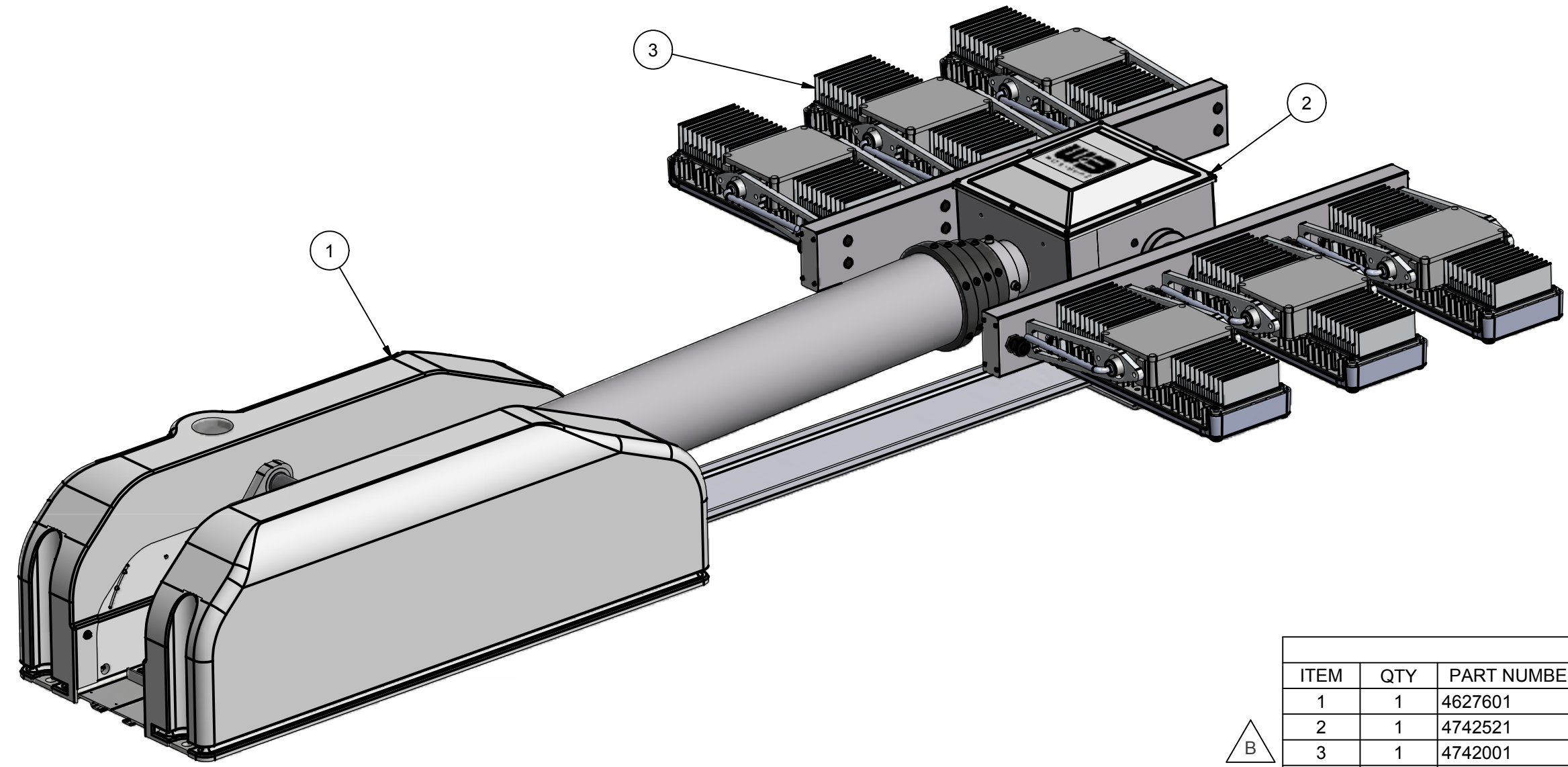


REVISION HISTORY				
ECN	REV	DESCRIPTION	DATE	BY/APPR
10808	00	INITIAL RELEASE	11/15/2011	RCC\
11345	A	RESTRUCTURED BOM	11/09/2012	RCC\
11806	B	4742001 was 4822701	10/02/2013	RCC



BOM				
ITEM	QTY	PART NUMBER	DESCRIPTION	
1	1	4627601	BASE ASSEMBLY NSP	
2	1	4742521	RCP ASSEMBLY NSP STD NO-SHAFTS CLR	
3	1	4742001	SPECTRA 1380 (6X230W) 240V	
4	1	4706701	NSP LABEL KIT (NOT SHOWN)	
6	1	911184	SHIPPING CARTON (NOT SHOWN)	
7	1	TP-4723701	NSP MANUAL CD (NOT SHOWN)	
8	1	WD-46276	WIRING DIAGRAM	

**UNLESS OTHERWISE SPECIFIED DIMENSIONS ARE IN INCHES.**

TOLERANCES ON DECIMALS    ANGLES  
 0 = ± 0.030                      ± 1/2°  
 00 = ± 0.010  
 000 = ± 0.005

FRACTIONAL ± 1/64"  
 1. ALL INSIDE EDGES TO HAVE .005" TO .035" FILLETS.  
 2. ALL OUTSIDE EDGES TO HAVE .005" TO .015" CHAMFER OR RADIUS.

1/25" ON ALL MACHINED SURFACES

**PROPRIETARY AND CONFIDENTIAL**

THE INFORMATION CONTAINED IN THIS DRAWING IS THE SOLE PROPERTY OF THE WILL-BURT COMPANY ANY REPRODUCTION IN PART OR WHOLE WITHOUT THE WRITTEN PERMISSION OF THE WILL-BURT COMPANY IS PROHIBITED.

APPROVALS	DATE
DRAWN RCC	11/4/2011
CHECKED	

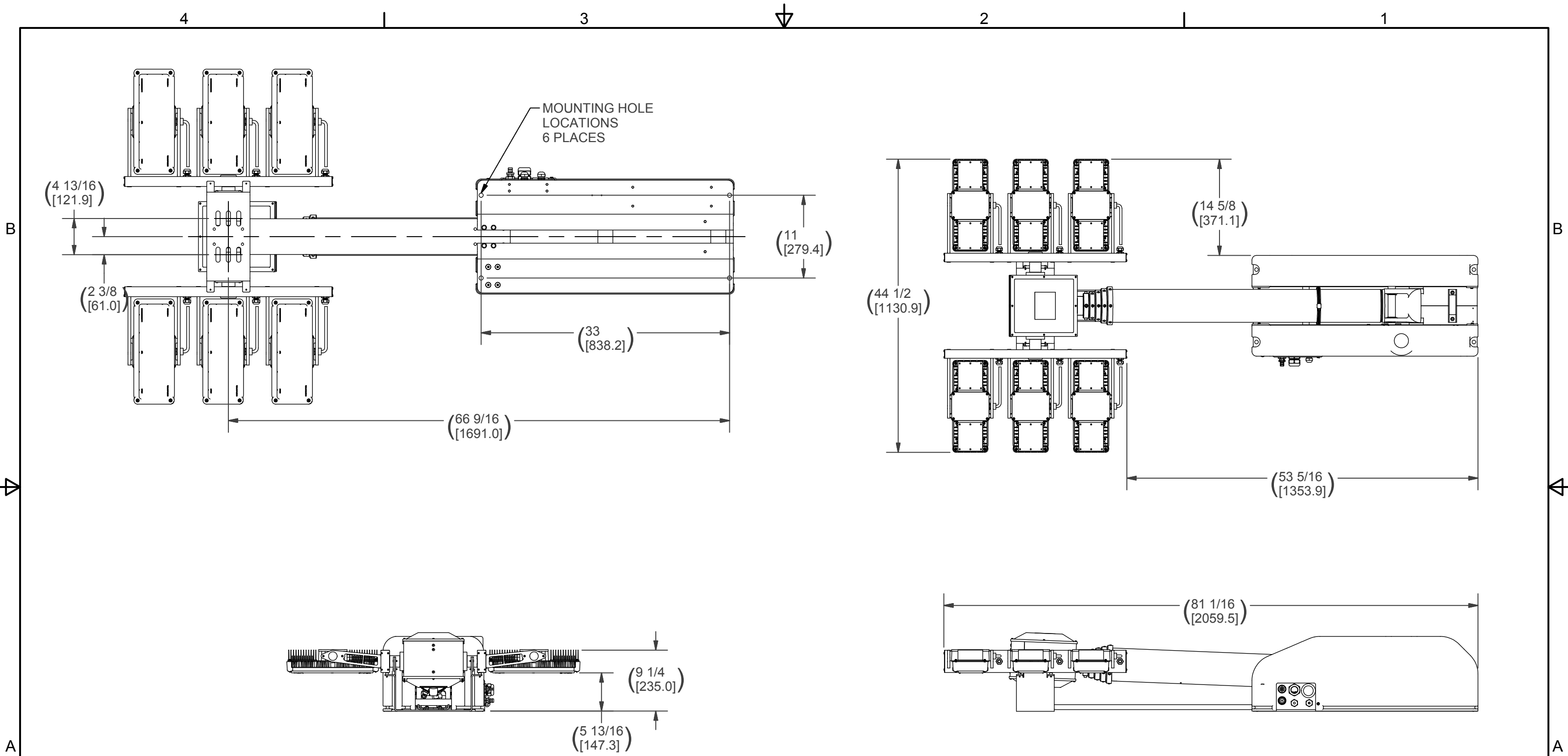
**WILL-BURT** AN EMPLOYEE OWNED COMPANY  
ORRVILLE, OH

TITLE  
**NS 4.5-1380 6-230W SPC LED 240V**

SIZE	DWG NO	REV
B	721579002	B

PN: 721579002      SHEET 1 OF 2





**UNLESS OTHERWISE SPECIFIED  
DIMENSIONS ARE IN INCHES.**

TOLERANCES ON DECIMALS    ANGLES  
 0 = ± 0.030                    ± 1/2°  
 00 = ± 0.010  
 000 = ± 0.005


FRACTIONAL ± 1/64"  
 1. ALL INSIDE EDGES TO HAVE  
 .005" TO .035" FILLETS.  
 2. ALL OUTSIDE EDGES TO HAVE  
 .005" TO .015" CHAMFER OR RADIUS.

$\sqrt{125}$  ON ALL MACHINED SURFACES

**PROPRIETARY AND CONFIDENTIAL**

THE INFORMATION CONTAINED IN THIS DRAWING IS THE SOLE PROPERTY OF THE WILL-BURT COMPANY ANY REPRODUCTION IN PART OR WHOLE WITHOUT THE WRITTEN PERMISSION OF THE WILL-BURT COMPANY IS PROHIBITED.

APPROVALS	DATE
DRAWN RCC	11/4/2011
CHECKED	

 <b>AN EMPLOYEE OWNED COMPANY</b> ORRVILLE, OH	
<b>TITLE</b> NS 4.5-1380 6-230W SPC LED 240V	
<b>SIZE</b> B	<b>DWG NO</b> 721579002
<b>PN:</b> 721579002	<b>REV</b> B
SHEET 2 OF 2	