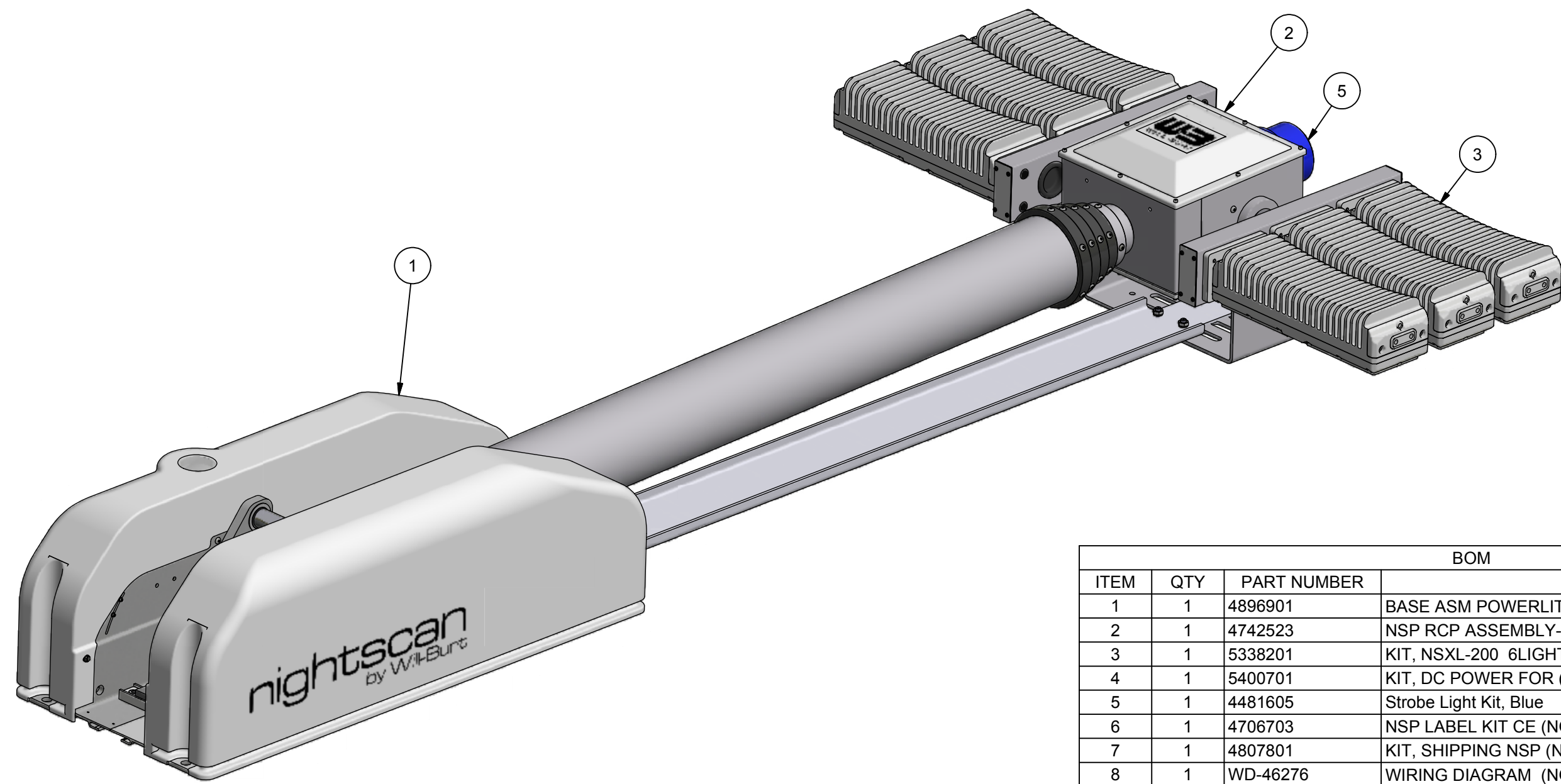


REVISION HISTORY				
ECN	REV	DESCRIPTION	DATE	BY/APPR
13977	00	INITIAL RELEASE	4/26/2018	RCC



BOM			
ITEM	QTY	PART NUMBER	DESCRIPTION
1	1	4896901	BASE ASM POWERLITE 6.0 CLR
2	1	4742523	NSP RCP ASSEMBLY-STROBE W/O SHAFTS
3	1	5338201	KIT, NSXL-200 6LIGHTS 750W 24-60VDC
4	1	5400701	KIT, DC POWER FOR (6) NSXL-200 (1200w) (NOT SHOWN)
5	1	4481605	Strobe Light Kit, Blue
6	1	4706703	NSP LABEL KIT CE (NOT SHOWN)
7	1	4807801	KIT, SHIPPING NSP (NOT SHOWN)
8	1	WD-46276	WIRING DIAGRAM (NOT SHOWN)

UNLESS OTHERWISE SPECIFIED DIMENSIONS ARE IN INCHES.
TOLERANCES ON DECIMALS ANGLES
0 = ± 0.030 ± 1/2°
00 = ± 0.010
000 = ± 0.005
FRACTIONAL ± 1/64"
1. ALL INSIDE EDGES TO HAVE .005" TO .035" FILLETS.
2. ALL OUTSIDE EDGES TO HAVE .005" TO .015" CHAMFER OR RADIUS.
125√ ON ALL MACHINED SURFACES

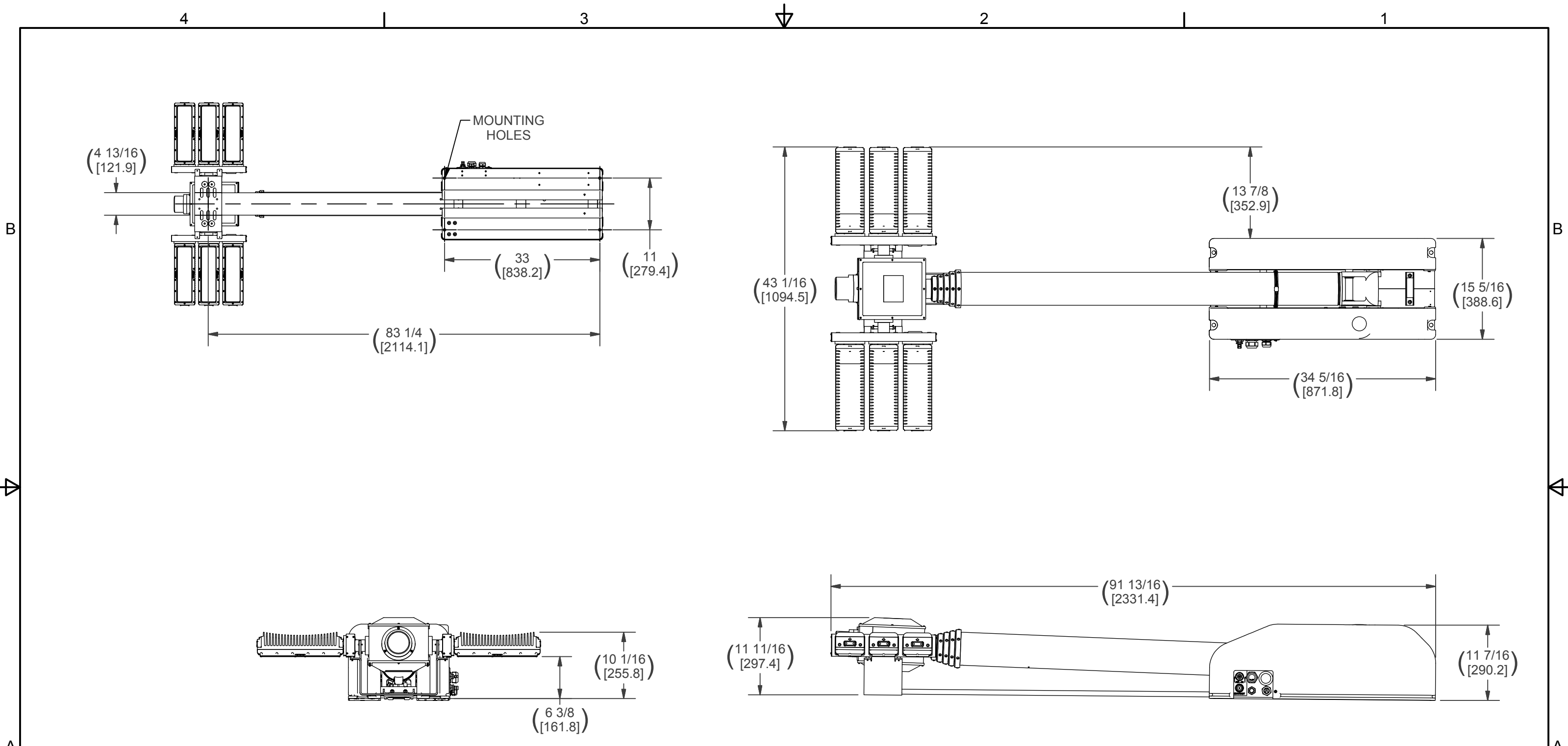
PROPRIETARY AND CONFIDENTIAL
THE INFORMATION CONTAINED IN THIS DRAWING IS THE SOLE PROPERTY OF THE WILL-BURT COMPANY ANY REPRODUCTION IN PART OR WHOLE WITHOUT THE WRITTEN PERMISSION OF THE WILL-BURT COMPANY IS PROHIBITED.

WILL-BURT AN EMPLOYEE OWNED COMPANY
ORRVILLE, OH

TITLE
NSX 6.0 750W 6X125 NSXL INPUT-120VAC

APPROVALS	DATE	SIZE	DWG NO	REV
DRAWN RCC	4/26/2018	B	722069101	00
CHECKED		PN:	722069101	SHEET 1 OF 2

APPROX. WT:206.6 lbmass
THIRD ANGLE PROJECTION



APPROX. WT:206.6 lbmass

THIRD ANGLE PROJECTION



UNLESS OTHERWISE SPECIFIED DIMENSIONS ARE IN INCHES.
 TOLERANCES ON DECIMALS ANGLES
 0 = ± 0.030 ± 1/2°
 00 = ± 0.010
 000 = ± 0.005
 FRACTIONAL ± 1/64"
 1. ALL INSIDE EDGES TO HAVE .005" TO .035" FILLETS.
 2. ALL OUTSIDE EDGES TO HAVE .005" TO .015" CHAMFER OR RADIUS.
 125√ ON ALL MACHINED SURFACES

PROPRIETARY AND CONFIDENTIAL
 THE INFORMATION CONTAINED IN THIS DRAWING IS THE SOLE PROPERTY OF THE WILL-BURT COMPANY ANY REPRODUCTION IN PART OR WHOLE WITHOUT THE WRITTEN PERMISSION OF THE WILL-BURT COMPANY IS PROHIBITED.

W3 AN EMPLOYEE OWNED COMPANY
 WILL-BURT ORRVILLE, OH

TITLE
NSX 6.0 750W 6X125 NSXL INPUT-120VAC

APPROVALS	DATE
DRAWN RCC	4/26/2018
CHECKED	

SIZE	DWG NO	REV
B	722069101	00
PN: 722069101		SHEET 2 OF 2