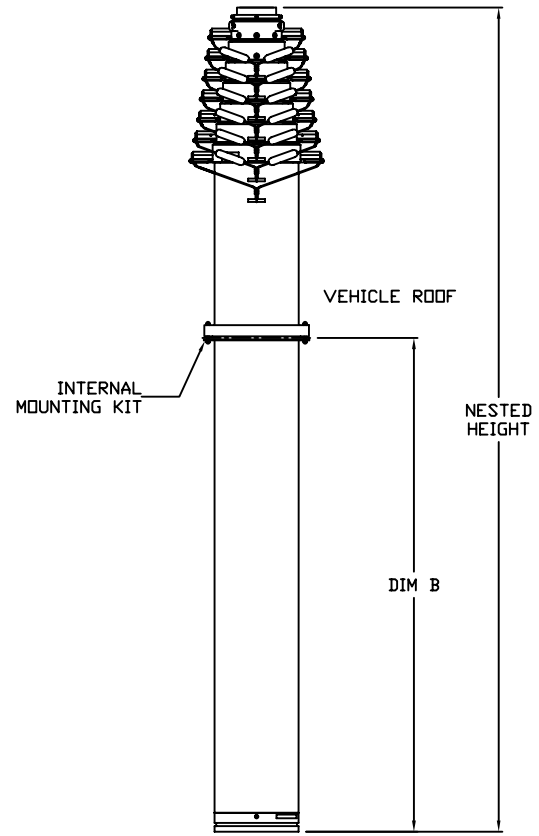
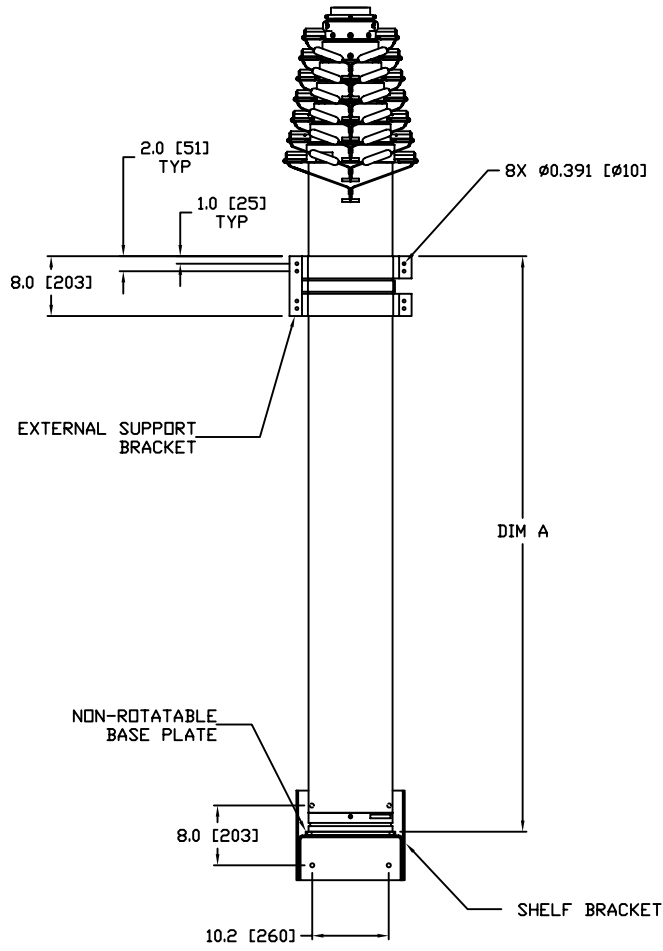
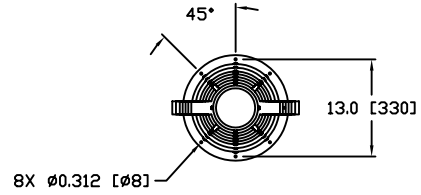
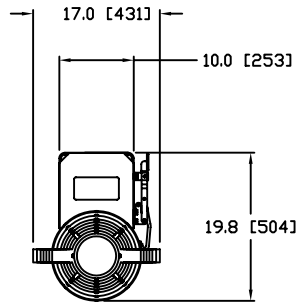




## Super Heavy Duty Locking Mast Installation Dimensions

Model	9-50	10.3-60	10.8-76	15.7-100
Payload capacity	450lb/205kg	450lb/205kg	200lb/91kg	450lb/205kg
Extended height	50ft 5"/15.3m	60ft 5"/18.3m	76ft 2"/23m	100ft 5"/30.3m
Nested height	9ft 2"/2.8m	10ft 3"/3.15m	10ft 9"/3.3m	15ft 8"/4.8m
Approx. Mast Weight	500lb/227kg	500lb/227kg	536lb/245kg	790lb/361kg
Number of sections	8	8	10	8
Tube diameter	11.25-5.25"/288-135mm	11.25-5.25"/288-135mm	11.25-3.75"/288-96mm	11.25-5.25"/288-135mm
Collar type	Locking T Handles	Locking T Handles	Locking T Handles	Locking T Handles Trip Lines
Max. operating pressure	35 PSIG (2.4 bar)	35 PSIG (2.4 bar)	35 PSIG (2.4 bar)	35 PSIG (2.4 bar)
Installation Dimensions "A" min.	76.5in/1943mm	91.5in/2324mm	91.5in/2324mm	153.5in/3899mm
Installation Dimensions "A" max.	85in/2159mm	100in/2540mm	100in/2540mm	162in/4115mm
Installation Dimensions "B" min.	69.5in/1765mm	84.5in/2146mm	84.5in/2146mm	--
Installation Dimensions "B" max.	84.5in/2146mm	99.5in/2527mm	99.5in/2527mm	--



THIS DOCUMENT CONTAINS PROPRIETARY INFORMATION AND SHALL NOT BE USED OR REPRODUCED IN WHOLE OR IN PART WITHOUT THE WRITTEN PERMISSION OF THE WILL-BURT COMPANY.	<b>WILL-BURT</b> AN EMPLOYEE OWNED COMPANY ORRVILLE, OHIO
	NEXT ASS'Y DWG. No. SUPER HEAVY DUTY LOCKING MAST ASSY