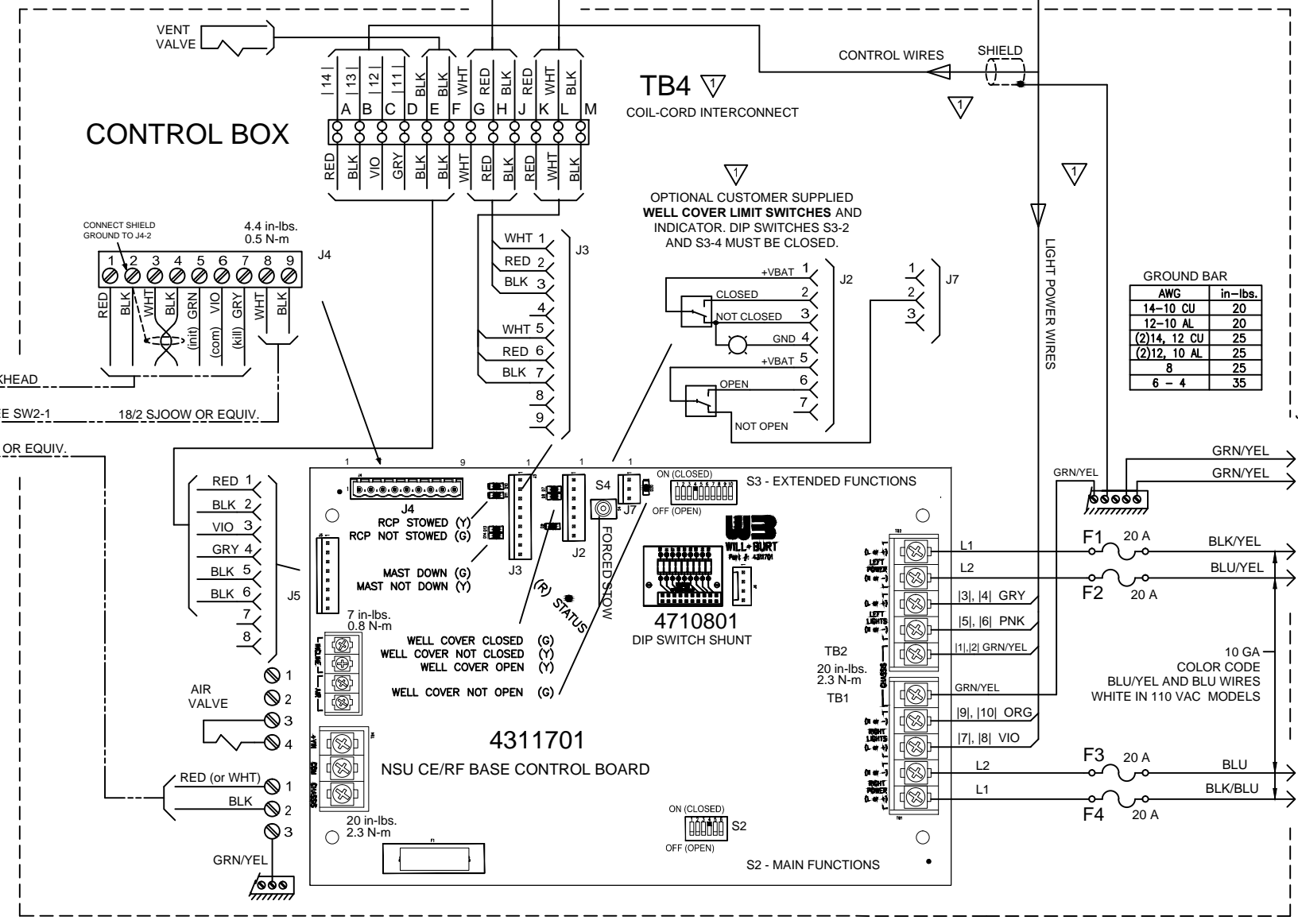
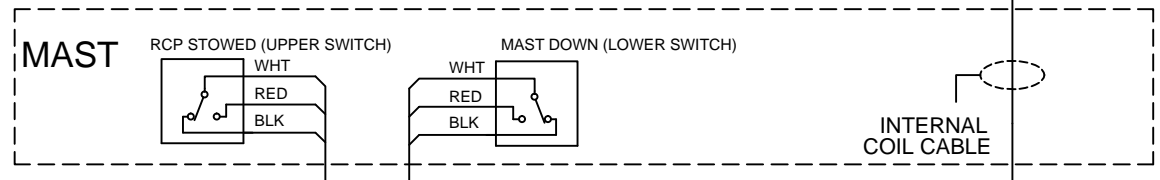
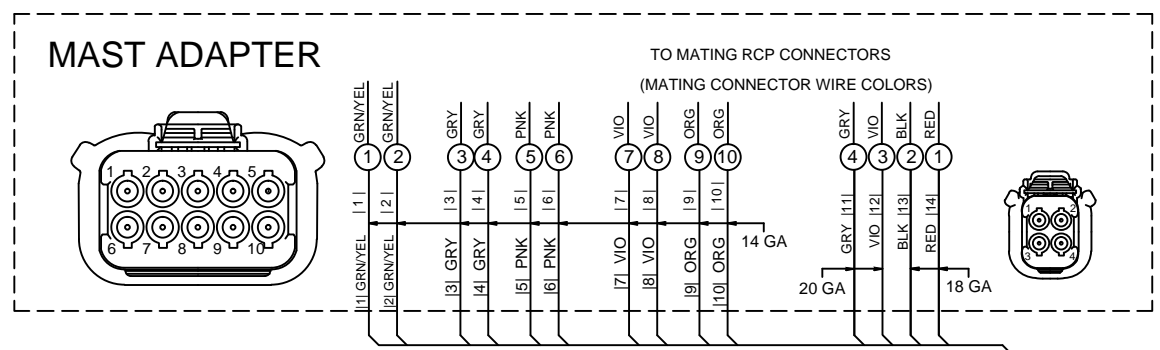


REVISIONS				
ECN	REV	DESCRIPTION	DATE	BY/APPVL
12261	E	UPDATE S3 FUNCTION TABLE FOR 7.3 SOFTWARE	06-25-14	DJB/JLK
12354	F	SHOW INSTALLER WIRING FOR HHRC WITH E-STOP	08-28-14	DJB/JLK
12643	G	REMOVE DC CONNECTOR, CHG TABLE 1	03-31-15	DJB/AW

TABLE 1 - CONTROLLER WIRING

APPLICATION	MODEL	DRAWING
HHRC or PANEL MOUNT w/E-STOP	BOTH	WD-72312
WIRELESS J-BOX	POWERLITE	WD-72307



NOTES:  
1. INSTALLER CONNECTIONS.

AWG	in-lbs.
14-10 CU	20
12-10 AL	20
(2)14, 12 CU	25
(2)12, 10 AL	25
8	25
6 - 4	35

BASE DIP SWITCH S3: EXTENDED FUNCTIONS		
POS	OFF (OPEN)	ON (CLOSED)
1	NO D-TEC	D-TEC PRESENT
2	NO WELL COVER	WELL COVER
4	-	DEFAULT
8	-	+5 SEC. UP TO RCP ACTIVE
9	-	+10 SEC. UP TO RCP ACTIVE
3, 5-7, 10	- NOT USED	

BASE DIP SWITCH S2: MAIN FUNCTIONS		
POS	OFF (OPEN)	ON (CLOSED)
1	J4 8,9 OPEN WHEN ACTIVE	J4 8,9 CLOSED WHEN ACTIVE
2	NFPA MODE	STANDARD
3	RCP	NO RCP
4	ROOF MOUNT	VERTICAL
5	UNUSED	UNUSED
6	NORMAL	DO NOT USE

CONTROL LINES FROM BULKHEAD  
"MAST ACTIVE" CONTACTS SEE SW2-1  
DC BOARD POWER 14/2 SJOOW OR EQUIV.



CONNECT SHIELD GROUND TO J4-2  
4.4 in-lbs. 0.5 N-m

7 in-lbs. 0.8 N-m

20 in-lbs. 2.3 N-m

20 in-lbs. 2.3 N-m

20 in-lbs. 2.3 N-m

20 in-lbs. 2.3 N-m

20 in-lbs. 2.3 N-m

20 in-lbs. 2.3 N-m

20 in-lbs. 2.3 N-m

20 in-lbs. 2.3 N-m

20 in-lbs. 2.3 N-m

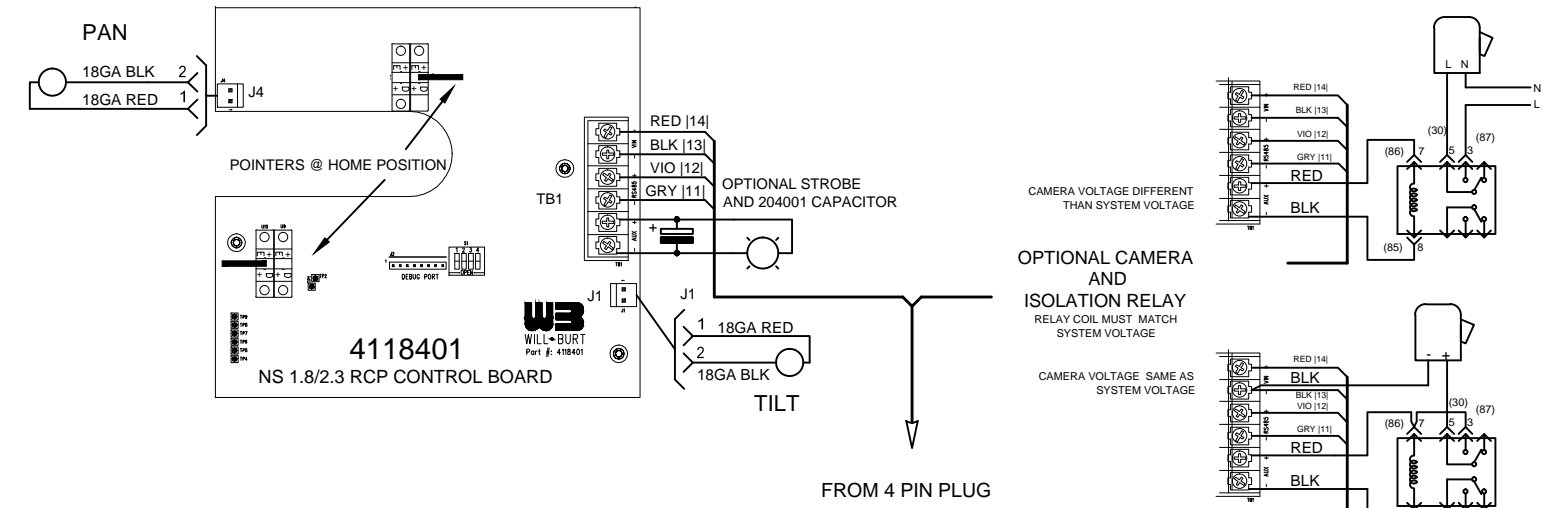
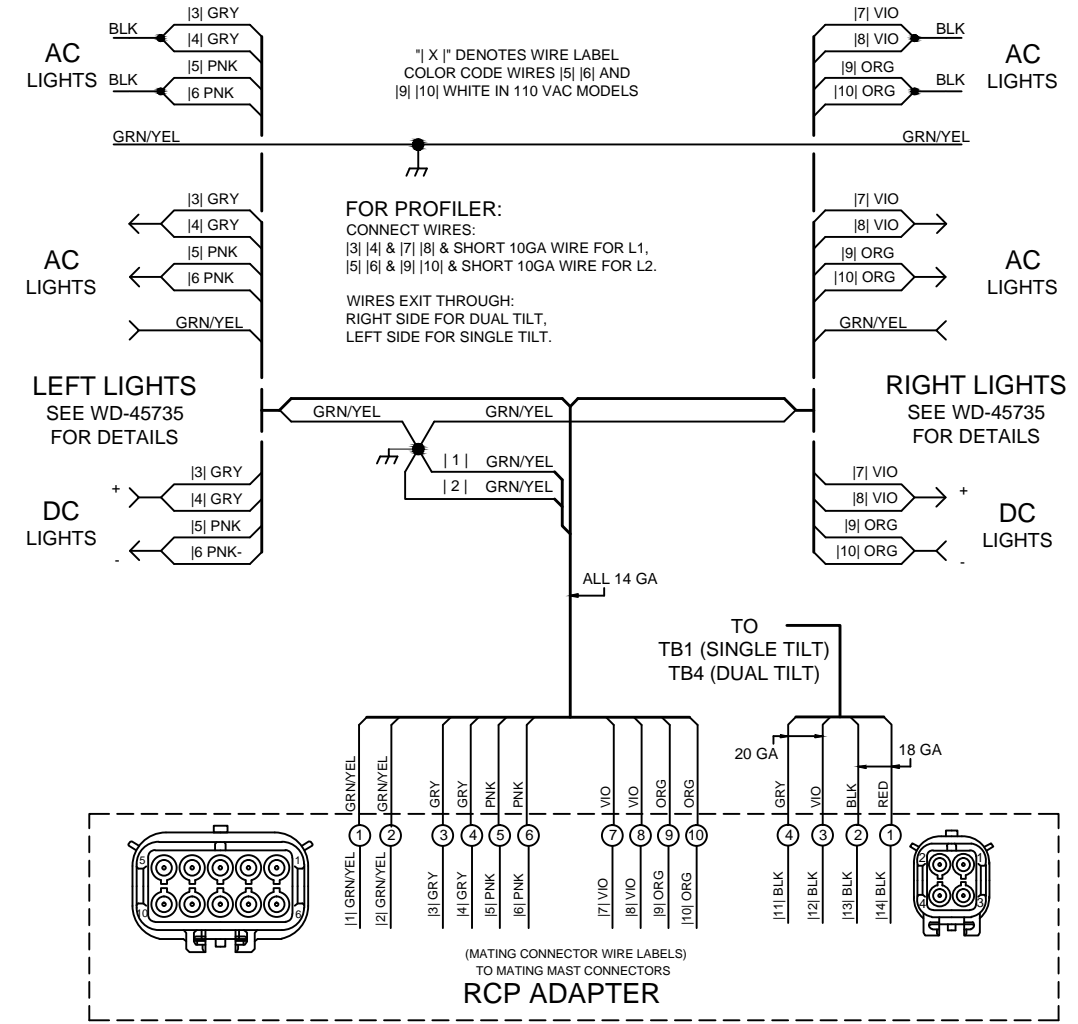
20 in-lbs. 2.3 N-m

20 in-lbs. 2.3 N-m

MATERIAL NS Universal.DWG	UNLESS OTHERWISE SPECIFIED DIMENSIONS ARE IN INCHES TOLERANCES ON: DECIMALS ANGLES 0 = ± 1/2" 00 ± 000 = ±	THIS DOCUMENT CONTAINS PROPRIETARY INFORMATION AND SHALL NOT BE USED OR REPRODUCED OR ITS CONTENTS DISCLOSED IN WHOLE OR IN PART, WITHOUT THE PRIOR WRITTEN CONSENT OF THE WILL-BURT COMPANY. FOR LOGISTICAL SUPPORT ONLY	AN EMPLOYEE OWNED COMPANY ORRVILLE, OHIO
FINISH	BREAK ALL SHARP CORNERS 725/ ON ALL MACHINED SURFACES	SIGNATURE DR. BY DJB CK. BY JN APP. BY	DATE
		DESC. NS UNIVERSAL VERTICAL WITH 4311701 CONTROL BASE WIRING	SIZE DWG. No. WD-43437
		SCALE NTS	SHEET 1 OF 2

REVISIONS				
ECN	REV	DESCRIPTION	DATE	BY/APPL
12261	E	UPDATE S3 FUNCTION TABLE FOR 7.3 SOFTWARE	06-25-14	DJB/JLK
12354	F	SHOW INSTALLER WIRING FOR HHRC WITH E-STOP	08-28-14	DJB/JLK
12643	G	REMOVE DC CONNECTOR, CHG TABLE 1	03-31-15	DJB/AW

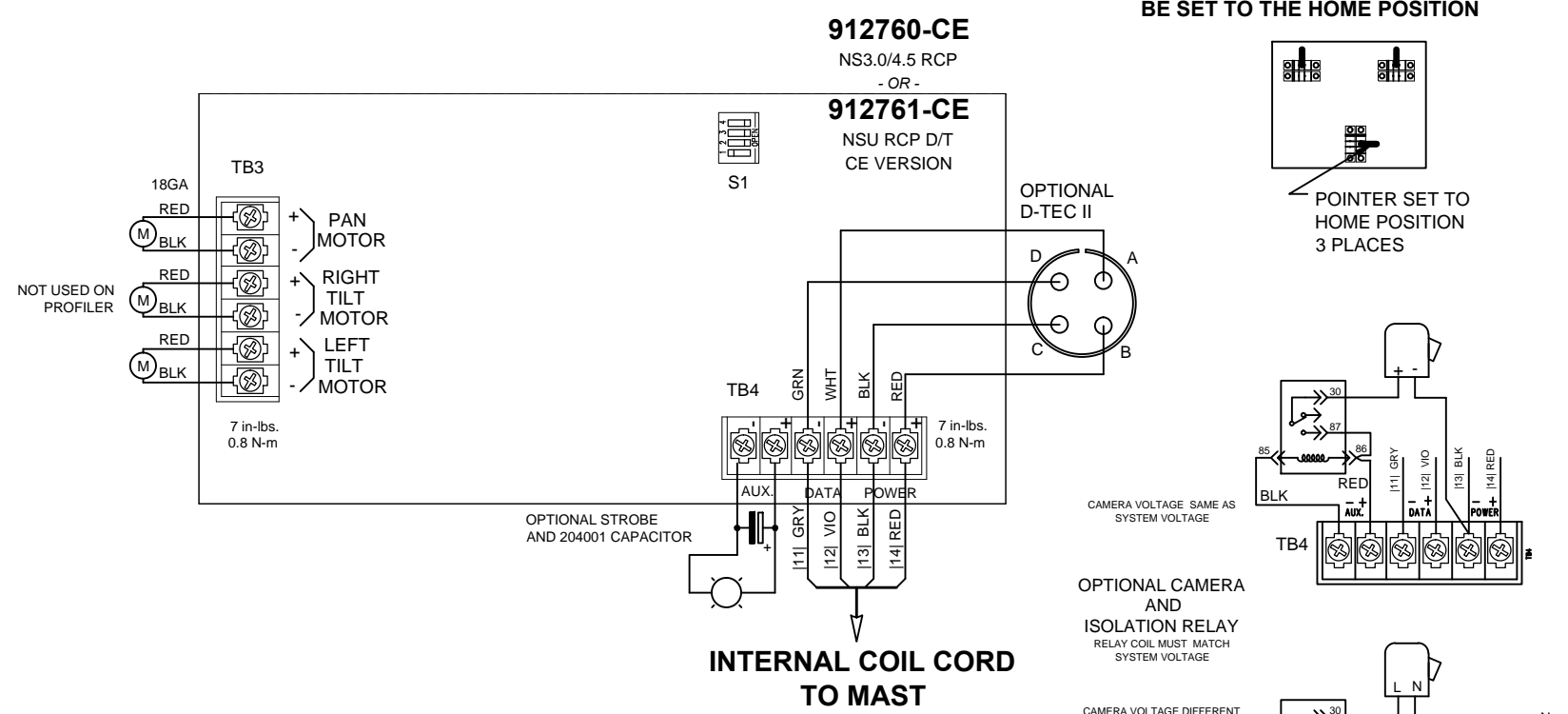
## LIGHT POWER WIRING



RCP DIP SWITCH S1

POS	OPEN	CLOSED
1	STOP ON FAULT	STOW ON FAULT
2	NOT PROFILER	PROFILER
3	STOW WHILE LOWERING	STOW BEFORE LOWERING
4	DEFAULT	UNUSED

## SINGLE-TILT RCP



## DUAL-TILT RCP

MATERIAL NS Universal.DWG	UNLESS OTHERWISE SPECIFIED DIMENSIONS ARE IN INCHES  TOLERANCES ON: DECIMALS ANGLES 0 = ± 1/2" 00 = ± 000 = ±	THIS DOCUMENT CONTAINS PROPRIETARY INFORMATION AND SHALL NOT BE USED OR REPRODUCED OR ITS CONTENTS DISCLOSED IN WHOLE OR IN PART WITHOUT THE PRIOR WRITTEN CONSENT OF THE WILL-BURT COMPANY.  FOR LOGISTICAL SUPPORT ONLY	AN EMPLOYEE OWNED COMPANY ORRVILLE, OHIO
FINISH	BREAK ALL SHARP CORNERS 125° ON ALL MACHINED SURFACES	SIGNATURE DATE DR. BY DJB CK. BY JN APP. BY	DESC. NS UNIVERSAL VERTICAL WITH 4311701 CONTROL RCP WIRING SIZE DWG. No. B WD-43437
		SCALE NTS	SHEET 2 OF 2