

REVISIONS				
ECN	REV	DESCRIPTION	DATE	BY/APPVL
11490	N	CORRECT (kill) AND (init) REFERENCES, UPDATE TABLE 1	02-20-13	DJB/JA
11700	P	ADD WIRING DETAILS FOR VARIOUS VOLTAGE CAMERAS	07-16-13	DJB/JLK
11734	Q	ADD WIRING DETAILS FOR 'EVOLUTION' LED LIGHTS	08-06-13	DJB/JLK
11808	R	ADD WIRING DETAILS FOR SIGNAL SHIELDS	10-07-13	DJB/JLK

NOTES:  
1. INSTALLER CONNECTIONS.

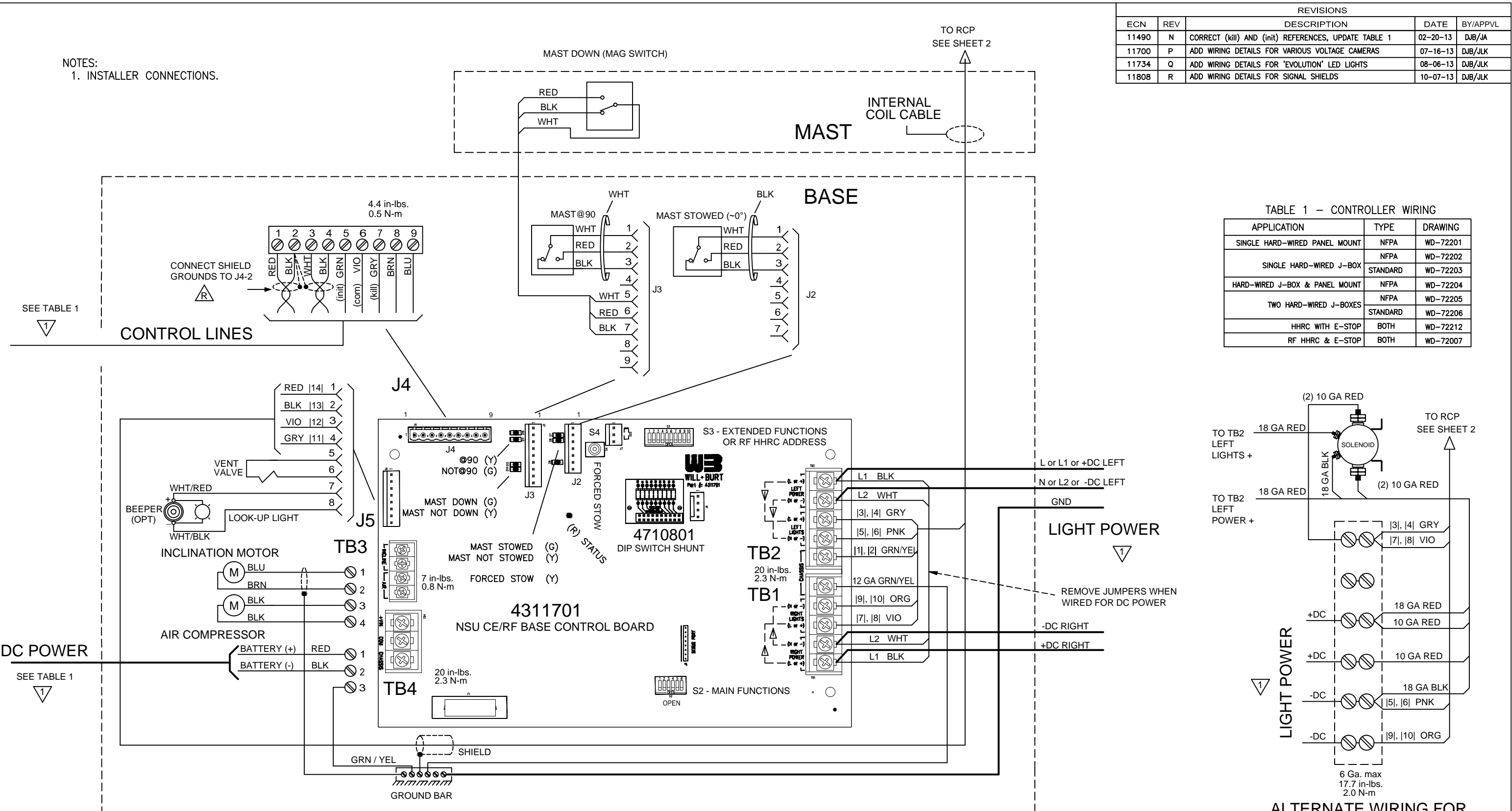
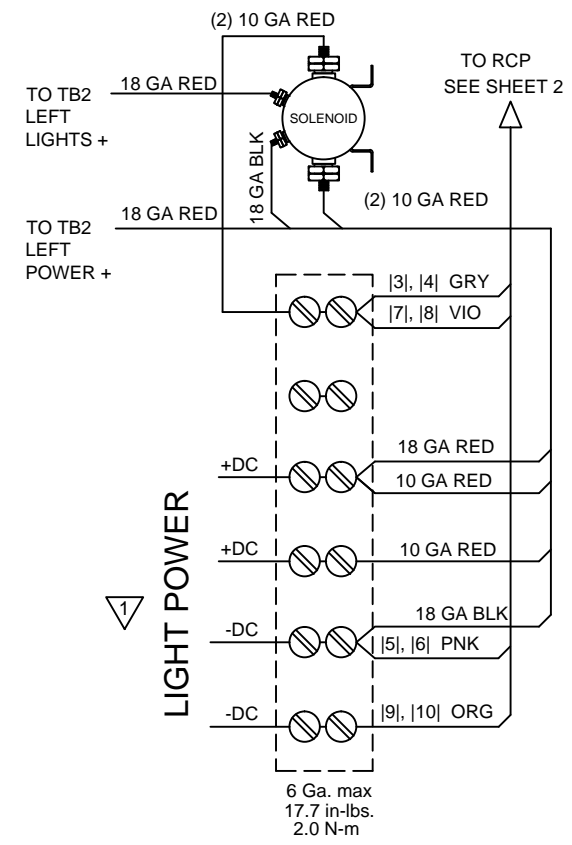


TABLE 1 - CONTROLLER WIRING

APPLICATION	TYPE	DRAWING
SINGLE HARD-WIRED PANEL MOUNT	NFPA	WD-72201
	STANDARD	WD-72203
SINGLE HARD-WIRED J-BOX	NFPA	WD-72202
	STANDARD	WD-72204
HARD-WIRED J-BOX & PANEL MOUNT	NFPA	WD-72205
	STANDARD	WD-72206
HHRC WITH E-STOP	BOTH	WD-72212
RF HHRC & E-STOP	BOTH	WD-72007



AWG	in-lbs.
14-10 CU	20
12-10 AL	20
(2)14, 12 CU	25
(2)12, 10 AL	25
8	25
6 - 4	35

BASE DIP SWITCH S2

POS	OPEN	CLOSED
1	J4 8,9 CLOSED WHEN NESTED	J4 8,9 OPEN WHEN NESTED
2	NFPA MODE	STANDARD
3	RCP	NO RCP
4	ROOF MOUNT	VERTICAL
5	UNUSED	UNUSED
6	NORMAL	DO NOT USE

MATERIAL NSC SYSTEM WIRING.DWG	UNLESS OTHERWISE SPECIFIED DIMENSIONS ARE IN INCHES  TOLERANCES ON: DECIMALS .010 ANGLES 0° ± 1/2° FRACTIONS ± 1/32"  BREAK ALL SHARP CORNERS 725/ ON ALL MACHINED SURFACES	THIS DOCUMENT CONTAINS PROPRIETARY INFORMATION AND SHALL NOT BE USED OR REPRODUCED OR ITS CONTENTS DISCLOSED IN WHOLE OR IN PART, WITHOUT THE PRIOR WRITTEN CONSENT OF THE WILL-BURT COMPANY.  FOR LOGISTICAL SUPPORT ONLY SIGNATURE DATE DR. BY DJB - CK. BY JN - APP. BY	AN EMPLOYEE OWNED COMPANY ORRVILLE, OHIO  NEXT ASSY DESC. NS CE ROOF MOUNT WITH 4311701-CE/RF CONTROL BASE WIRING SIZE DWG. No. B 46066 SCALE NTS SHEET 1 OF 2
-----------------------------------	---	--	--

