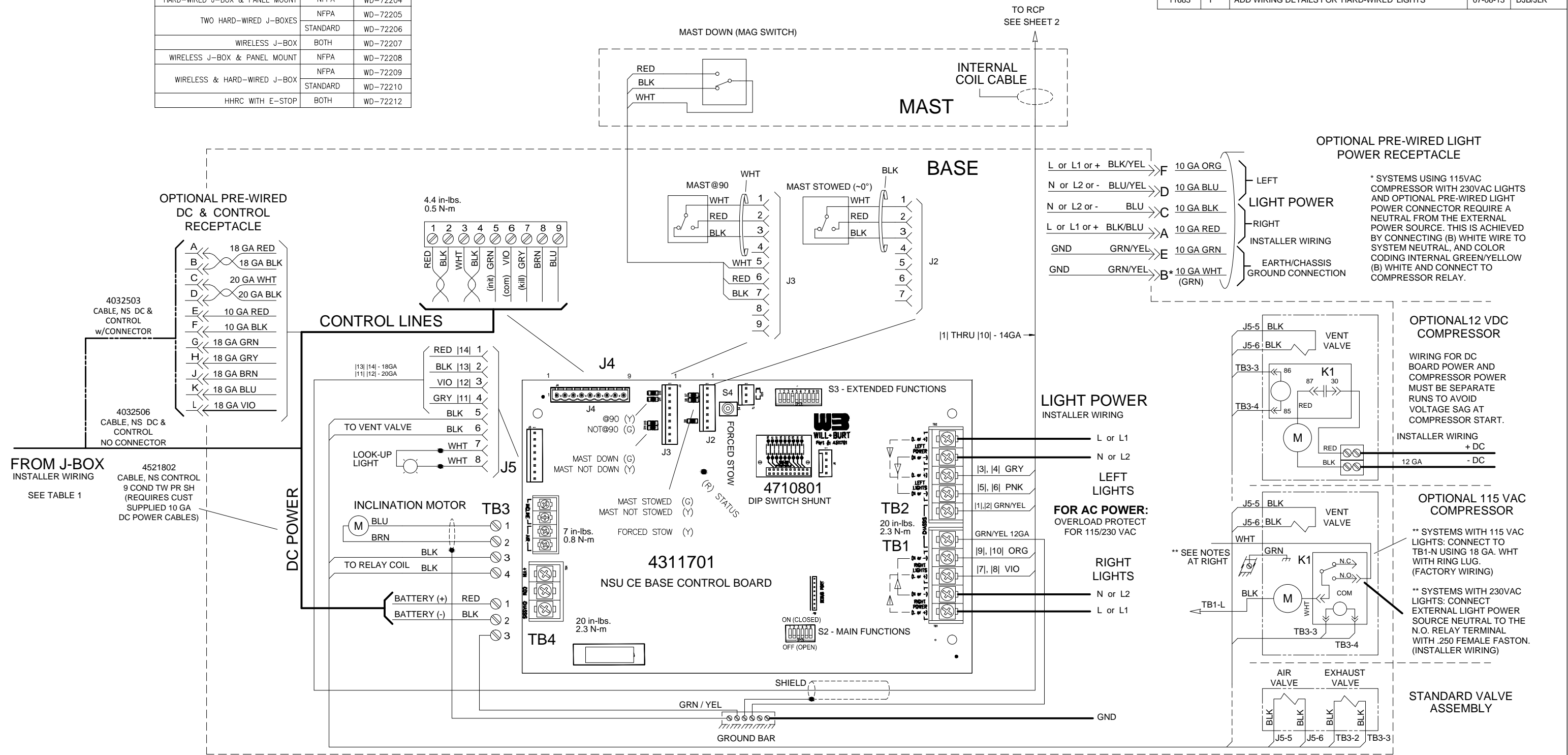


TABLE 1 - CONTROLLER WIRING

APPLICATION	TYPE	DRAWING
SINGLE HARD-WIRED PANEL MOUNT	NFPA	WD-72201
SINGLE HARD-WIRED J-BOX	NFPA	WD-72202
	STANDARD	WD-72203
HARD-WIRED J-BOX & PANEL MOUNT	NFPA	WD-72204
TWO HARD-WIRED J-BOXES	NFPA	WD-72205
	STANDARD	WD-72206
WIRELESS J-BOX	BOTH	WD-72207
WIRELESS J-BOX & PANEL MOUNT	NFPA	WD-72208
WIRELESS & HARD-WIRED J-BOX	NFPA	WD-72209
	STANDARD	WD-72210
HHRC WITH E-STOP	BOTH	WD-72212

REVISIONS				
ECN	REV	DESCRIPTION	DATE	BY/APPVL
11224	C	ADD OPTIONAL RECEPTACLES, COLOR TO WIRES [11]-[14], SINGLE-TILT RCP, UPDATE LIGHT POWER WIRING.	08-28-12	DJB/JMK
11479	D	ADD STANDARD VALVE AND COMPRESSOR DETAILS	02-13-13	DJB/JA
11485	E	CORRECT (kill) AND (init) REFERENCES	02-18-13	DJB/JA
11683	F	ADD WIRING DETAILS FOR 'HARD-WIRED' LIGHTS	07-08-13	DJB/JLK



AWG	in-lbs.
14-10 CU	20
12-10 AL	20
(2)14, 12 CU	25
(2)12, 10 AL	25
8	25
6 - 4	35

BASE DIP SWITCH S2: MAIN FUNCTIONS

POS	OFF (OPEN)	ON (CLOSED)
1	J4 8,9 CLOSED WHEN NESTED	J4 8,9 OPEN WHEN NESTED
2	NFPA MODE	STANDARD
3	RCP	NO RCP
4	ROOF MOUNT	VERTICAL
5	UNUSED	UNUSED
6	NORMAL	DO NOT USE

BASE DIP SWITCH S3: EXTENDED FUNCTIONS

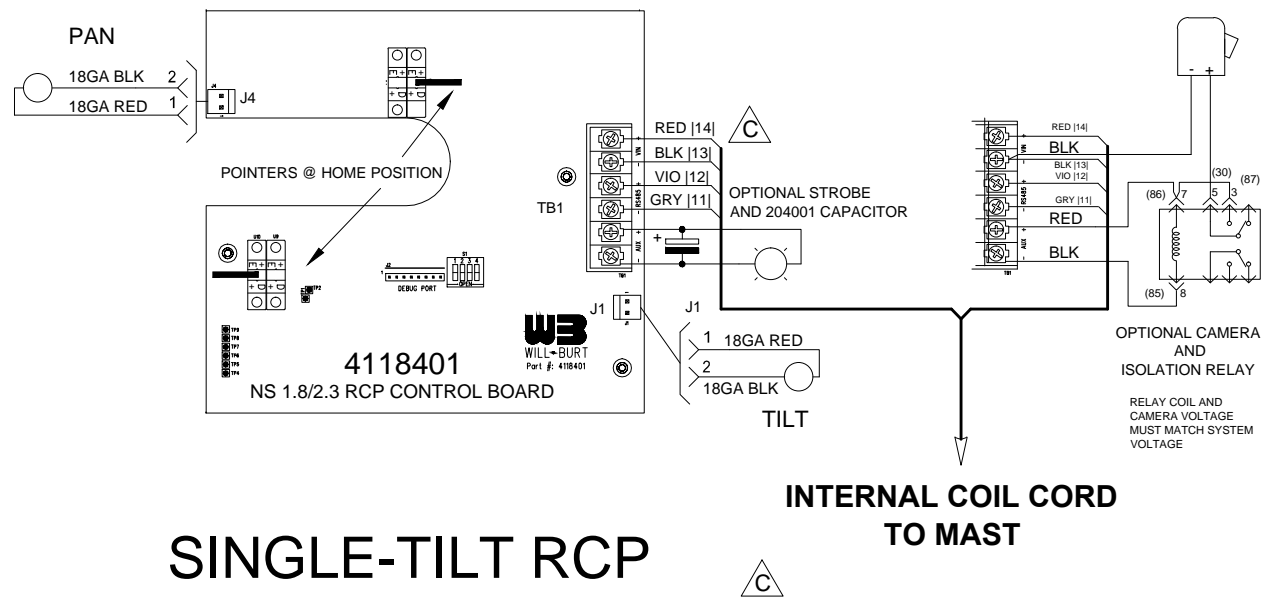
POS	OFF (OPEN)	ON (CLOSED)
1	NO D-TEC	D-TEC PRESENT
2	NO WELL COVER/HATCH	WELL COVER/HATCH PRESENT
3	-	-
4	-	DEFAULT
5-10	-	-

MATERIAL NS Universal.DWG	UNLESS OTHERWISE SPECIFIED DIMENSIONS ARE IN INCHES TOLERANCES ON: DECIMALS ANGLES 0 = ± 1/2" 00 = ± 000 = ±	THIS DOCUMENT CONTAINS PROPRIETARY INFORMATION AND SHALL NOT BE USED OR REPRODUCED OR ITS CONTENTS DISCLOSED IN WHOLE OR IN PART, WITHOUT THE PRIOR WRITTEN CONSENT OF THE WILL-BURT COMPANY.	FOR LOGISTICAL SUPPORT ONLY		SIGNATURE DATE DR.BY DJB 02-12-13 CK.BY JA 02-12-13 APP.BY JA 02-12-13	SIZE DWG. No. WD-46276 B
			SIGNATURE DATE			
FINISH	BREAK ALL SHARP CORNERS 125° ON ALL MACHINED SURFACES		SCALE NTS	SHEET 1 OF 2		

WILL-BURT AN EMPLOYEE OWNED COMPANY
ORRVILLE, OHIO

NightScan Powerlite roof-mount
WITH 4311701 UNIVERSAL CONTROL
BASE WIRING

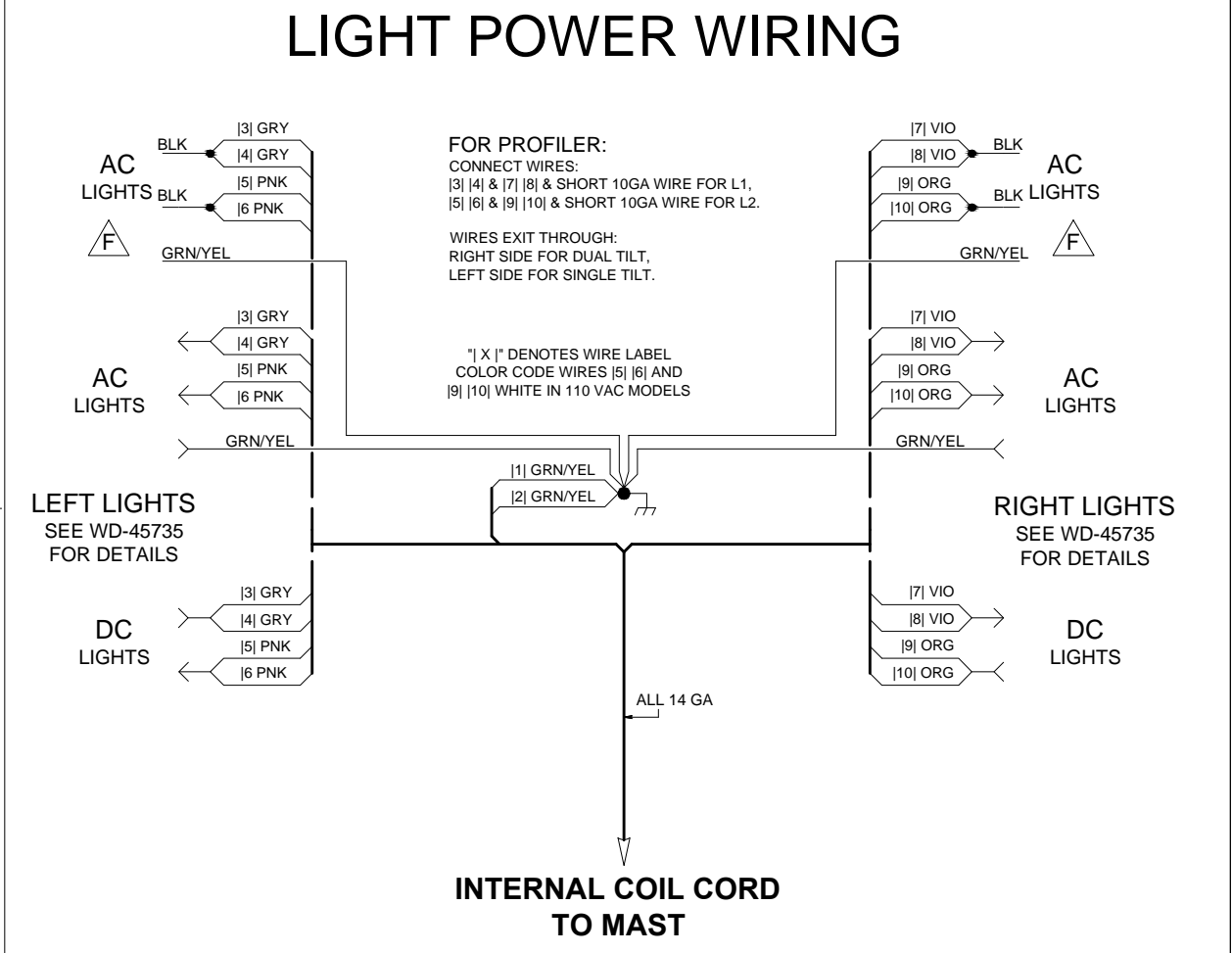
REVISIONS				
ECN	REV	DESCRIPTION	DATE	BY/APPVL
11224	C	ADD OPTIONAL RECEPTACLES, COLOR TO WIRES [11]-[14], SINGLE-TILT RCP, UPDATE LIGHT POWER WIRING.	08-28-12	DJB/JMK
11479	D	ADD STANDARD VALVE AND COMPRESSOR DETAILS	02-13-13	DJB/JA
11485	E	CORRECT (kill) AND (init) REFERENCES	02-18-13	DJB/JA
11683	F	ADD WIRING DETAILS FOR 'HARD-WIRED' LIGHTS	07-08-13	DJB/JLK



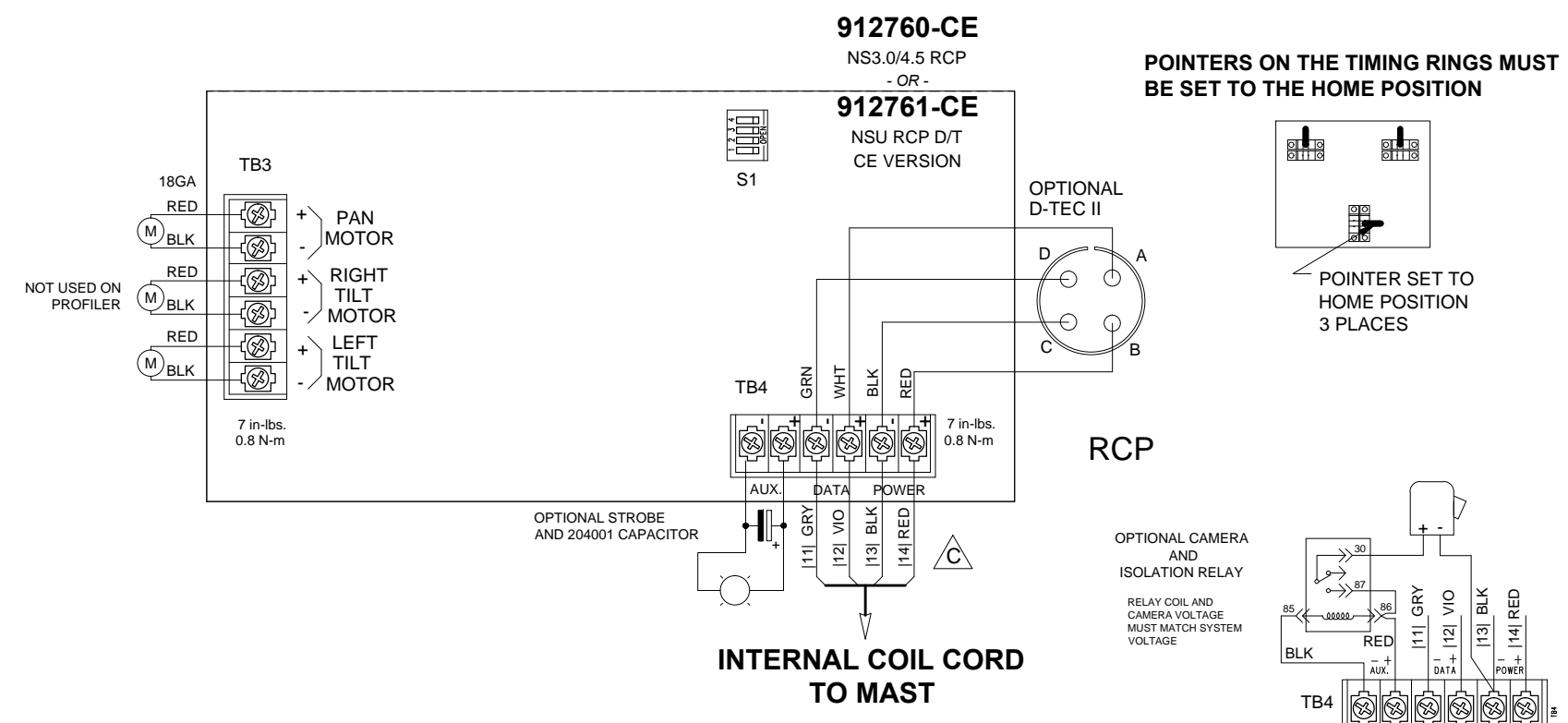
RCP DIP SWITCH S1

POS	OPEN	CLOSED
1	STOP ON FAULT	STOW ON FAULT
2	RCP	POSITIONER
3	STOW WHILE LOWERING	STOW BEFORE LOWERING
4	UNUSED	UNUSED

SINGLE-TILT RCP



LIGHT POWER WIRING



RCP DIP SWITCH S1

POS	OPEN	CLOSED
1	STOP ON FAULT	STOW ON FAULT
2	NOT PROFILER	PROFILER
3	UNUSED	UNUSED
4	UNUSED	UNUSED

DUAL-TILT RCP

MATERIAL NS Universal.DWG	UNLESS OTHERWISE SPECIFIED DIMENSIONS ARE IN INCHES TOLERANCES ON: DECIMALS ± ANGLES ± 0 = ± 1/2" 00 = ± 000 = ±	THIS DOCUMENT CONTAINS PROPRIETARY INFORMATION AND SHALL NOT BE USED OR REPRODUCED OR ITS CONTENTS DISCLOSED IN WHOLE OR IN PART WITHOUT THE PRIOR WRITTEN CONSENT OF THE WILL-BURT COMPANY.	FOR LOGISTICAL SUPPORT ONLY		AN EMPLOYEE OWNED COMPANY ORRVILLE, OHIO NightScan Powerlite roof-mount WITH 4311701 UNIVERSAL CONTROL RCP WIRING
			SIGNATURE	DATE	
FINISH	BREAK ALL SHARP CORNERS 1/25" ON ALL MACHINED SURFACES	APP.BY	DR.BY	DJB	SIZE B
			CK.BY	JMK	
			SCALE	NTS	SHEET 2 OF 2