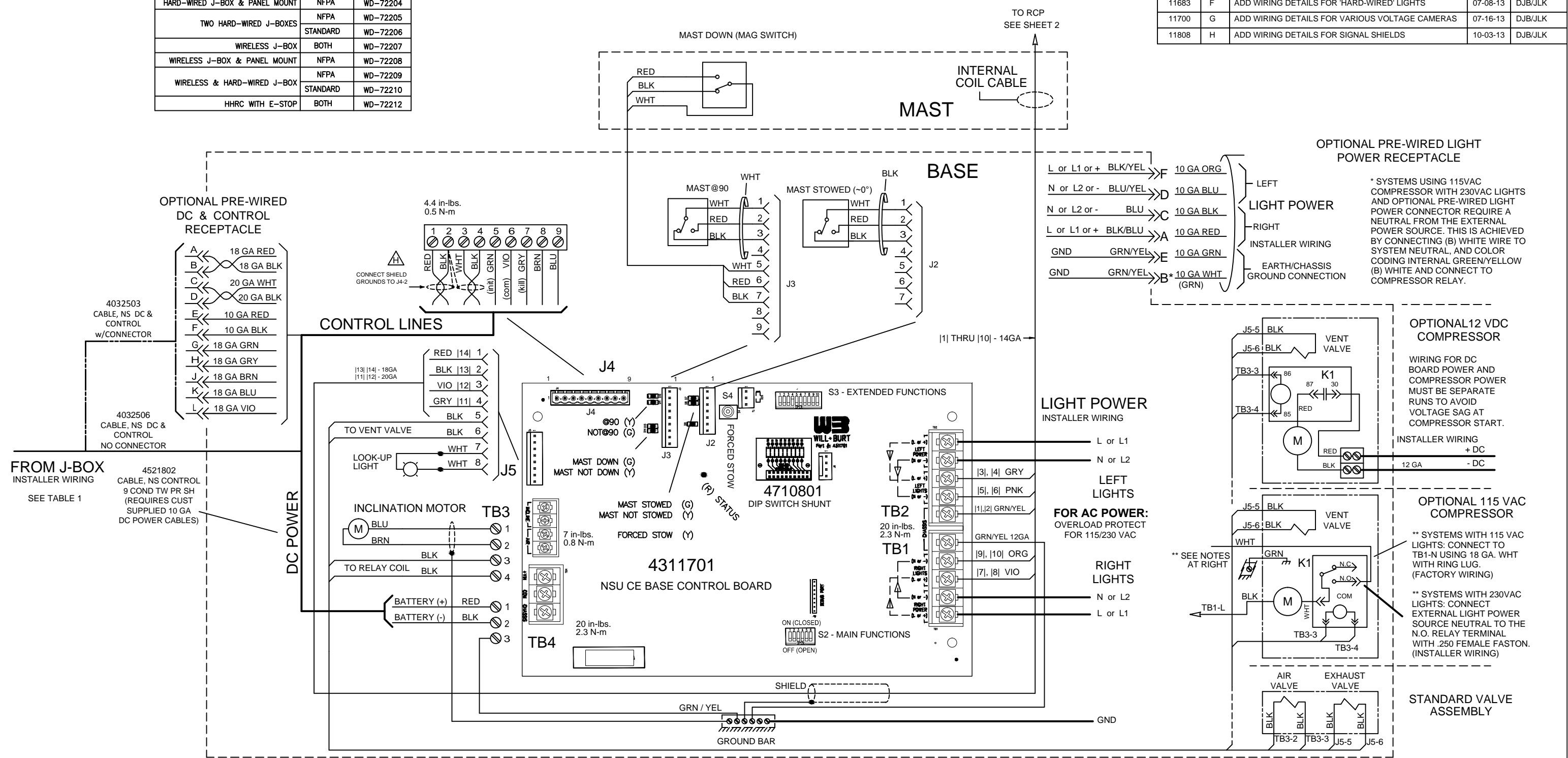


TABLE 1 - CONTROLLER WIRING

APPLICATION	TYPE	DRAWING
SINGLE HARD-WIRED PANEL MOUNT	NFPA	WD-72201
SINGLE HARD-WIRED J-BOX	NFPA	WD-72202
	STANDARD	WD-72203
HARD-WIRED J-BOX & PANEL MOUNT	NFPA	WD-72204
TWO HARD-WIRED J-BOXES	NFPA	WD-72205
	STANDARD	WD-72206
WIRELESS J-BOX	BOTH	WD-72207
WIRELESS J-BOX & PANEL MOUNT	NFPA	WD-72208
WIRELESS & HARD-WIRED J-BOX	NFPA	WD-72209
	STANDARD	WD-72210
HHRC WITH E-STOP	BOTH	WD-72212

REVISIONS				
ECN	REV	DESCRIPTION	DATE	BY/APPVL
11224	C	ADD OPTIONAL RECEPTACLES, COLOR TO WIRES [11]-[14], SINGLE-TILT RCP, UPDATE LIGHT POWER WIRING.	08-28-12	DJB/JMK
11479	D	ADD STANDARD VALVE AND COMPRESSOR DETAILS	02-13-13	DJB/JA
11485	E	CORRECT (kill) AND (init) REFERENCES	02-18-13	DJB/JA
11683	F	ADD WIRING DETAILS FOR 'HARD-WIRED' LIGHTS	07-08-13	DJB/JLK
11700	G	ADD WIRING DETAILS FOR VARIOUS VOLTAGE CAMERAS	07-16-13	DJB/JLK
11808	H	ADD WIRING DETAILS FOR SIGNAL SHIELDS	10-03-13	DJB/JLK



AWG	in-lbs.
14-10 CU	20
12-10 AL	20
(2)14, 12 CU	25
(2)12, 10 AL	25
8	25
6 - 4	35

BASE DIP SWITCH S2: MAIN FUNCTIONS

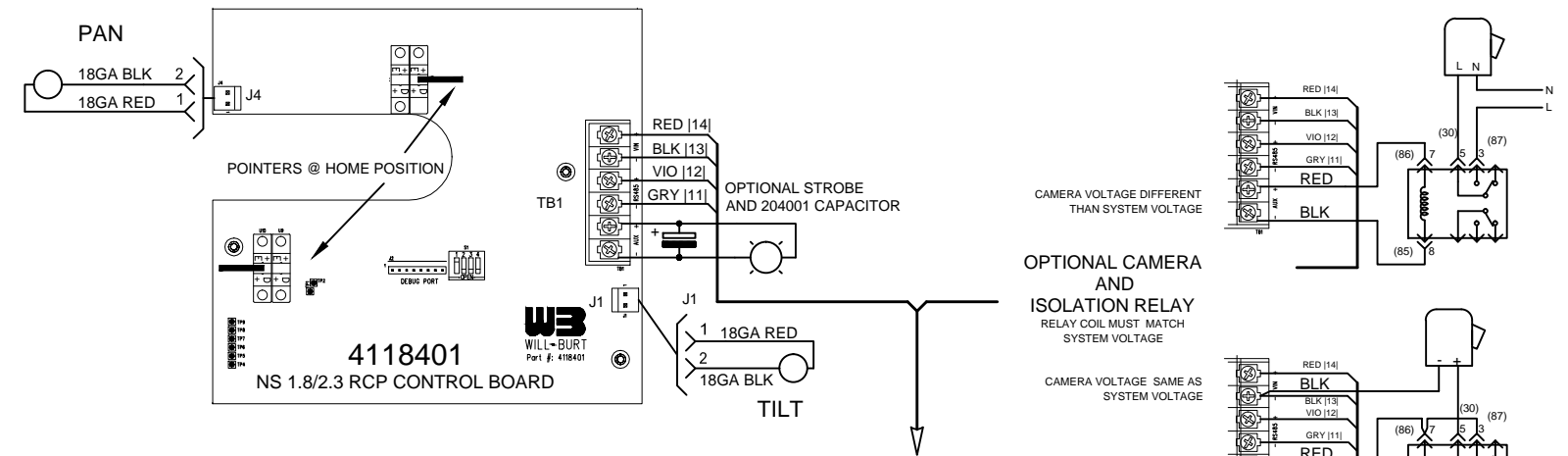
POS	OFF (OPEN)	ON (CLOSED)
1	J4 8,9 CLOSED WHEN NESTED	J4 8,9 OPEN WHEN NESTED
2	NFPA MODE	STANDARD
3	RCP	NO RCP
4	ROOF MOUNT	VERTICAL
5	UNUSED	UNUSED
6	NORMAL	DO NOT USE

BASE DIP SWITCH S3: EXTENDED FUNCTIONS

POS	OFF (OPEN)	ON (CLOSED)
1	NO D-TEC	D-TEC PRESENT
2	NO WELL COVER/HATCH	WELL COVER/HATCH PRESENT
3	-	-
4	-	DEFAULT
5-10	-	-

MATERIAL NS Universal.DWG	UNLESS OTHERWISE SPECIFIED DIMENSIONS ARE IN INCHES  TOLERANCES ON DECIMALS ANGLES 0 = ± 1/2" 00 = ± 000 = ±	THIS DOCUMENT CONTAINS PROPRIETARY INFORMATION AND SHALL NOT BE USED OR REPRODUCED OR ITS CONTENTS DISCLOSED IN WHOLE OR IN PART, WITHOUT THE PRIOR WRITTEN CONSENT OF THE WILL-BURT COMPANY.	<b>WILL-BURT</b> AN EMPLOYEE OWNED COMPANY ORRVILLE, OHIO
FINISH	FRACTIONS ±  BREAK ALL SHARP CORNERS 7/32" ON ALL MACHINED SURFACES	FOR LOGISTICAL SUPPORT ONLY SIGNATURE DATE DR. BY DJB 02-12-13 CK. BY JA 02-12-13 APP. BY JA 02-12-13	<b>WILL-BURT</b> NightScan Powerlite roof-mount WITH 4311701 UNIVERSAL CONTROL BASE WIRING
		SIZE DWG. No. <b>B</b> <b>WD-46276</b>	SCALE NTS SHEET 1 OF 2

REVISIONS				
ECN	REV	DESCRIPTION	DATE	BY/APPVL
11224	C	ADD OPTIONAL RECEPTACLES, COLOR TO WIRES [11]-[14], SINGLE-TILT RCP, UPDATE LIGHT POWER WIRING.	08-28-12	DJB/JMK
11479	D	ADD STANDARD VALVE AND COMPRESSOR DETAILS	02-13-13	DJB/JA
11485	E	CORRECT (kill) AND (init) REFERENCES	02-18-13	DJB/JA
11683	F	ADD WIRING DETAILS FOR 'HARD-WIRED' LIGHTS	07-08-13	DJB/JLK
11700	G	ADD WIRING DETAILS FOR VARIOUS VOLTAGE CAMERAS	07-16-13	DJB/JLK
11808	H	ADD WIRING DETAILS FOR SIGNAL SHIELDS	10-03-13	DJB/JLK

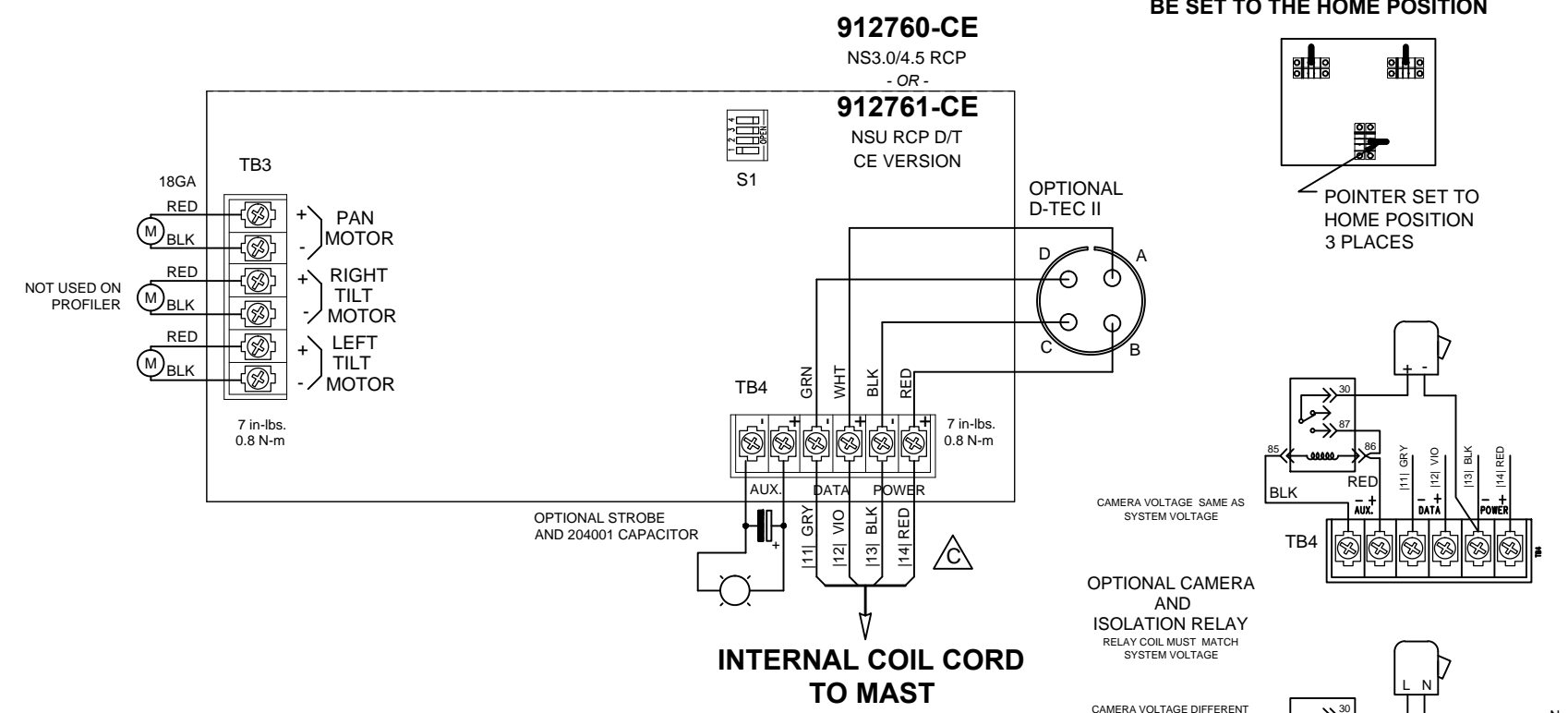


RCP DIP SWITCH S1

POS	OPEN	CLOSED
1	STOP ON FAULT	STOW ON FAULT
2	RCP	POSITIONER
3	STOW WHILE LOWERING	STOW BEFORE LOWERING
4	UNUSED	UNUSED

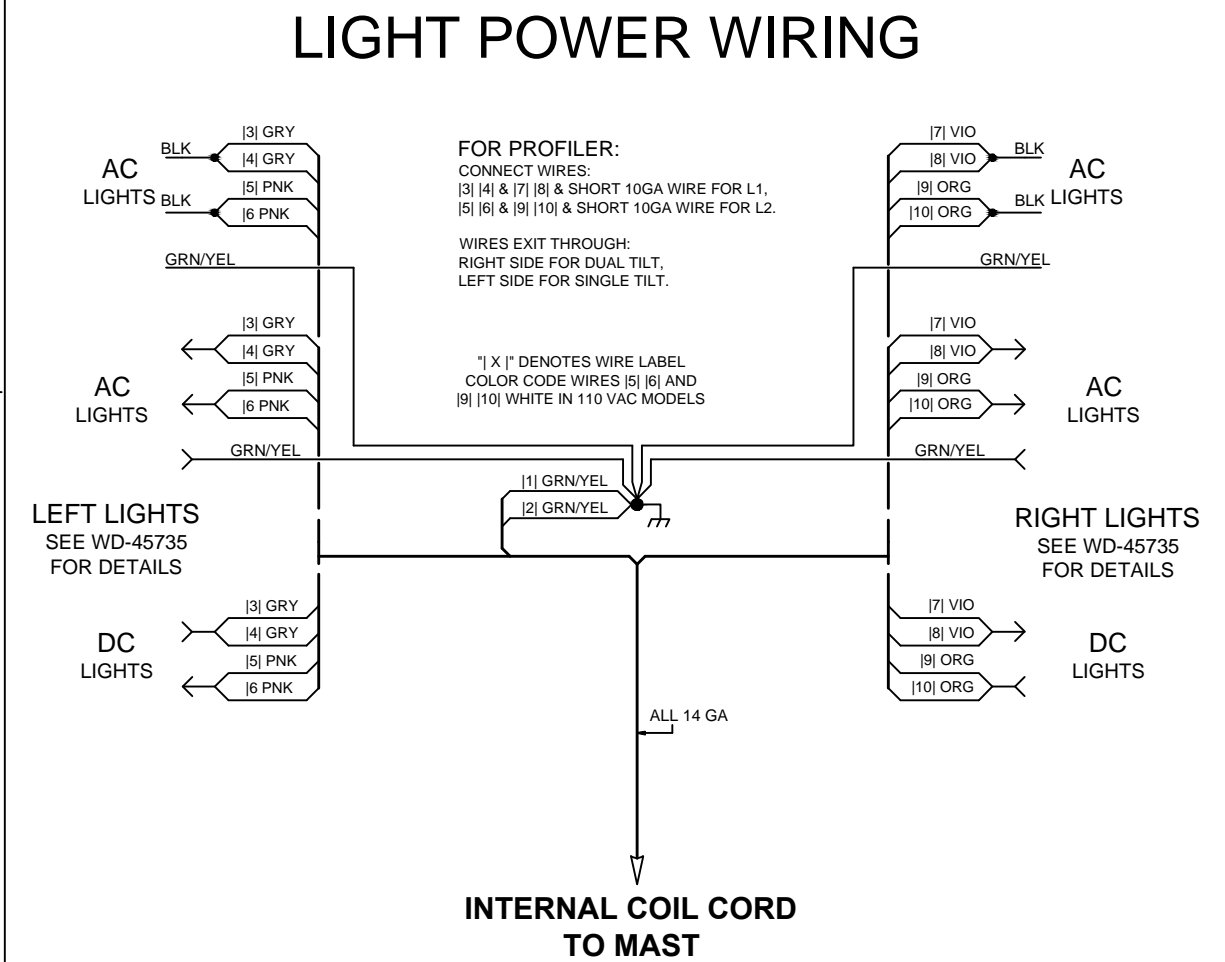
## SINGLE-TILT RCP

INTERNAL COIL CORD TO MAST



## DUAL-TILT RCP

INTERNAL COIL CORD TO MAST



INTERNAL COIL CORD TO MAST

MATERIAL NS Universal.DWG	UNLESS OTHERWISE SPECIFIED DIMENSIONS ARE IN INCHES  TOLERANCES ON: DECIMALS: .00 ± ANGLES: ± 1/2° FRACTIONS: ± 1/32"  BREAK ALL SHARP CORNERS ON ALL MACHINED SURFACES	THIS DOCUMENT CONTAINS PROPRIETARY INFORMATION AND SHALL NOT BE USED OR REPRODUCED OR ITS CONTENTS DISCLOSED IN WHOLE OR IN PART, WITHOUT THE PRIOR WRITTEN CONSENT OF THE WILL-BURT COMPANY.  FOR LOGISTICAL SUPPORT ONLY	AN EMPLOYEE OWNED COMPANY ORRVILLE, OHIO	
			NightScan Powerlite roof-mount WITH 4311701 UNIVERSAL CONTROL RCP WIRING	
FINISH	SIGNATURE DR. BY DJB CK. BY JMK APP. BY	DATE - -	SIZE B	DWG. No. WD-46276
			SCALE NTS	SHEET 2 OF 2