

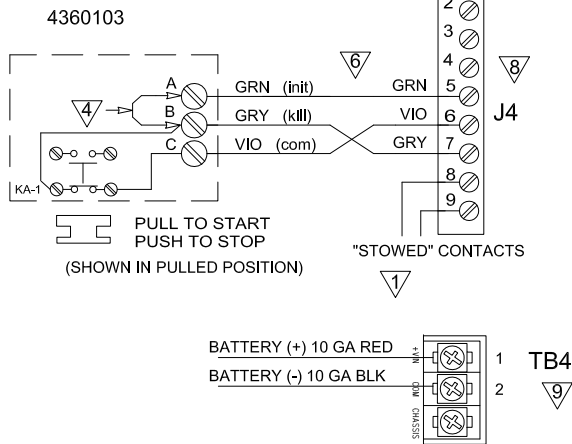
REVISIONS				
ECN	REV	DESCRIPTION	DATE	BY/APPVL
10207	00	NEW	09-07-10	DJB/JDN
10840	A	ADD WIRING DETAILS FOR NO E-STOP	12-19-11	DJB/JMK
11550	B	CABLE PART NUMBER RANGE EXPANDED.	03-29-13	DJB/JA

WIRELESS WITH STANDARD E-STOP

KIT 4362103



STANDARD

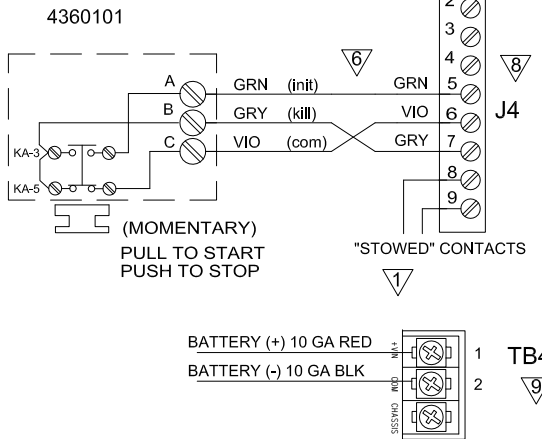


WIRELESS WITH NFPA E-STOP

KIT 4362101

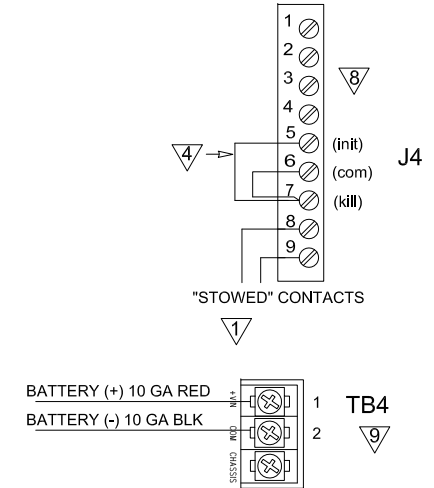


NFPA



WIRELESS HHRC ONLY

KIT 4362109



NOTES

- USE SW2 POSITION 1 ON BASE BOARD TO SELECT OPEN OR CLOSED WHEN NESTED. (SOFTWARE 6.3 AND HIGHER)
SW2-1 OPEN = CONTACTS CLOSED WHEN NESTED
SW2-1 CLOSED = CONTACTS OPEN WHEN NESTED.
2 AMPS MAX CURRENT, 20 GA. MINIMUM CONDUCTOR.
- SW2 POSITION 2 ON BASE BOARD MUST BE OPEN (NFPA MODE)
- SW2 POSITION 2 ON BASE BOARD MUST BE CLOSED (STANDARD MODE)
- REMOVE JUMPER(S) IF REPLACED BY PARKING BRAKE INTERLOCK. G-H CLOSED WHEN BRAKE "ON".
AVAILABLE IN STANDARD MODE ONLY.
- CABLE PART NUMBER 403250x
- CABLE PART NUMBER 452180x
- OPTIONAL DISABLE INPUT, CUSTOMER SUPPLIED CONTACTS. MUST HAVE CONTINUITY TO FUNCTION. WILL NOT ALLOW OPERATION IF OPEN, ACTS AS EMERGENCY STOP.
- 4.4in-lbs, 0.5Nm
- 20 in-lbs, 2.3Nm

PROGRAMMING THE HHRC WIRELESS ADDRESS

- SET THE DESIRED HHRC ADDRESS USING DIPSWITCH S3 ON THE BASE BOARD.
- TURN BASE UNIT POWER ON.
- PRESS THE MAST UP AND MAST DOWN BUTTONS SIMULTANEOUSLY FOR ONE SECOND. THE LED ON THE HHRC WILL FLASH RED AND GREEN.

AutoCAD Drawing: NS J-Box Wiring.DWG	UNLESS OTHERWISE SPECIFIED DIMENSIONS ARE IN INCHES	THIS DOCUMENT CONTAINS PROPRIETARY INFORMATION AND SHALL NOT BE USED OR REPRODUCED OR ITS CONTENTS DISCLOSED IN WHOLE OR IN PART, WITHOUT THE PRIOR WRITTEN CONSENT OF THE WILL-BURT COMPANY. FOR LOGISTICAL SUPPORT ONLY	AN EMPLOYEE OWNED COMPANY ORRVILLE, OHIO
FINISH	TOLERANCES ON: DECIMALS ANGLES 0 ± ± 1/2" 00 ± ± 000 ± ±	SIGNATURE	DATE
	FRACTIONS ± BREAK ALL SHARP CORNERS 125/ ON ALL MACHINED SURFACES	DR. BY DJB -	DATE
		CK. BY JDN -	
		APP. BY	
		SCALE NTS	SHEET 1 OF 1
		SIZE DWG. No. WD-72007	