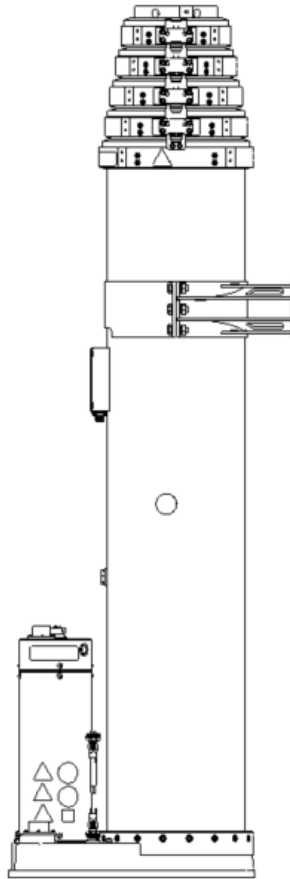




# STILETTO<sup>®</sup> AL

## STILETTO AL OPERATING INSTRUCTIONS



(6-Meter Stiletto AL P/N: 711990692 Shown)

The Will-Burt Company  
401 Collins Blvd  
Orrville, OH 44667, U.S.A.

Phone: +1 330 684 4000  
E-Mail: [info@willburt.com](mailto:info@willburt.com)  
Website: [www.willburt.com](http://www.willburt.com)

TP-5418901-M, May 2023  
© 2023 The Will-Burt Company  
Original Instructions



Authorized Representative:  
Will-Burt Germany GmbH & Co. KG  
Fischergasse 25  
D-91344 Waischenfeld, Germany



## Warranty

Will-Burt warrants its Stiletto® AL masts to be free from defects in material and workmanship for a period of two (2) years, with such time period running from the date of shipment by Will-Burt. Will-Burt shall not be responsible for any damage resulting to or caused by its products by reason of failure to properly install, maintain or store the product; use of the product in a manner inconsistent with its design; unauthorized service, alteration of products, neglect, abuse, accident, or acts of God. This warranty does not extend to any component parts not manufactured by Will-Burt; provided, however, Will-Burt's warranty herein shall not limit any warranties by manufacturers of component parts which extend to the buyer.

THE FOREGOING WARRANTY IS IN LIEU OF ALL OTHER WARRANTIES, AND NO REPRESENTATIONS, GUARANTEES OR WARRANTIES, EXPRESS OR IMPLIED, INCLUDING BUT NOT LIMITED TO, A WARRANTY OF MERCHANTABILITY, FITNESS FOR A PARTICULAR PURPOSE, OR NON-INFRINGEMENT ARE MADE BY WILL-BURT IN CONNECTION WITH THE MANUFACTURE OR SALE OF ITS PRODUCTS. NO EMPLOYEE, DISTRIBUTOR, OR REPRESENTATIVE IS AUTHORIZED TO CHANGE THIS WARRANTY IN ANY WAY OR GRANT ANY OTHER WARRANTY ON BEHALF OF WILL-BURT.

Claims for defects in material and workmanship shall be made in writing to Will-Burt within thirty (30) days of the discovery of defect. Failure to provide notice as required hereby shall be conclusive evidence that the product was in conformity with the warranty, and Will-Burt shall be released from any and all liability relating to the product. Will-Burt may either send a service representative or have the product returned to its factory at Buyer's expense for inspection. If judged by Will-Burt to be defective in material or workmanship, the product will be replaced or repaired at the option of Will-Burt, free from all charges except authorized transportation.

THE REMEDIES OF BUYER SET FORTH HEREIN ARE EXCLUSIVE AND ARE IN LIEU OF ALL OTHER REMEDIES. THE LIABILITY OF WILL-BURT WHETHER IN CONTRACT, TORT, UNDER ANY WARRANTY, OR OTHERWISE, SHALL NOT EXTEND BEYOND ITS OBLIGATION TO REPAIR OR REPLACE, AT ITS OPTION, ANY PRODUCT OR PART FOUND BY WILL-BURT TO BE DEFECTIVE IN MATERIAL OR WORKMANSHIP. WILL-BURT SHALL NOT BE LIABLE FOR COST OF INSTALLATION AND/OR REMOVAL, OR BE RESPONSIBLE FOR DIRECT, INDIRECT, SPECIAL OR CONSEQUENTIAL DAMAGES OF ANY NATURE.

---

## **Will-Burt Mast Warranty Coverage Procedure**

The following procedure must be used in order for The Will-Burt Company to support warranty claims for Mast and Lighting products that The Will-Burt Company Manufactures. It is imperative for Will-Burt to be involved in any warranty product claim before any work is performed that would be covered under the warranty.

- 1) The End Customer, Dealer, or OEM must fill out and submit a Will-Burt Company Product Warranty Claim Form which includes Serial Number and Part Number for affected product. Will-Burt will also need explanation of the issue the product is experiencing. Please submit a Warranty Claim by Downloading the claim form to print, scan and E-Mail to Will-Burt's Service Department. The claim form can be found at [www.willburt.com](http://www.willburt.com).
- 2) After the Will-Burt Company Warranty Claim form is submitted, you will receive a Will-Burt Warranty Authorization number which will become your warranty product case number.
- 3) Will-Burt will determine at the time the claim form is submitted if the product will be requested to be returned to the Will-Burt factory at customer's expense or Will-Burt may determine to send a service representative which will solely be determined by The Will-Burt Company.
- 4) If warranty of the product judged by Will-Burt to be defective in material or workmanship, the product will be replaced or repaired at the option of Will-Burt, free from all charges except authorized transportation.

# Table of Contents

<b>Safety Summary</b> .....	<b>ix</b>
Signal Word Definitions.....	ix
General Safety Instructions.....	ix
Symbols.....	xiv
<b>Section 1 Introduction &amp; Intended Use</b> .....	<b>1-1</b>
1.1 Specification Compliance.....	1-2
CE Declaration of Conformity.....	1-2
1.2 Safety Precaution Notification.....	1-2
1.3 Manual Organization.....	1-2
1.4 Definitions of Terms.....	1-3
1.5 Specifications.....	1-4
1.6 Finishes.....	1-7
1.7 Major Components.....	1-8
1.7.1 Telescoping Mast.....	1-9
1.7.1.1 Collars.....	1-11
1.7.1.2 Top Tube Ring.....	1-11
1.7.1.3 Drive Assembly.....	1-13
1.7.1.4 Support Bracket Assembly.....	1-15
1.7.1.5 Fully Extended Limit Switch (P/N: 5656301-XXXX).....	1-16
1.7.1.6 Motor and Brake Cable (P/N: 5433101 for 3M Cable).....	1-16
1.7.1.7 Mast Sensor Cable (P/N: 5433201 for 3M Cable).....	1-17
1.7.1.8 Fully Extended Limit Switch Cable (P/N: 5427901).....	1-17
1.7.1.9 EMI Filter (optional equipment).....	1-18
1.7.1.10 Power Cable Connector (P/N: 213075).....	1-18
1.7.1.11 Identification Plate (P/N: 451830xx).....	1-19
1.7.1.12 Crank Handle Assembly (P/N: A3209918).....	1-19
1.7.1.13 Grease Gun (P/N: 4288501).....	1-20
1.7.1.14 Label Kit (English) (P/N: 5428301).....	1-20
1.7.2 Universal Control Box (P/N: 4453901).....	1-21
1.7.2.1 Display.....	1-23
1.7.2.2 UP/DOWN Switch.....	1-24
1.7.2.3 OVERRIDE Switch.....	1-24
1.7.2.4 Bulkhead Connectors.....	1-25
1.7.2.5 Printed Circuit Board.....	1-25
1.7.3 PC Interface.....	1-26
1.7.4 Accessory Options (Sold Separately).....	1-27
1.7.4.1 Hand-Held Remote Control.....	1-27
1.7.4.2 D-TEC®.....	1-28
1.7.4.3 Additional Accessory Options.....	1-30
<b>Section 2 Installation</b> .....	<b>2-1</b>
2.1 Pre-Installation Check.....	2-1
2.2 Installation Equipment.....	2-3
2.3 Installation Hardware.....	2-4

2.4 Installation Dimensions .....	2-5
2.4.1 Mast Installation Dimensions .....	2-6
2.4.2 Support Bracket Assembly Dimensions.....	2-8
2.4.3 Universal Control Box Dimensions .....	2-9
2.4.4 EMI Filter Dimensions (optional equipment).....	2-11
2.5 Power Supply Requirements.....	2-11
2.6 Mast System Installation .....	2-12
2.6.1 Installation Quick Summary .....	2-12
2.6.2 Installation Detailed Instructions .....	2-12
2.6.2.1 Select a Suitable Mounting Location.....	2-13
2.6.2.2 Unpack the Mast System .....	2-14
2.6.2.3 Secure the Support Bracket Assembly .....	2-15
2.6.2.4 Secure the Base of the Mast.....	2-16
2.6.2.5 Finalize Physical Installation of the Mast .....	2-16
2.6.2.6 Secure the Universal Control Box.....	2-18
2.6.2.7 Electrically Install the Mast System.....	2-19
2.6.2.8 Connect Power to the Mast System.....	2-21
2.7 Additional Accessory Installation.....	2-23
2.8 Test the Installation .....	2-24
2.9 Install Payload.....	2-25
<b>Section 3 Operation .....</b>	<b>3-1</b>
3.1 Pre-Operation Check .....	3-1
3.2 Operation Equipment .....	3-3
3.3 Controls .....	3-4
3.3.1 Universal Control Box (Powered Operation).....	3-4
3.3.2 PC Interface (Powered Operation).....	3-4
3.3.3 Crank Handle Assembly (Manual Operation) .....	3-4
3.4 Universal Control Box Operation.....	3-5
3.4.1 Detailed Instructions .....	3-5
3.4.1.1 Prepare the System for Powered Operation .....	3-5
3.4.1.2 Extend the Mast with UP/DOWN Switch.....	3-6
3.4.1.3 Extend the Mast with OVERRIDE Switch (Emergency Operation) .....	3-7
3.4.1.4 Retract the Mast with UP/DOWN Switch .....	3-8
3.4.1.5 Retract the Mast with OVERRIDE Switch (Emergency Operation) .....	3-9
3.4.1.6 Access the Cycle Count and Temperature with UP/DOWN Switch .....	3-10
3.5 PC Interface Operation .....	3-10
3.6 Crank Handle Operation .....	3-11
3.6.1 Quick Reference .....	3-11
3.6.2 Detailed Instructions .....	3-12
3.6.2.1 Prepare the System for Manual Operation .....	3-12
3.6.2.2 Extend the Mast with Crank Handle Assembly .....	3-13
3.6.2.3 Retract the Mast with Crank Handle Assembly .....	3-14
<b>Section 4 Transportation .....</b>	<b>4-1</b>
4.1 General Transportation .....	4-1

4.2 Shipping ..... 4-2

**Section 5 Maintenance ..... 5-1**

5.1 Pre-Maintenance Check..... 5-1

5.2 Maintenance Equipment ..... 5-3

5.3 Spare Parts ..... 5-3

5.4 Preventative Maintenance Checks and Services (PMCS)..... 5-3

    5.4.1 Schedule ..... 5-4

    5.4.2 Lubricate the Drive Screw..... 5-7

    5.4.3 Mast Damage..... 5-8

    5.4.4 Maintenance in Corrosive Environments ..... 5-9

        5.4.4.1 Maintenance Schedule ..... 5-9

        5.4.4.2 Required Tools and Materials ..... 5-9

        5.4.4.3 Inspect and Repair ..... 5-10

        5.4.4.4 Clean and Lubricate (Monthly) ..... 5-10

        5.4.4.5 Clean and Lubricate (Annually)..... 5-13

5.5 Long-Term Storage ..... 5-1

5.6 Mast System Disposal..... 5-1

**Section 6 Troubleshooting ..... 6-1**

6.1 Error Conditions ..... 6-1

6.2 Error (Fault) and Warning Codes ..... 6-4

    6.2.1 Error (Fault) Codes ..... 6-5

    6.2.2 Warning Codes ..... 6-9

**Section 7 Reference..... 7-1**

7.1 Extended Glossary of Terms..... 7-1

    7.1.1 General Terms and Abbreviations ..... 7-1

    7.1.2 Mounting Position Terms ..... 7-2

7.2 Guying ..... 7-3

7.3 Drawings ..... 7-3

## Table of Figures

Figure 1-1 Mast (6-Meter Stiletto AL P/N: 711990692 Shown) ..... 1-9

Figure 1-2 Drain Hole (Base of 6-Meter Stiletto AL P/N: 711990692 Shown)..... 1-10

Figure 1-3 Collars (Collars from the 6-Meter Stiletto AL P/N: 711990692 Shown) ..... 1-11

Figure 1-4 Top Tube Ring (Top Tube Ring for 6-Meter Stiletto AL P/N: 711990692 Shown) ..... 1-12

Figure 1-5 Drive Assembly (Not to Scale)..... 1-13

Figure 1-6 Support Bracket Assembly (Not to Scale) ..... 1-15

Figure 1-7 Fully Extended Limit Switch..... 1-16

Figure 1-8 Motor and Brake Cable..... 1-16

Figure 1-9 Sensor Cable ..... 1-17

Figure 1-10 Fully Extended Limit Switch Cable ..... 1-17

Figure 1-11 EMI Filter ..... 1-18

Figure 1-12 Power Cable Connector ..... 1-18

Figure 1-13 Identification Plate (P/N: 4518302 Shown)..... 1-19

Figure 1-14 Crank Handle Assembly ..... 1-19

Figure 1-15 Grease Gun ..... 1-20

Figure 1-16 Universal Control Box..... 1-21

Figure 1-17 Universal Control Box Components ..... 1-22

Figure 1-18 Hand-Held Remote Control ..... 1-27

Figure 1-19 D-TEC (P/N: 5354901 Shown) ..... 1-28

Figure 2-1 Mast Installation Dimensions (Not to Scale)..... 2-7

Figure 2-2 Support Bracket Assembly Bolt Hole Pattern ..... 2-8

Figure 2-3 Universal Control Box Installation Dimensions (Measurements in Inches)..... 2-10

Figure 2-4 Drain Hole Location ..... 2-13

Figure 2-5 Shipping Crate ..... 2-14

Figure 2-6 Ground Stud Locations ..... 2-17

Figure 2-7 Universal Control Box Ground Location ..... 2-18

Figure 2-8 Stiletto AL Wiring (Not to Scale) ..... 2-19

Figure 2-9 Universal Control Box Schematic (Revision M)..... 2-20

Figure 2-10 Emergency Stop Switch Kit ..... 2-21

Figure 2-11 Power Cable Connector Wiring ..... 2-22

Figure 2-12 Flat Spots on Collars ..... 2-23

Figure 2-13 Mounting Hole Pattern ..... 2-26

Figure 3-1 UP/DOWN Switch Up Position ..... 3-6

Figure 3-2 OVERRIDE Switch Engage Position and UP/DOWN Switch Up Position ..... 3-7

Figure 3-3 UP/DOWN Switch Down Position..... 3-8

Figure 3-4 OVERRIDE Switch Engage Position and UP/DOWN Switch Down Position ..... 3-9

Figure 3-5 Manual Override ..... 3-13

Figure 5-1 Left: Over 25% Of Threads Worn or Missing; Right: New Extension Nut ..... 5-6

Figure 5-2 Grease Port ..... 5-7

Figure 3 Extend Mast ..... 5-10

Figure 4 Gently Clean Out Lock Housing Assembly Cavity (Bottom) With Pick..... 5-11

Figure 5 Blow Out Excessive Debris..... 5-11

Figure 6 Apply Lubricant in Short, Controlled Bursts ..... 5-12

Figure 7 Ensure Mast is Fully Nested ..... 5-13

Figure 8 Lock Housing Assembly Strip ..... 5-13

Figure 9 Remove Bottom Trigger Plate ..... 5-14

Figure 10 Detach Lock Housing Assembly ..... 5-14

Figure 11 Gently Clean Out Lock Housing Assembly Cavity (Bottom) With Pick..... 5-15

Figure 12 Blow Out Excessive Debris..... 5-16

Figure 13 Apply Lubricant in Short, Controlled Bursts ..... 5-17

Figure 14 Ensure Corner of Spring is in the Pocket Corner ..... 5-18

Figure 15 Ramp Feature Must Face the Back of the Lock Housing Assembly Strip ..... 5-19

Figure 16 Reattach Lock Housing Assembly Strip to Mast..... 5-20

Figure 7-1 Lay Out Guy Lines ..... 7-3



## Table of Tables

Table 1-1 Catalog Mast Part and Model Numbers.....	1-4
Table 1-2 Stiletto AL Mast System Specifications .....	1-4
Table 1-3 D-TEC Specifications.....	1-29
Table 1-4 Additional Accessory Options .....	1-30
Table 2-1 Equipment Recommended for Installation.....	2-3
Table 2-2 Installation Hardware .....	2-4
Table 2-3 Mast Installation Dimensions .....	2-6
Table 2-4 Support Bracket Assembly Bolt Hole Pattern Dimensions .....	2-9
Table 2-5 Circuit Breaker Specifications.....	2-11
Table 3-1 Equipment Recommended for Operation .....	3-3
Table 5-1 Equipment Recommended for Maintenance .....	5-3
Table 5-2 Preventative Maintenance Schedule .....	5-4
Table 6-1 Troubleshooting Error Conditions .....	6-1
Table 6-2 Error (Fault) Codes .....	6-5
Table 6-3 Warning Codes .....	6-9

## Document History

Document Numbers	Dates	Remarks
TP-5418901-00	August 23, 2017	Initial Release
TP-5418901-A	May 24, 2018	Updated to reference the Roof Seal Kit (Sections 1.6.4.3 and 2.6). Updated Extension Nut cycles to 5,000.
TP-5418901-B	August 2, 2018	Updated Section 1.6.4.2 and the D-TEC references throughout.
TP-5418901-C	January 21, 2019	Updated Section 5.4.2. Minor verbiage and grammatical changes throughout manual.
TP-5418901-D	December 4, 2019	Updated Section 1.5, 1.6.1.2, 2.9, 3.1, 3.4.2.6, and 4.
TP-5418901-E	February 17, 2020	Update to Table 1-2. Minor grammatical changes throughout manual.
TP-5418901-F	August 7, 2020	Update to Table 1-2. Minor grammatical changes throughout manual. Add copy of latest CE Certificate of Conformance. Added optional EMI Filter information
TP-5418901-G	March 16, 2021	Updated contact information and CE
TP-5418901-H	March 23, 2021	Described finish options more thoroughly (1.6)
TP-5418901-J	June 14, 2021	Updated Specifications Table
TP-5418901-K	October 12, 2021	Added more information about maintenance in corrosive environments.
TP-5418901-L	March 8, 2023	Added Warranty Coverage Procedure.
TP-5418901-M	May 9, 2023	Updated Fully Extended Limit Switch P/N and graphics.

## Safety Summary

This section describes safety precautions for the Stiletto AL. These are recommended precautions that personnel must understand and apply throughout many phases of installation, operation, transportation, maintenance, storage, and troubleshooting. Be sure the read and understand the entire manual, and contact The Will-Burt Company with any questions, before performing any procedure outlined in this manual.

## Signal Word Definitions

Per the ANSI Z535.4 standard, the following signal words and definitions are used to indicate hazardous situations:

### DANGER

DANGER indicates an imminently hazardous situation that, if not avoided, will result in death or serious injury.

### WARNING

WARNING indicates a potentially hazardous situation that, if not avoided, could result in death or serious injury.

### CAUTION

CAUTION indicates a potentially hazardous situation that, if not avoided, may result in minor or moderate injury. It is also used to alert against unsafe practices.

## General Safety Instructions

The following are general safety precautions that are not related to any specific procedures. These are recommended precautions that personnel must understand and apply throughout installation, operation, transportation, maintenance, storage, and troubleshooting. Additional precautions that apply to specific procedures and steps may be listed with the procedure or step to which they apply.

### DANGER

**Electrocution Hazard!** Contact with high voltage will result in death or serious injury. Observe general safety precautions for handling equipment using high voltage. Do not locate or operate mast near electrical lines, cables or other unwanted sources of electricity. Be sure to allow sufficient clearance on all sides of the mast to allow for side sway. Do not operate mast in lightning. Be certain electrical cables are undamaged and properly terminated. Always disconnect power before performing service, repair or test operations.

### DANGER

**Relocation/Driving Hazard!** Do not relocate the system during operation or while the mast is extended to any height above the nested position or powered up. Do not move vehicle until the mast has been securely nested and isolated from power. Power-up and operate the mast only if the vehicle is stationary and securely parked with the parking brake properly applied. Do not move vehicle without the vehicle interlock circuit installed to confirm the mast is nested.

Relocating the system during operation or after mast is extended could result in death or serious injury. Contact Will-Burt Engineering for special on-the-move situations for military only use.

**⚠ WARNING**

**Safety Instruction – Read Manual!** Failure to follow operating instructions could result in death or serious injury. Read and understand the operating instructions before using the mast.

**⚠ WARNING**

**Resuscitation!** Personnel working with or near high voltages should be familiar with modern methods of resuscitation. Such information may be obtained from the Bureau of Medicine and Surgery.

**⚠ WARNING**

**Trained Personnel Only!** Only trained and qualified personnel should perform installation, operation, and maintenance procedures. Death or serious injury could result if proper procedures are not observed.

**⚠ WARNING**

**Safety Equipment!** Helmets or hard hats, eye protection, gloves, and safety shoes shall be properly worn while working in the deployment area. Improperly secured payload components, ice formations, etc. could be dislodged from the mast and fall. Death or serious injury could result if proper safety equipment is not properly worn.

**⚠ WARNING**

**Crush Hazard – Mast Failure!** Do not stand directly beneath the mast or its payload. Be certain the payload is properly installed and secured. Death or serious injury could result if mast fails suddenly.

**⚠ WARNING**

**Equipment Damage – Lock Mechanism!** Do not modify the mast lock mechanism or lock housing or attach any components to the lock housing. Do not remove the locks with the mast extended. Equipment damage and dangerous mast collapse could occur if the lock mechanism is modified. Do not let the payload control/power cables get between the lock housing and the lock post during retraction. Pinching the cable with the lock during nesting can result in an unsafe operating condition or damaged to cables.

**⚠ WARNING**

**Equipment Damage – Submerged!** Do not submerge the mast in liquid or operate the vehicle in a fording situation that would result in a submerged mast.

**⚠ WARNING**

**Health and Safety Hazard!** Solvent used to clean parts is potentially dangerous. Follow solvent manufacturer's safety procedures and recommendations. Avoid inhalation of fumes and also prolonged contact to skin. Death or serious injury could occur if solvents are not handled properly.

**⚠ WARNING**

**Fire Hazard!** Cleaning solvent, used for maintenance, is flammable and can be explosive resulting in death or serious injury. Do not smoke. Use cleaning solvent in a well-ventilated area. Keep cleaning solvent away from ignition sources. Always store cleaning solvent in the proper marked container.

**⚠ WARNING**

**Tip Over Hazard!** Mast tip over could result in death or serious injury. Do not operate in high winds. Be certain mast is level, stable, and secure before and during installation, operation, maintenance, and transportation. Stand clear of mast and mast payload during operation. Before operating, the base section shall be within:

- 10° of vertical for models at or below 10M extended height
- 5° of vertical for models above 10M extended height

**⚠ WARNING**

**Pinch Point Hazard!** Moving parts can crush and cut resulting in death or serious injury. Keep clear of moving parts while operating mast.

**⚠ WARNING**

**Mounting Structure Hazard!** Before installation, ensure the mounting structure is capable of resisting forces generated from all loading and environmental conditions, including, but not limited to, Mast System size and weight, payload size and weight, vehicle dynamic loads, sail size, wind speed, support bracket or roof line location and base plate assembly. The lower structure at the base plate shall be sized to support all vertical loads from the mast and payload. The support bracket is not intended to carry vertical loads. The support bracket mounting structure and the base plate mounting structure shall be tied to the same vehicle structure/frame (i.e. do not mount the support bracket to vehicle body and the base plate to the vehicle chassis frame. This would put the vehicle suspension system between the mounting points). Mounting the Mast System into a structure unable to resist the forces generated from the customer-specific loading scenario could result in death or serious injury and could damage the Mast System.

**⚠ WARNING**

**Lifting Hazard – Intended Use!** The mast is intended to lift a specific payload for lighting, surveillance or communication use only. Any other use without written consent is prohibited and could cause death or serious injury. Do not use mast to lift personnel. Do not exceed specified payload capacity. Large payload wind sail areas can reduce payload capacity. Consult Will-Burt engineering.

**⚠ WARNING**

**Mast Extension Hazard!** Extending mast into obstructions could result in death or serious injury and could render the mast inoperable and partially extended. Before applying power and operating the mast, be certain there is sufficient clearance above and to all sides of the expected location of the fully extended mast and payload. Keep all persons clear of mast and mast extension. Do not lean directly over the mast.

**⚠ WARNING**

**Safety Instruction – Observe Proper Lifting Procedures!** Use extreme caution while lifting the Mast System and when Mast System is suspended to avoid injury and equipment damage. Be certain the Mast System is properly secured. All operators should be aware of and follow the applicable local, regional, and national standards and codes of practice for slinging and transporting equipment. Never lift Mast System over people. Ensure lifting equipment including, but not limited to, lifting straps and hoist, are capable of handling the forces generated from lifting the system. Observe manufacturer instructions on lifting equipment. Death or serious injury could result if proper procedures are not followed.

**⚠ WARNING**

**Safety Instruction – Operation!** For outdoor use only. Do not use in areas that have been classified as hazardous as defined in Article 500 of the National Electric Code.

**⚠ WARNING**

**Safety Instruction – Potential Air Contaminants!** If internally mounted in a vehicle, air from the mast and any accumulated water will discharge into the vehicle. Appropriate drainage location shall be defined by the installer.

**⚠ CAUTION**

**Disconnect Power!** Power must be disconnected before connecting or disconnecting any Mast System connector. For example, power must be disconnected when connecting or disconnecting J1, J2, J3, and J4 on the Control Box. Do not disconnect the power cable from J1 on the Control Box or from the power source while the mast is in motion (extending or retracting). This could result in damage to the Control Box.

**⚠ CAUTION**

**Equipment Damage – Control Box!** Do not open the Universal Control Box. The Universal Control Box is vacuum-sealed at the factory. Opening the Universal Control Box could cause equipment damage and will void the warranty.

**⚠ CAUTION**

**Equipment Damage – Forces!** Before unloading the system, be certain the unloading region is capable of resisting forces generated from unloading the system including but not limited to system weight. Ensure the unloading region is level and has sufficient room and strength to hold the system. If the unloading region is incapable of meeting the requirements of the system, damage to the system and/or unloading region could occur.

**⚠ CAUTION**

**Equipment Damage – Qualified Personnel!** All persons installing and maintaining this equipment should be suitably qualified and work to local, regional, and national standards and codes of practice.

**⚠ CAUTION**

**Equipment Damage – Support Bracket!** Do not overtighten the mast support bracket. Overtightening may damage the Base Tube causing the mast tubes to stick.

**⚠ CAUTION**

**Safety Instruction – Roof Access!** If mast will be mounted to a vehicle, the operator must provide safe means to access the roof of the vehicle during installation and maintenance.

**⚠ CAUTION**

**Safety Instruction – Mast Access!** The operator must provide safe means to access the top of the mast during installation and removal of the payload.

**⚠ CAUTION**

**Lifting Hazard – Manually Lifting!** Manually lifting over 55 lb. (25 kg) is prohibited. In the UK, all lifting equipment must be thoroughly examined annually by a competent person according to the Lifting Operations and Lift Equipment Regulations 1998. Equivalent regulations exist in other EU states.

**⚠ CAUTION**

**Entanglement Hazard!** Tangled cables can cause equipment damage. Ensure payload cables, are not tangled and are free to pay out as mast is extended.

**⚠ CAUTION**

**Frozen Water Hazard!** Water freezing inside mast may render mast inoperable and cause major equipment damage such as tube deformation. Ensure the mast drain at the base plate is not obstructed.

The following list contains reasonably foreseeable misuses of the mast system according to EN ISO 12100 5.3.2. These uses shall be avoided:

- Operating the mast with an obstruction in the functional space that prevents full extension or retraction
- Operating the mast near overhead power lines
- Operating the mast without the mast and operating space visible to the operator
- Driving the vehicle with the mast in a deployed position (any height above the nested position) or powered-up or without opening venting the mast to atmosphere
- Operating the mast or leaving deployed in wind speeds higher than the specified maximum velocity
- Operating the mast on a non-level surface greater than the specified maximum angle
- Installing a payload greater than the maximum rated payload (weight and sail area) of the mast

## Symbols

The following are symbols that are used with the system and their meaning. Contact The Will-Burt Company with any questions before performing any procedure outlined in this manual.



This symbol indicates an electrocution hazard or hazardous voltage hazard. There is DC voltage present inside the mast and control box. Do not operate mast near electrical lines or during lightning events. Contact with high voltage will result in death or serious injury.



This symbol indicates a pinch point hazard. Keep fingers and hands clear of moving parts.



This symbol indicates a tip-over hazard. The mast must be properly supported during transport, installation, maintenance and operation. System tip-over could result in death or serious injury.



This symbol indicates a general warning. In this unit, this symbol indicates a frozen water hazard. Do not block the mast drain port at the base of the unit. Water must be permitted to exit the mast to avoid ice damage to the mast.



This symbol is used to remind users to read and understand the operator's manual before operating the Mast System. Failure to follow operating instructions could result in death or serious injury. Read and understand operator's manual before operating or installing the mast system.



This symbol indicates a hard hat is required when working under the mast operating area. Failure to wear a hard hat could result in death or serious injury.



This symbol indicates an electrical ground connection point.



This symbol is used to indicate the center of gravity (COG) of a fully nested mast.



## Section 1 Introduction & Intended Use

Review this manual in its entirety. Contact The Will-Burt Company with any questions before performing any procedure outlined in this manual. The views depicted in this manual are provided for clarification and are subject to change without notice. Views are not to scale.

This manual describes installation, operation, transportation, maintenance, storage, and troubleshooting procedures for the Stiletto AL Mast System. These procedures assume the use of standard catalog Mast Systems. Procedures and characteristics for Mast Systems customized to meet customer-specific needs may vary.

This manual is for the following Stiletto masts:

- 4-Meter Stiletto AL
- 6-Meter Stiletto AL
- 8.54-Meter Stiletto AL
- 10-Meter Stiletto AL
- 15-Meter Stiletto AL

This manual is not for the following masts:

- Stiletto (3, 4, 6, 10 or 15-Meter)
- Stiletto HD (4, 6, or 10-Meter)

See [www.willburt.com](http://www.willburt.com) for information on these and other Will-Burt products.

A typical Stiletto AL Mast System consists of:

- A telescoping mast with a 28 VDC Drive Assembly and a Support Bracket Assembly
- Universal Control Box
- Optional Accessories

The Stiletto AL mast system is intended to be installed and operated by trained professionals to elevate critical payloads. It is not intended for use by non-professionals. The Stiletto AL mast is designed to lift a specific payload for lighting, surveillance, or communication use only. Do not use the mast to lift personnel. The mast is intended for stationary use. Contact The Will-Burt Company with any questions on the intended use, special on-the-move use for military applications only, or available training programs for installation and operation.

---

## 1.1 Specification Compliance

### CE Declaration of Conformity

Refer to the Product page at [www.willburt.com](http://www.willburt.com) for the latest Declaration of Conformity.

## 1.2 Safety Precaution Notification

Refer to the Safety Summary for precautions to be observed while installing, operating, or maintaining this equipment.

## 1.3 Manual Organization

This manual is organized into the following sections:

Section 1 Introduction

Section 2 Installation

Section 3 Operation

Section 4 Transportation

Section 5 Maintenance

5.5 Long-Term Storage

Section 6 Troubleshooting

Section 7 Reference

## 1.4 Definitions of Terms

Throughout this manual, the following terms are used:

- “Mast” to refer to the mechanical telescoping mast
- “Mast System” to refer to the entire Stiletto AL Mast System (telescoping mast, Universal Control System, and additional accessories)
- “Payload” to refer to the object or equipment being raised by the mast to an operational height

See Section 7.1 for an Extended Glossary of Terms used within this manual. The Extended Glossary of Terms includes:

- General Terms and Abbreviations (Section 7.1.1)
- Mounting Position Terms (Section 7.1.2)

## 1.5 Specifications

This section describes specifications for the Mast System. The specifications listed in this section are for catalog masts only. Masts with other heights, capacities, and finishes are available. For more information on additional mast sizes, capabilities, and finishes, see [www.willburt.com](http://www.willburt.com).

Table 1-1 Catalog Mast Part and Model Numbers

Part Number*	Model Number
711990491	4-Meter
711990692	6-Meter
711990890	8.54-Meter
711991010	10-Meter
711991591	15-Meter

\* Part Numbers listed are for standard catalog masts only. Additional options are available.

Table 1-2 Stiletto AL Mast System Specifications

Specifications*	4-Meter	6-Meter	8.54-Meter	10-Meter	15-Meter
<b>Physical Characteristics</b>					
Fully Extended Height (+50 / -50 mm) (+2.0 / -2.0 inches)	4 m	6 m	8.54 m	10 m	15 m
	13.1 feet	19.6 feet	28 feet	32.8 feet	49.2 feet
Fully Nested Height (+2.0 / -5.0 mm) (+0.08 / -0.2 inches)	1.28 m	1.58 m	1.88 m	2.10 m	2.65 m
	50.4 inches	62.2 inches	74.02 inches	82.68 inches	104.4 inches
Rated Payload Capacity (center of gravity within 300 mm of mast centerline)	181 kg	181 kg	181 kg	181 kg	158 kg
	400 lb.	400 lb.	400 lb.	400 lb.	350 lb.
Approximate Mast System Weight (Including the Support Bracket Assembly, Control Box, and Cables)	120.2 kg	142.2 kg	165.2 kg	179.2 kg	229.2 kg
	265 lb.	313.5 lb.	364.2 lb.	395 lb.	505.3 lb.
Approximate Mast Weight (Without the Support Bracket Assembly, Control Box, or Cables)	105 kg	127 kg	150 kg	164 kg	214 kg
	232 lb.	280 lb.	330 lb.	360 lb.	472 lb.
Approximate Universal Control Box Weight	2.5 kg				
	5.5 lb.				
Mast Footprint	446 x 284 mm				
	17.56 x 11.18 inches				

*Continued*

*Table 1-2 Stiletto AL Mast System Specifications Continued*

Specifications*		4-Meter	6-Meter	8.54-Meter	10-Meter	15-Meter
Universal Control Box Footprint		311 x 203 mm				
		12.23 x 8.0 inches				
Mast Type		Electro-Mechanical				
Drive System		SSTL Drive Screw				
Emergency Operation		Manual Hand-Crank				
Collar Type		Auto Self-Locking with Integrated Icebreakers				
Number of Sections		5	6	7	7	8
Tube Outside Diameter Range (Base Tube to Top Tube)		250 to 170 mm	250 to 150 mm	250 to 130 mm	250 to 130 mm	250 to 110 mm
		9.84 to 6.69 inches	9.84 to 5.91 inches	9.84 to 5.12 inches	9.84 to 5.12 inches	9.84 to 4.33 inches
Number of Keys		1				
Tube Material		Aluminum				
Height Readout		Meters or US Customary (Request when ordering. Defaults to meters.)				
<b>Electrical Characteristics</b>						
Operating Voltage Range		18.1-33 VDC				
Optimal Voltage (MIL-STD-1275)		28 VDC				
Steady State Current Draw (Maximum Operating Conditions)		15-40 Amps				
Inrush Current (Maximum Operating Conditions)		160 Amps				
<b>Wind Performance</b>						
Deployment Wind Speed		64 km/h	64 km/h	56 km/h	56 km/h	48 km/h
		40 mph	40 mph	35 mph	35 mph	30 mph
Survival Wind Speed		209 km/h	185 km/h	153 km/h	129 km/h	100 km/h
		130 mph	115 mph	95 mph	80 mph	62 mph
Rotational Accuracy (Twist)		±1°				

*Continued*

Table 1-2 Stiletto AL Mast System Specifications Continued

Specifications*	4-Meter	6-Meter	8.54-Meter	10-Meter	15-Meter
<b>Extension and Retraction Performance</b> (See Note Below)					
Approximate Extension Time (Powered, 28 VDC)	< 35 seconds	< 60 seconds	< 85 seconds	< 100 seconds	< 150 seconds
Approximate Retraction Time (Powered, 28 VDC)	< 35 seconds	< 60 seconds	< 85 seconds	< 100 seconds	< 150 seconds
<b>Maximum Tilt From Vertical</b> (See Note Below)					
Operational	10°	10°	10°	10°	5°
<b>Maximum Altitude Above Sea Level</b>					
Operational	4572 m (15,000 feet)	4572 m (15,000 feet)	4572 m (15,000 feet)	4572 m (15,000 feet)	4572 m (15,000 feet)
<b>Temperature Performance</b> (See Note Below)					
Operating Temperature Range	-51°C to 60°C (-60°F to 140°F)				
Storage Temperature Range	-51°C to 70°C (-60°F to 158°F)				
<b>Airborn Noise Emissions</b> (measured according to EN ISO 3744:2010)					
Deploying & Retracting	A-weighted sound pressure level: 71 dB(A) C-weighted instantaneous pressure level: 72 dB A-weighted sound power level: 79 dB(A)				
<b>Guying</b>					
Is guying required?	No				
Is guying an option?	Yes. Consult factory.				
					<i>Continued</i>
* Note: <ul style="list-style-type: none"> <li>• Dimensions and specifications are provided for reference only and are not intended for vehicle design purposes.</li> <li>• Specifications may be subject to change without notice.</li> <li>• Maximum payload weight will impact other performance specifications. Consult The Will-Burt Company for additional information.</li> <li>• Maximum Tilt from Vertical assumes the rated payload.</li> <li>• Typical Payload Sail Area (CD = 1.5) is as follows:                             <ul style="list-style-type: none"> <li>○ 4-meter Stiletto AL: 1.58 square meters (17 square feet)</li> <li>○ 6-meter Stiletto AL: 1.11 square meters (12 square feet)</li> <li>○ 8.54-meter Stiletto AL: 1.02 Square meters (11 square feet)</li> <li>○ 10-meter Stiletto AL: 1.02 Square meters (11 square feet)</li> <li>○ 15-meter Stiletto AL: 0.74 square meters (8 square feet)</li> </ul> </li> </ul> Consult factory for larger sail areas, as the payload and wind capacities may be reduced.					

## 1.6 Finishes

The Will-Burt Company offers a variety of finishes designed to prolong the life of the mast and reduce maintenance. The Drive Assembly Cover, Support Bracket, and Base Tube will be painted the appropriate colors. The collars are black anodized regardless of the finish; painted collars are not currently available. Typically, the top and intermediate tubes will not be painted but will have a black anodized finish, however, paint finishes for these tubes are available. Contact The Will-Burt Company for details. CARC finish is available for the Drive Assembly Cover and Base Tube, but not the intermediate and top tubes.

Note: If a paint other than a black anodized finish is used on the intermediate and top tubes, the wearing on the painted intermediate and top tubes will not be covered under the warranty. This is because flat paints show more wear and are less suitable for intermediate and top tubes as compared to the black anodized finish.

The keyway on the external surface of each tube may discolor from black oxide finish to a dull gray finish, this is considered normal and may occur over the course of time. This does not affect the functionality of the mast and is only cosmetic.

For information on available mast finishes, see [www.willburt.com](http://www.willburt.com).

## 1.7 Major Components

This section describes major components of a Mast System assuming the use of standard catalog Mast Systems. Characteristics of components customized to meet customer-specific needs may vary. If necessary, contact The Will-Burt Company for additional details.

Major components of the Mast System include:

- Telescoping Mast
  - Collars
  - Top Tube Ring
  - Drive Assembly
  - Support Bracket Assembly
  - Fully Extended Limit Switch (P/N: 5656301-XXXX)
  - Motor and Brake Cable (P/N: 5433101)
  - Mast Sensor Cable (P/N: 5433201)
  - Fully Extended Limit Switch Cable (P/N: 5427901)
  - Power Cable Connector (P/N: 213075)
  - Identification Plate (P/N: 451830xx)
  - Crank Handle Assembly (P/N: A3209918)
  - Grease Gun (P/N: 4288501)
  - Label Kit (English) (P/N: 5428301)
- Universal Control Box (P/N: 4453901)
  - Display
  - UP/DOWN Switch
  - OVERRIDE Switch
  - Bulkhead Connectors
  - Printed Circuit Board
- PC Interface
- Accessory Options (Sold Separately)
  - Hand-Held Remote Control
  - D-TEC®
  - Additional Accessory Options



### 1.7.1 Telescoping Mast

The telescoping mast (Figure 1-1):

- Is the structure used to raise the payload to an operational height
- Consists of concentric, nesting mast tubes
- Extends and retracts electro-mechanically
- Is self-locking
- Has one rectangular key along the length of each tube except the Base Tube. This key aligns with the keyway in the next larger adjacent tube's collar and is used to establish azimuth (rotational) integrity.
- Is designed to drain water through a ½-14 NPT threaded port (Figure 1-2) at the base of the mast and does not require a drain plate

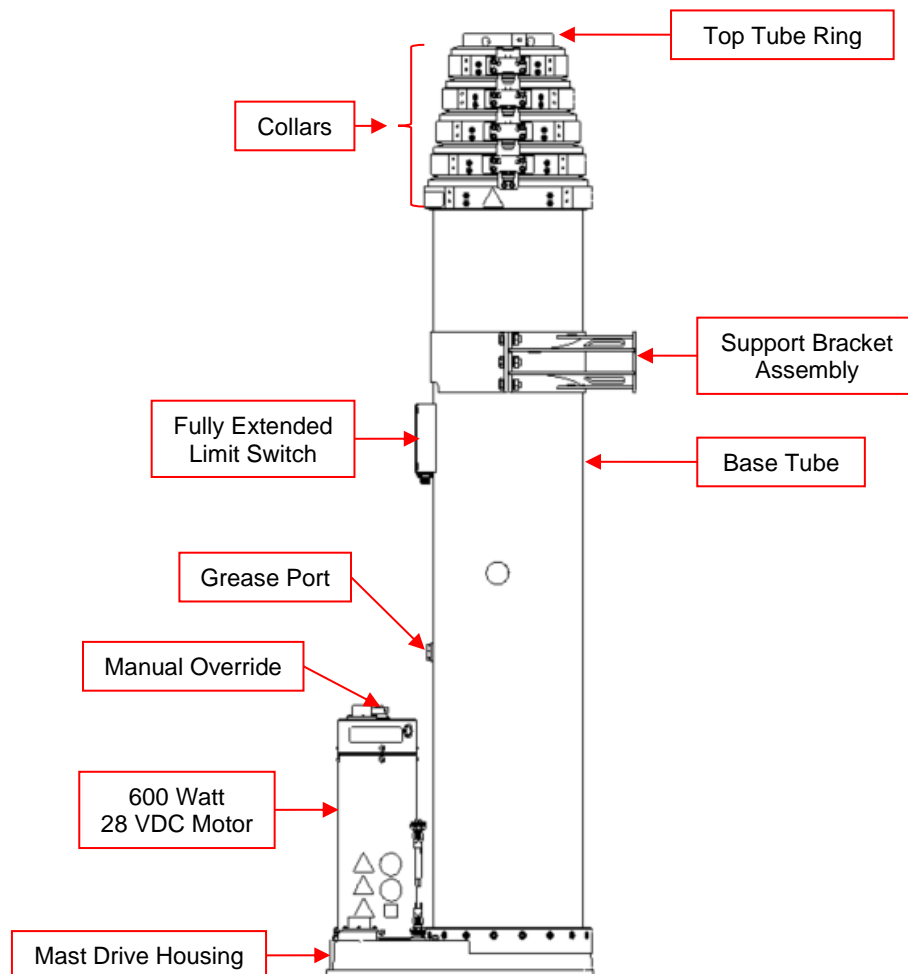


Figure 1-1 Mast (6-Meter Stiletto AL P/N: 711990692 Shown)

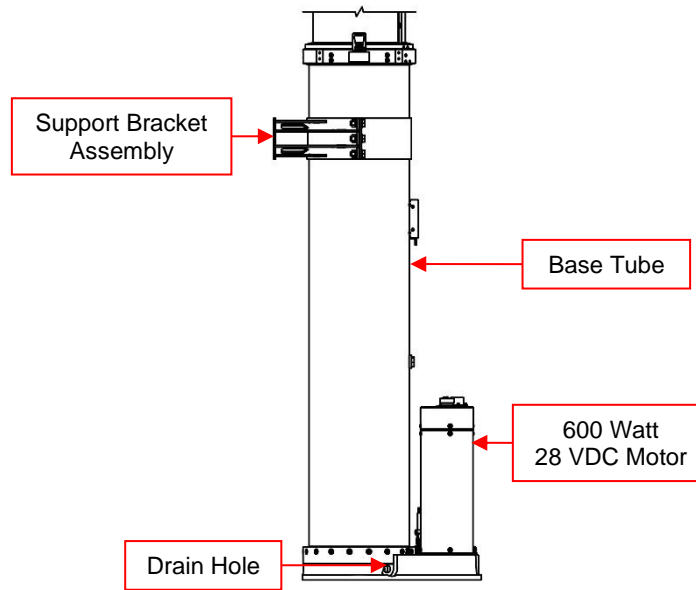


Figure 1-2 Drain Hole (Base of 6-Meter Stiletto AL P/N: 711990692 Shown)

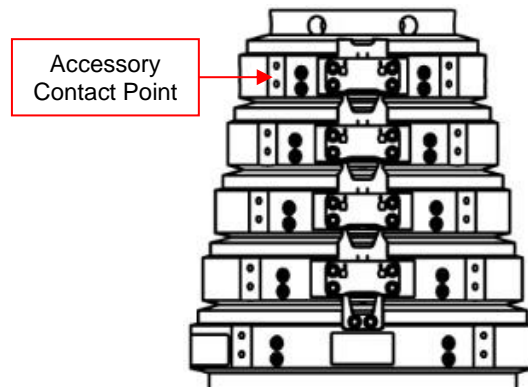
The mast includes:

- Collars (Section 1.7.1.1)
- Top Tube Ring (Section 1.7.1.2)
- Drive Assembly (Section 1.7.1.3)
- Support Bracket Assembly (Section 1.7.1.4)
- Fully Extended Limit Switch (5656301-XXXX) (Section 1.7.1.5)
- Motor and Brake Cable (P/N: 5433101) (Section 1.7.1.6)
- Mast Sensor Cable (P/N: 5433201) (Section 1.7.1.7)
- Fully Extended Limit Switch Cable (P/N: 5427901) (Section 1.7.1.8)
- Power Cable Connector (P/N: 213075) (Section 1.7.1.10)
- Identification Plate (P/N: 451830xx) (Section 1.7.1.11)
- Crank Handle Assembly (P/N: A3209918) (Section 1.7.1.12)
- Grease Gun (P/N: 4288501) (Section 1.7.1.13)
- Label Kit (English) (P/N: 5428301) (Section 1.7.1.14)

### 1.7.1.1 Collars

Collars are fitted to the top end of each tube except the Top Tube which has a Top Tube Ring (Section 1.7.1.2). The collars have:

- Automatic locks
- Integrated dirt/dust wipers and icebreakers. The taper on the collars also reduces the pinch points.
- Four Accessory Contact Points on each collar for the mounting of accessories. The Accessory Contact Points each have two M6x1 threaded holes 10 mm deep. These holes are 15 mm center-to-center apart.



*Figure 1-3 Collars (Collars from the 6-Meter Stiletto AL P/N: 711990692 Shown)*

### 1.7.1.2 Top Tube Ring

- Is attached to the Top Tube
- Contains an Air Filter (P/N: 5417801) used to prevent dirt from entering the mast
- Has a Payload Interface to attach the customer payload or payload adapter. The standard Payload Interface is shown in Figure 1-4. Contact The Will-Burt Company for alternative options.

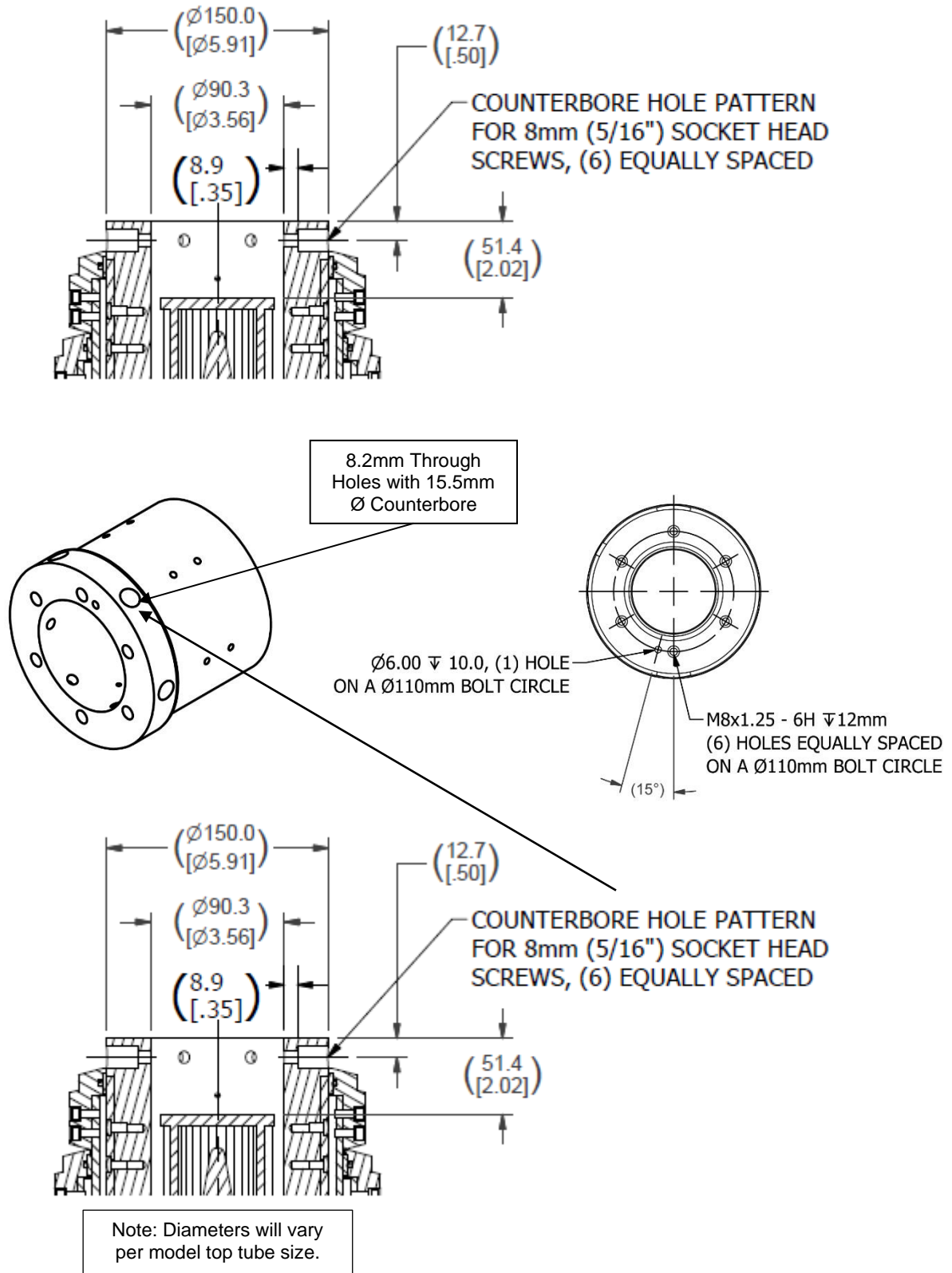


Figure 1-4 Top Tube Ring (Top Tube Ring for 6-Meter Stiletto AL P/N: 711990692 Shown)

### 1.7.1.3 Drive Assembly

The Drive Assembly (Figure 1-5) extends and retracts the mast tubes.

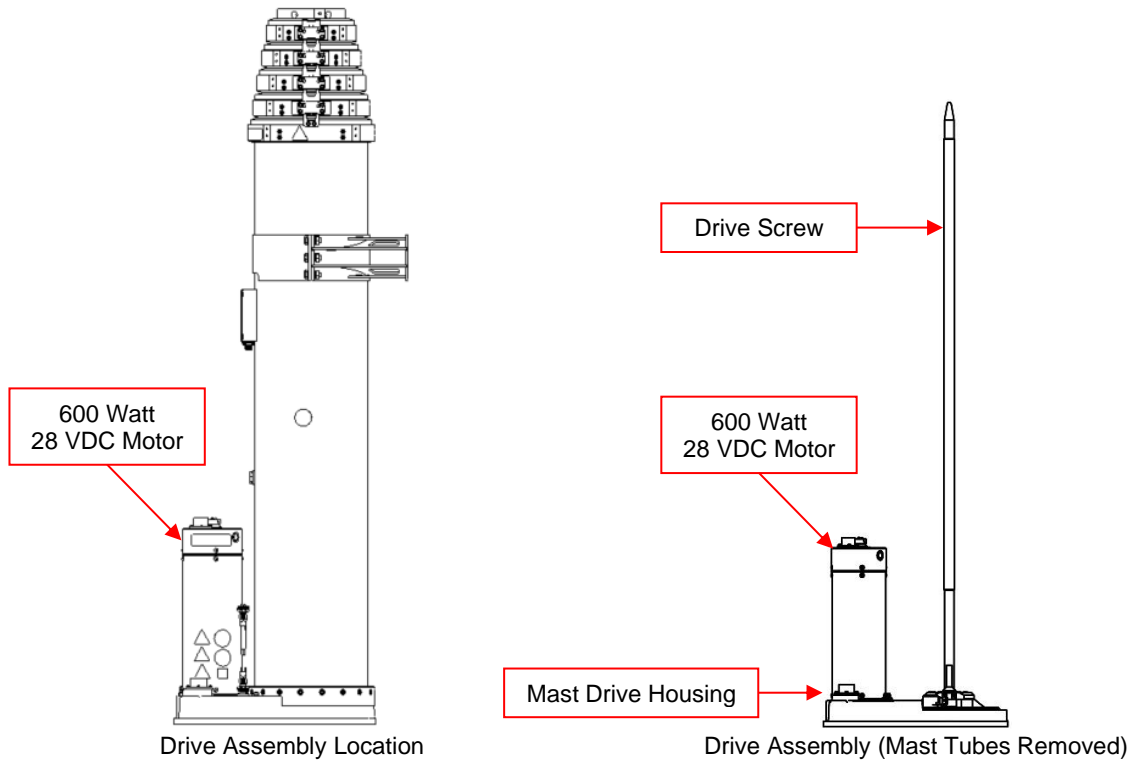


Figure 1-5 Drive Assembly (Not to Scale)

The Drive Assembly includes:

- Drive Screw
- Motor
- Mast Drive Housing

#### Drive Screw

The mast is driven by a stainless steel, electro-mechanical Drive Screw. Each moving tube (all except the Base Tube) has an Extension Nut attached to its bottom which rotates on the Drive Screw.

The Drive Screw:

- Is located in the center of the mast
- Extends and retracts the tubes sequentially as it rotates
- Responds to either input from the Universal Control Box or by manually cranking the motor (with all power disconnected)

## **Motor**

The Motor is used, in powered operation, to rotate the Drive Screw. When power is removed from the Motor, the spring-loaded brake is applied. The brake is always on when power is removed from the system in order to prevent the mast from back driving.

## **Mast Drive Housing**

The Mast Drive Housing:

- Contains the gear drive
- Has connectors for the Mast Sensor Cable and the Fully Extended Limit Switch Cable (Section 1.7.1.8)
- Contents can be accessed for maintenance and repair through the Cover Plate. Only appropriate trained repair and service personnel permitted.

### 1.7.1.4 Support Bracket Assembly

The Support Bracket Assembly (Figure 1-6) secures the mast to the support structure. Along with the mounting holes in the base of the mast, it is an essential part of mounting the Mast System. Hardware to secure the Support Bracket Assembly to the mast ships with the Mast System. Hardware to secure the Support Bracket Assembly to the support structure varies based on the customer-specific mounting application and is customer-provided.

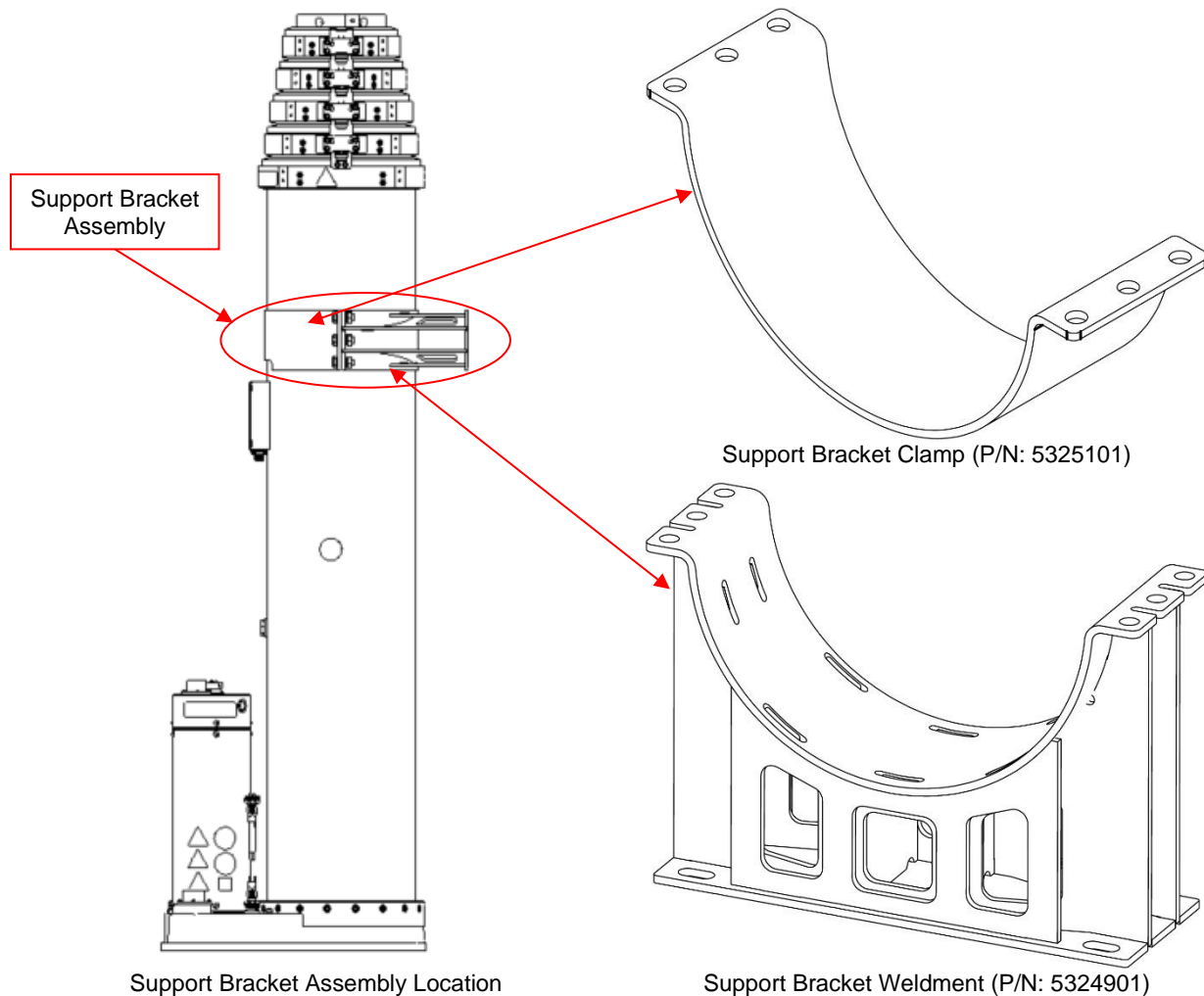


Figure 1-6 Support Bracket Assembly (Not to Scale)

### 1.7.1.5 Fully Extended Limit Switch (P/N: 5656301-XXXX)

The Fully Extended Limit Switch is used to detect when the mast is fully extended (Figure 1-7).

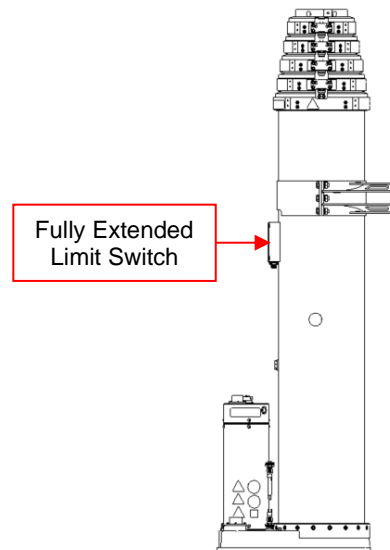


Figure 1-7 Fully Extended Limit Switch

### 1.7.1.6 Motor and Brake Cable (P/N: 5433101 for 3M Cable)

The Motor and Brake Cable (Figure 1-8):

- Provides power to the Motor and Brake
- Is ten feet (three meters) long as standard (other lengths available)
- Connectors and cables are environmentally sealed to prevent dust, sand, or moisture intrusion
- Has 4-pin military screw-type connectors on each end for ease of installation and to prevent environmental intrusion
- Is unshielded and not rated for Military Specification EMI/EMC compliance. For Military Specification EMI/EMC shielded cables should be specified at the time of the order.

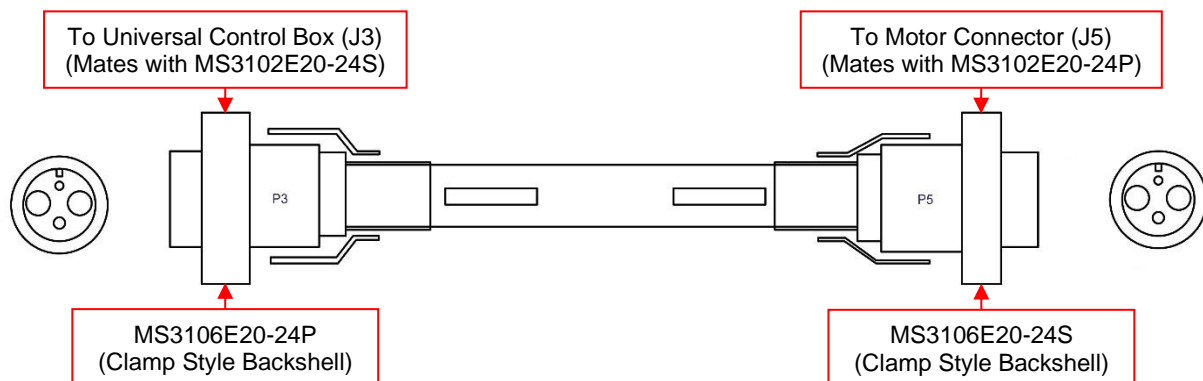


Figure 1-8 Motor and Brake Cable



### 1.7.1.7 Mast Sensor Cable (P/N: 5433201 for 3M Cable)

The Mast Sensor Cable (Figure 1-9):

- Transfers signals to the mast
- Is ten feet (three meters) long as standard (other lengths available)
- Connectors and cables are environmentally sealed to prevent dust, sand, or moisture intrusion
- Has 24-pin military screw-type connectors on each end for ease of installation and to prevent environmental intrusion
- Is unshielded and not rated for Military Specification EMI/EMC compliance. For Military Specification EMI/EMC shielded cables should be specified at the time of the order.

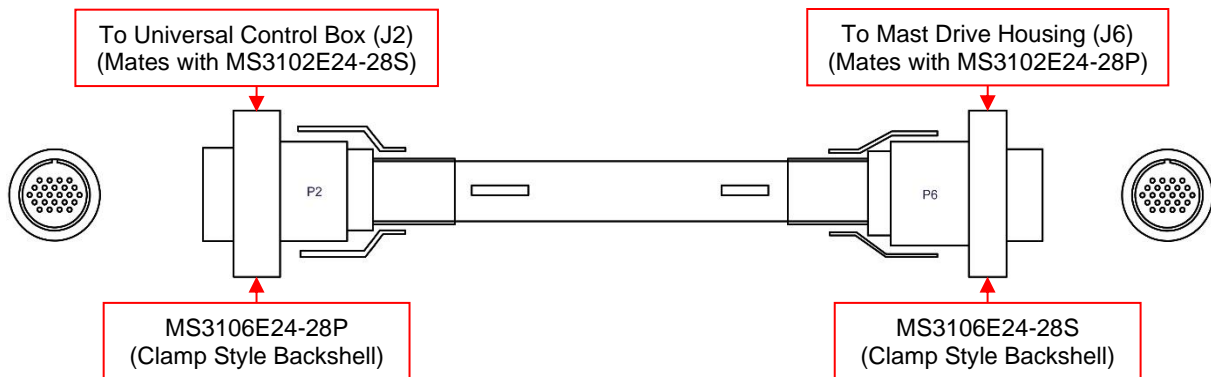


Figure 1-9 Sensor Cable

### 1.7.1.8 Fully Extended Limit Switch Cable (P/N: 5427901)

The Fully Extended Limit Switch Cable (Figure 1-10) transfers signals between the Fully Extended Limit Switch and the Mast Drive Housing (J7).

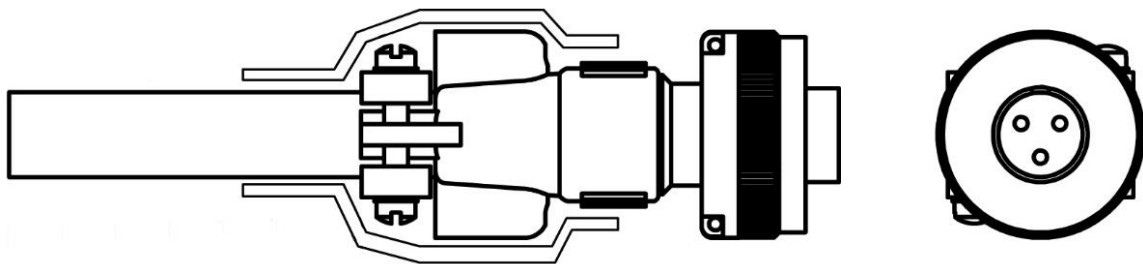


Figure 1-10 Fully Extended Limit Switch Cable

### 1.7.1.9 EMI Filter (optional equipment)

The EMI Filter (Figure 1-11):

- Is required for Military EMC/EMI compliance. (not required for CE compliance)
- Is ordered separately from the mast assembly.
- Includes a shielded cable (multiple lengths available) to the Control Box J1 connector.
- Mates with customer supplied shielded cable to power supply and customer control.

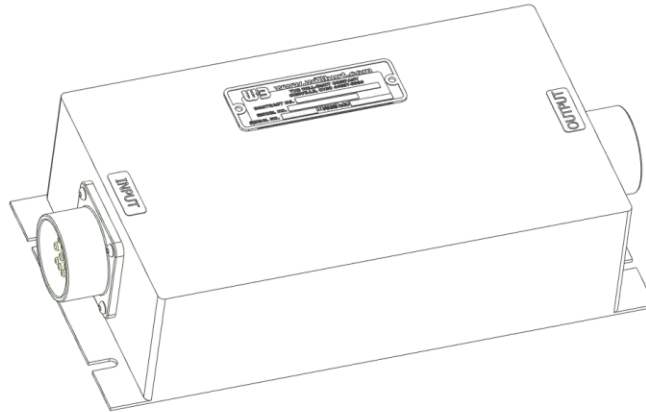


Figure 1-11 EMI Filter

### 1.7.1.10 Power Cable Connector (P/N: 213075)

The Power Cable Connector (Figure 1-12):

- Is a MS3106E24-11S Connector
- Connects the customer-supplied power cable to the Universal Control Box at J1 (or on the optional EMI Filter input side as required)
- Ships with the Mast System



Figure 1-12 Power Cable Connector

### 1.7.1.11 Identification Plate (P/N: 451830xx)

Information pertaining to the mast can be found on the Identification Plates (Figure 1-13):

- On the Mast Drive Housing (P/N: 4518302)
- On the side of the Universal Control Box (P/N: 4518301)

The information on the Identification Plates is the same.

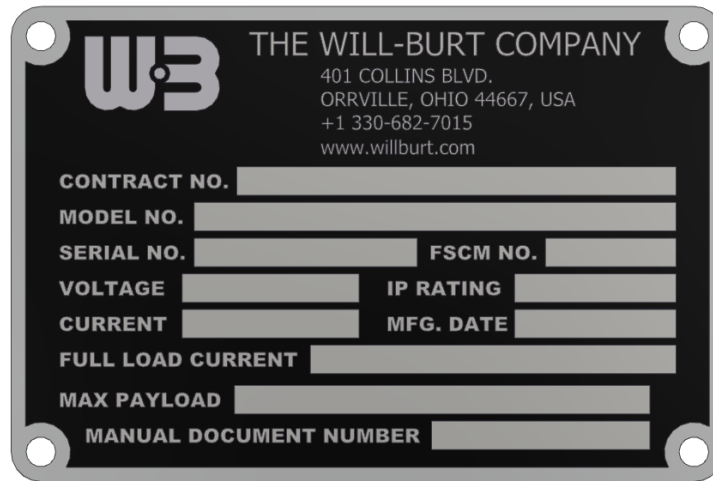


Figure 1-13 Identification Plate (P/N: 4518302 Shown)

### 1.7.1.12 Crank Handle Assembly (P/N: A3209918)

The Crank Handle Assembly (Figure 1-14) can be used to manually crank the Motor to extend and retract the mast.

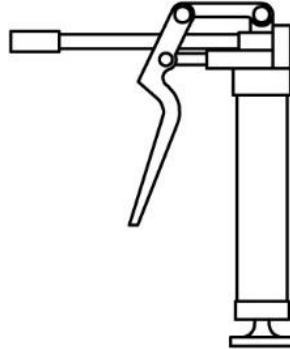
When manually cranking the Motor, it is necessary to remove all power from the Mast System.



Figure 1-14 Crank Handle Assembly

### 1.7.1.13 Grease Gun (P/N: 4288501)

The Grease Gun is used to lubricate the Drive Screw with a super-premium aerospace lubricant which is available from The Will-Burt Company in three fluid ounce cartridges (P/N: 4288601).



*Figure 1-15 Grease Gun*

### 1.7.1.14 Label Kit (English) (P/N: 5428301)

The Label Kit is used to identify potential hazards and connection points within the Mast System. These labels come installed on the Mast System. Additionally, the Label Kit includes a Ground Straps (P/N: 299053) and hardware used to ground the Mast System and control box.

Contact The Will-Burt Company for information pertaining to alternate language label kits.

### 1.7.2 Universal Control Box (P/N: 4453901)

This section describes the standard Universal Control Box. Additional options are available. Contact The Will-Burt Company for additional information.

Stiletto AL masts are designed to work with Control boxes operating version 3.0 or later software. These Control Boxes will indicate if the connected mast is a Stiletto AL or Stiletto HD. Old-style Control Boxes will not give this indication. Subsequently, an old-style Control Box will result in an incorrect height readout and permit possible voltage back-feed into the control box which could cause electrical damage. Only operate the mast with version 3.0 or later software.

The standard Universal Control Box (Figure 1-16):

- Combines customer input, power input, sensor input, and power output to allow the customer to extend and retract the mast without running past sensor or software limits
- Contains power MOSFETs to control Motor direction and to dynamically brake the Motor. When a directional command is terminated, the Universal Control Box automatically shorts the Motor leads for a second or two to dynamically brake the Motor. The normally-engaged brake on the Motor also engages to lock the mast and prevent back driving when the mast is not moving (powered or unpowered).
- Can be factory-set to show the intermediate extension height in metric or US customary units.
- Is wired to allow for an optional Hand-Held Remote Control or PC Interface
- Has some self-diagnosis capability (errors and warnings)
- Is housed in an aluminum NEMA 4X box
- Is vacuum-sealed at the factory. Opening the Universal Control Box will void the warranty.



Figure 1-16 Universal Control Box

The Universal Control Box works with input from the:

- “Nested Limit Switch” which:
  - Prevents the mast from being over-nested
  - Installed in the mast
  - An electronic switch triggered by a probe attached to the bottom of the center tube
- “Fully Extended Limit Switch” which:
  - Prevents the mast from being overextended
  - Is integrated in the mast
  - Is a Reed switch mounted outside the base tube that detects a permanent magnet attached to the bottom of the largest moving tube
- “Proximity Sensor”\*:
  - Counts the teeth on a sprocket attached to the Drive Screw
  - Interprets this data as an extension distance to generate the intermediate extension height

Components of the Universal Control Box (Figure 1-16) include:

- Display
- UP/DOWN Switch with Waterproof Boot
- OVERRIDE Switch with Waterproof Boot
- Bulkhead Connectors (J1, J2, J3, and J4)
- Printed Circuit Board (Not shown)

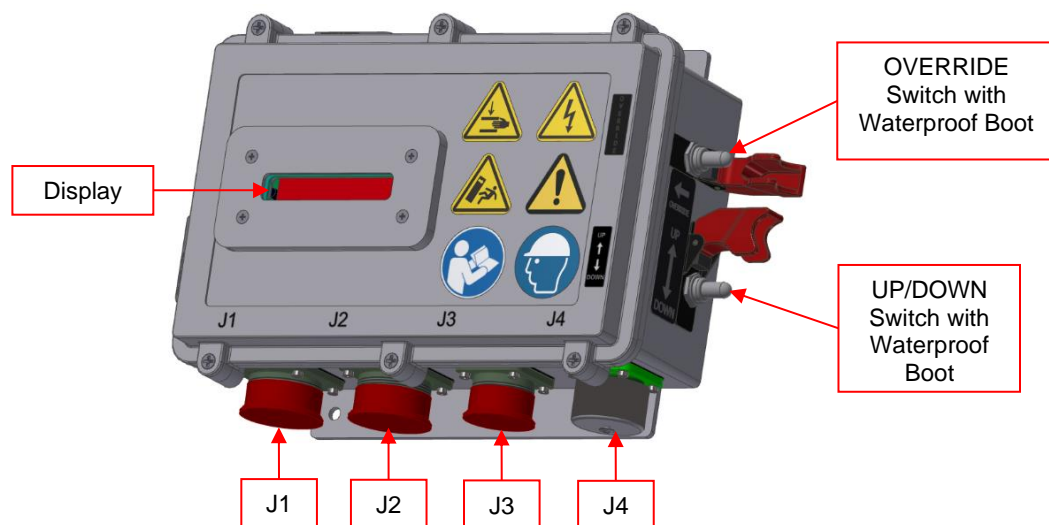


Figure 1-17 Universal Control Box Components

### 1.7.2.1 Display

The Universal Control Box has an eight-digit, infrared secure, green LED alphanumeric display.

The Display shows the:

- Mast Status and software version
- Cycle Count of the Mast
- Error Codes

#### **Mast Status**

Masts Status is shown as:

- “NESTED” when the mast is fully nested
- “DEPLOYED” when the mast is fully extended
- An intermediate extension height (in meters or feet) as interpreted from the Proximity Sensor in real-time as the mast extends

The intermediate extension height is shown:

- In metric mode as “XX.XX M” where:
  - XX.XX is the extension of the mast in meters
  - Resolution is 0.002 meters
  - Accuracy is  $\pm 0.05$  meters
- In US customary mode as “XX.XX F” where:
  - XX.XX is the extension of the mast in feet
  - Resolution is 0.01 feet
  - Accuracy is  $\pm 0.17$  feet

Note: Extension shown on the display of the Universal Control Box is measured from the top of the mast. Height readout does not include the nested height of the mast.

Remember:

$$\text{Total Height} = \text{Mast Extension Height (Shown on Display)} + \text{Mast System Nested Height} + \text{Mounted Height of Mast System}$$

Note: If using the PC Interface, it is possible to enter a Mast Offset Height to account for the nested height of the Mast System and the height the Mast System is off the ground.

In order to output the most accurate intermediate extension height, the mast should:

1. Be returned to the fully nested position where the intermediate extension height automatically returns to zero.
2. Then be taken to the height required with little or no additional up and down movement as this additional movement can add inaccuracies within the intermediate extension height output.

### **Cycle Counts and Temperature**

When the mast is nested and the UP/DOWN switch held DOWN, the Display alternately shows the cycle count of the mast and the temperature inside the Universal Control Box. The cycle count is used during Periodic Maintenance (Section 5.4).

### **Error Codes**

In the event of any unexpected switch feedback, communication errors, or amp draws on the mast, the Display will show the associated error message.

#### **1.7.2.2 UP/DOWN Switch**

The UP/DOWN Switch is:

- Used to extend and retract the mast
- Located on the side of the Universal Control Box
- Protected by a switch guard and waterproof boot
- A SPDT (Mom-Off-Mom) toggle switch

#### **1.7.2.3 OVERRIDE Switch**

The OVERRIDE Switch is:

- Used with the UP/DOWN Switch to ignore any errors returned by the Universal Control Box in order to extend and retract the mast
- Located on the side of the Universal Control Box
- Protected by a switch guard and waterproof boot
- A SPST (Off-Mom) toggle switch



### 1.7.2.4 Bulkhead Connectors

The Universal Control Box contains the following military screw-type connectors:

- J1 which is a 9-pin connector for customer power and handshake lines
- J2 which is a 24-pin connector for sensor interface
- J3 which is a 4-pin connector for Motor and Brake Cable from the mast
- J4 which is an 8-pin connector for optional components such as the PC Interface, Hand-Held Remote Control, or D-TEC. The J4 connector on the standard Universal Control Box is RS-485, however an RS-422 optional is also available.

### 1.7.2.5 Printed Circuit Board

The Universal Control Box contains a printed circuit board.

The printed circuit board has three pairs of handshakes contacts as follows:

- An enable input (For a hatch switch, vehicle stationary or other precondition contact closure located between pins A and B on J1)
  - An open circuit will cause the Universal Control Box to display its software version and will inhibit extension
  - A closed circuit is required between these pins to enable mast operation
- A fully extended output (Located between pins C and I of J1)
- A fully nested output (Located between pins G and H of J1)

The rated output of the handshake contacts is one ampere at 28 VDC. The contacts change state when the mast is fully extended or nested. These shall be used as customer interlocks or indicators (visual or audible). For more information on electrical installation of the Mast System, see Section 2.6.2.7.

### 1.7.3 PC Interface

The Mast System ships standard with SCRAM (Stiletto Control Remote Access Management) software enabled. If desired, this allows the operator to control the Mast System through a PC or proprietary control system. SCRAM provides the same functionality as the Universal Control Box, plus additional functions and information not directly accessible through the standard hardware interface.

Functions include controls to:

- Extend the mast
- Retract the mast
- Nest the mast
- Stop the mast
- Move the mast to a specific desired height
- Input the Mast Offset Height
- Monitor mast parameters and limit switch inputs in real-time

In addition to the SCRAM software, The Will-Burt Company also offers the PC Interface Application Notes which allow a customer to create their own GUI that will communicate with the Universal Control Box to operate the Mast System. This is particularly useful when integrating the Mast System into a proprietary control system. When using the Application Notes, the customer must write their own software using the commands provided in the Application Notes.

When using a PC or proprietary control system to operate the Mast System, it will be necessary to connect the PC or proprietary control system to J4 on the Universal Control Box. The standard protocol for J4 is RS-485, however modified Control Boxes using RS-422 are available. To connect from the Universal Control Box to the PC or proprietary control system, The Will-Burt Company offers various lengths of RS-485 to RS-232 Communications Cables, RS-485 to USB Communications Cables, and Y-Cables (which, when used with the Communications Cables, allow for the use of both a HHRC and PC or proprietary control system).

For more information about SCRAM, PC Interface Application Notes, or cables used to connect the Mast System and PC or proprietary control system, contact your Will-Burt sales representative.

## 1.7.4 Accessory Options (Sold Separately)

This section describes accessory options available for the Mast System as follows:

- Hand-Held Remote Control (Section 1.7.4.1)
- D-TEC® (Section 1.7.4.2)
- Additional Accessory Options (Section 1.7.4.3)

### 1.7.4.1 Hand-Held Remote Control

The optional Hand-Held Remote Control (HHRC):

- Contains an SPDT (Mom-Off-Mom) toggle switch (UP/DOWN) protected by a switch guard and waterproof boot to extend and retract the mast
- Uses three LED lights to backlight text to indicate the status of the system as follows:
  - “EXTENDED” to indicate the mast is fully extended
  - “PARTIAL” to indicate the mast is partially extended
  - “NESTED” to indicate the mast is fully nested
- Includes a cable with a MS3106 8-pin screw-type connector that attaches to the front of the Universal Control Box at bulkhead J4. Multiple cable lengths are available.
- Is enclosed in a NEMA 4X box
- Does not have an alphanumeric display to show intermediate extension readouts

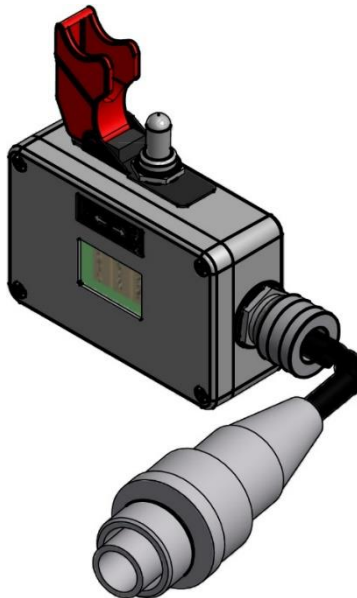


Figure 1-18 Hand-Held Remote Control

The optional HHRC comes in multiple configurations including:

- Black HHRC with 20 ft. Cable (P/N: 912202)
- White HHRC with 20 ft. Cable (P/N: 912254)
- Black HHRC with 50 ft. Cable (P/N: 4214201)
- Turkish HHRC with 20 ft. Cable (P/N: 4214203)

For additional information on the Hand-Held Remote Control, see [www.willburt.com](http://www.willburt.com).

#### 1.7.4.2 D-TEC®

The D-TEC® Safety System (Figure 1-19) is a safety device which:

- Mounts at the highest point of the mast/payload configuration
- Provides overhead power line field detection
- Provides above-the-mast illumination

The D-TEC® system automatically stops mast extension when an electric field above the sensing threshold is detected providing added protection for the operator and equipment from overhead power line hazards. This unit is intended as a safety tool, and in no way is a substitute for common sense and caution.



Figure 1-19 D-TEC (P/N: 5354901 Shown)

The D-TEC Features:

- Two detection modes that operate simultaneously:
  - Electric Field (E-Field) detection to sense the presence of nearby high voltage AC
  - Magnetic Field (H-Field) detection to sense the presence of nearby high current AC
- An LED Look-Up Light and an Ambient Light Sensor to ensure the Look-Up Light only illuminates when it is dark
- The D-TEC communicates over an RS-485 link with the Universal Control Box which acts as the communications master. This means the Universal Control Box initiates all communication. The D-TEC only allows or disallows the operator to extend the mast and does not provide direct power to the mast. Both the D-TEC and the Universal Control Box perform self-diagnostic routines each time the Mast System is powered up.

Specifications for the D-TEC are listed in Table 1-3.

*Table 1-3 D-TEC Specifications*

Functional Characteristics	Operational Parameters
Detection	Simultaneous AC Voltage (Electric Field) and Electromagnetic and Electrostatic (Magnetic Field) Detection
Minimum Voltage Detection	2.3 Kilovolts/Meter at 0° (Reduced with angle)
Look-Up Light	LED
Input Voltage	11 to 33 VDC
Power Requirements	12 VDC 10 Amps or 24 VDC 5 Amps
Operating Temperature Range	-40°C to 71°C (-40°F to 160°F)
Duty Cycle	100%

For more information on the D-TEC, see [www.willburt.com](http://www.willburt.com).

### 1.7.4.3 Additional Accessory Options

Table 1-4 describes a number of additional accessory options available for the Mast System.

Table 1-4 Additional Accessory Options

Accessory	Description
Lift Brackets (P/N: 4674902)	Used to aid in lifting and transporting the mast vertically during installation. Includes (4) SCR CAP M8-1.25x16.0 SC HD SSTL.
Input Power Cable Pigtails	<p>Connects customer power to the Mast System.</p> <p>Mast Systems ship standard with a Power Cable Connector that the customer wires according to the specific mounting application needs and then attaches to J1 on the Universal Control Box or the EMI filter input.</p> <p>The optional Input Power Cable Pigtails have a Power Cable Connector with pre-wired flying leads of predetermined lengths to simplify the process.</p>
P/N: 4674701	Unshielded 5 Meter
P/N: 4674702	Unshielded 8 Meter
P/N: 4784001	Shielded 5 Meter
PositionIt™	Remotely pans and tilts a payload.
P/N: 5061001	PI-150 with a payload capacity of 150 lb.-ft. (202 N-m).
P/N: 5191201	PI-75 with a payload capacity of 75 lb.-ft. (101 N-m).
P/N: 5467801	PI-35 with a payload capacity of 35 lb.-ft. (47.4 N-m).
Roof Seal Kit (P/N: 4794602)	Used with internal mounting applications (i.e. mounting inside an enclosure of vehicle).
Nycoil® Cable Conduit	Manages payload cables. The Nycoil Cable Conduit length should be two times the difference between the mast extended and nested heights. To go around the mast, a minimum of 1 ¼ inch (31.8 mm) cable ID with a 21.5 inch (546 mm) coil OD is required. Smaller sizes are available if the Nycoil Cable Conduit is offset.

*Continued*

Table 1-5 Additional Accessory Options Continued

Accessory		Description
Power Supply Kits		
	110 VAC Power Supply Kit (P/N: 4655201)	Converts 110 VAC input to 24 VDC output.
	220 VAC Power Supply Kit (P/N: 4655202)	Converts 220 VAC input to 24 VDC output.
Stiletto Capacitor Bank Kits		Used when the customer power supply is not strong enough to start the Mast System.
	P/N: 4534504	Has a 12-inch (30.5 cm) cable
	P/N: 4534501	Has a 36-inch (91.4 cm) cable
	P/N: 4534502	Has an 84-inch (213.4 cm) cable
	P/N: 4534503	Has a 120-inch (304.8 cm) cable
	P/N: 4534509	Has a 360-inch (914.4 cm) cable
110 VAC Stiletto Power Supply Enclosure (P/N: 4663401)		A capacitor bank and power supply in a single integrated unit.
Shelf Bracket (P/N: 46748xx)		Used to position and support a mast. A variety of colors, and Polane and CARC finishes are available.

For more information on these and other additional accessory options, or customized solutions to customer-specific scenarios, see [www.willburt.com](http://www.willburt.com).

(This page is intentionally left blank.)



## Section 2 Installation

This section describes the installation of the Mast System and provides general procedures that must be followed to ensure a successful installation. Use care to understand and follow all precautions while installing.

### 2.1 Pre-Installation Check

Before installing the system, ensure:

- All installers read and understand the entire installation procedure
- Only a properly trained and qualified certified electrician performs electric installations and maintenance
- All components are included (Section 1.7)
- All required equipment is readily available (Section 2.2)
- The mounting structure is level with sufficient room to mount the system (Section 0)
- When installing in a vehicle, that the vehicle is stationary and on a level surface
- That the following precautions are understood and followed:

**⚠ DANGER**

**Equipment Damage!** At survival wind speed, an extended mast can generate 22,500 lb.-ft. (270,000 lb.-in. or 366,120 N-m) at the Base. The mounting structure must be designed accordingly. Before installation, ensure the mounting structure is capable of resisting forces generated from all loading and environmental conditions, including, but not limited to, Mast System size and weight, payload size and weight, sail size, wind speed, Guy Line arrangement, support bracket or roof line location and base plate assembly. Mounting the Mast System into a structure unable to resist the forces generated from the customer-specific loading scenario could result in death or serious injury and could damage the Mast System.

**⚠ WARNING**

**Trained Personnel Only!** Only trained and qualified personnel should perform installation procedures. Only a properly trained and qualified certified electrician should perform electric installations. Death or serious injury could result if proper installation procedures are not observed. All persons installing and maintaining this equipment should be suitably qualified and work to local, regional, and national standards and codes of practice.

**⚠ WARNING**

**Mounting Structure Hazard!** The mounting hardware must include proper means to resist vibration loosening such as thread-locking compound or locking hardware. Mounting the Mast System to a structure unable to resist the forces generated from customer-specific loading scenario could result in death or serious injury and could damage the Mast System.

**⚠ WARNING**

**Mounting Structure Hazard!** Before installation, ensure the mounting structure is capable of resisting forces generated from all loading and environmental conditions, including, but not limited to, Mast System size and weight, payload size and weight, vehicle dynamic loads, sail size, wind speed, support bracket or roof line location and base plate assembly. The lower structure at the base plate shall be sized to support all vertical loads from the mast and payload. The support bracket is not intended to carry vertical loads. The support bracket mounting structure and the base plate mounting structure shall be tied to the same vehicle structure/frame (i.e. do not mount the support bracket to vehicle body and the base plate to the vehicle chassis frame. This would put the vehicle suspension system between the mounting points). Mounting the Mast System into a structure unable to resist the forces generated from the customer-specific loading scenario could result in death or serious injury and could damage the Mast System

**⚠ WARNING**

**Equipment Damage – Lock Mechanism!** Do not modify the mast lock mechanism or lock housing or attach any components to the lock housing. Do not remove the locks with the mast extended. Equipment damage and dangerous mast collapse could occur if the lock mechanism is modified.

**⚠ CAUTION**

**Disconnect Power!** Power must be disconnected before connecting or disconnecting any Mast System connector. For example, power must be disconnected when connecting or disconnecting J1, J2, J3, and J4 on the Control Box. Do not disconnect the power cable from J1 on the Control Box, mast or from the power source while the mast is in motion (extending or retracting). This could result in damage to the Control Box.

**⚠ CAUTION**

**Equipment Damage – Cable Routing!** Cabling or Nycoil should be routed such that it cannot become trapped or pinched between the mast collars during retraction. This can interfere with the lock mechanism functionality.

**⚠ CAUTION**

**Safety Instruction – Roof Access!** If mast will be mounted to a vehicle, the operator must provide safe means to access the roof of the vehicle during installation and maintenance.

**⚠ CAUTION**

**Safety Instruction – Mast Access!** The operator must provide safe means to access the top of the mast during installation and removal of the payload.

**⚠ CAUTION**

**Equipment Damage – Cutting!** Wear gloves when installing the electrical ground strap, and handling icebreakers to avoid possible injury.

## 2.2 Installation Equipment

Table 2-1 lists equipment recommended for installation.

Table 2-1 Equipment Recommended for Installation

Recommended Equipment*		
Personal Protective		
Safety Glasses	Work Gloves	Nitrile or Vinyl Gloves
Hearing Protection	Hard Hat or Helmet	Safety Shoes
Hand Tools		
Appropriate Hardware (Section 2.3)	Drill	Level
Measuring Tape	Rubber Mallet	Torque Wrench
Wrenches	Washers or Spacers (For Shimming)	
Equipment		
Hoist	Sling	
Expendables		
Anti-Seize	Loctite® Blue 242/243 or Equivalent	
Rags (Clean and Dry)		
<p>* Note:</p> <ul style="list-style-type: none"> <li>Depending on the local, regional, and national standards and codes of practice, and the environment, additional personal protective equipment may be necessary.</li> <li>Depending on the Mast System configuration, additional equipment, including but not limited to electrical components (e.g. wire, switches, fuses, circuit breakers, etc.), may be required.</li> <li>When disposing of any disposables or components, do so according to any applicable local, regional, and national standards and codes of practice.</li> </ul>		

## 2.3 Installation Hardware

Table 2-2 describes hardware that may be used during installation. Depending on the specific installation application, all hardware may not be used.

Table 2-2 Installation Hardware

Hardware*	Supplied By	Notes
<b>Support Bracket Assembly (Together)</b>		
(6) 10.5x20.0x2.2 18-8 SSSL Flat Washer (P/N: 4093)	Will-Burt	Ships with Mast System
M10-1.5x30.0 SSSL Bolts (P/N: 6082)	Will-Burt	Ships with Mast System
M10x18.10x2.05 18-8 SSSL Lock Washers (P/N: 4351)	Will-Burt	Ships with Mast System
M10-1.50 18-8 SSSL Nuts (P/N: 5907)	Will-Burt	Ships with Mast System
<b>Support Bracket Assembly (To the Support Structure)</b>		
(6) M10 (3/8 Inch) Sets of Stainless Steel Hardware	Customer	The bolts should be sized to length to allow for the thickness of the Support Bracket Assembly, support structure, any shims, and all mounting hardware (e.g. flat washers, lock washers, and nuts).
<b>Base of Mast System (To the Mounting Surface)</b>		
(4) M12 (1/2 Inch) (Minimum) Sets of Stainless Steel Hardware	Customer	The bolts should be sized to length to allow for the thickness of the base of the mast, mounting surface, any shims, and all mounting hardware (e.g. flat washers, lock washers, and nuts). Use heavy-duty, extra-thick (MS 15795-819) stainless steel flat washers.
<b>Universal Control Box (To the Support Structure)</b>		
(6) M6 (1/4 Inch) Sets of Stainless Steel Hardware	Customer	The bolts should be sized to length to allow for the thickness of the Universal Control Box, mounting surface, any shims, and all mounting hardware (e.g. flat washers, lock washers, and nuts).
<b>Optional EMI Filter (To the Support Structure)</b>		
(4) M4 (#8) Sets of Stainless Steel Hardware	Customer	
<b>Ground Straps</b>		
10-32 UNF-2B Hardware	Will-Burt	Ships with Mast System

*Continued*

Table 2-2 Installation Hardware Continued

Hardware*	Supplied By	Notes
Payload (To the Mast System)		
(6) M8 Sets of Hardware	Customer	The standard Payload Attachment Interface comes with (6) M8x1.25 – 6H ↓12 mm holes. When using stainless steel hardware, use an anti-seize to prevent galling.
* Unless otherwise indicated, the mounting hardware must include proper means to resist vibration loosening such as thread-locking compound and locking hardware. Torque all hardware as appropriate for its size and grade. Torque values in these instructions assume the use of Will-Burt provided hardware. Depending on the specific installation application, all hardware may not be used. Additional hardware may be required for additional accessories, or customer-specific applications.		

## 2.4 Installation Dimensions

This section describes installation dimensions as follows:

- Mast Installation Dimensions (Section 2.4.1)
- Support Bracket Assembly Dimensions (Section 2.4.2)
- Universal Control Box Dimensions (Section 2.4.3)
- EMI Filter Dimensions (Section 2.4.4)

Dimensions provided are for reference only and are not intended for vehicle design purposes. Depending on the Mast System and components being used, the exact design of components may vary. Masts with other heights, capacities, and finishes are available. For more information on additional mast sizes, capabilities, and finishes, see [www.willburt.com](http://www.willburt.com).

## 2.4.1 Mast Installation Dimensions

Table 2-3 Mast Installation Dimensions

Model	A		B		C		D		E	
	mm	inch	mm	inch	mm	inch	mm	inch	mm	inch
4-Meter	517.5	20.37	213.5	8.41	152.4	6.0	304.8	12.0	771.3	30.36
6-Meter	517.5	20.37	213.5	8.41	152.4	6.0	304.8	12.0	948.3	37.33
8.54-Meter	517.5	20.37	213.5	8.41	152.4	6.0	304.8	12.0	1167.5	45.96
10-Meter	517.5	20.37	213.5	8.41	152.4	6.0	304.8	12.0	1382.8	54.44
15-Meter	517.5	20.37	213.5	8.41	152.4	6.0	304.8	12.0	1780.8	70.11
	F		G		H		J*		K	
	mm	inch	mm	inch	mm	inch	mm	inch	mm	inch
4-Meter	546.7	21.52	455.1	17.92	529.0	20.83	800.0	31.5	1040.0	40.94
6-Meter	546.7	21.52	455.1	17.92	662.0	26.06	980.0	38.6	1285.0	50.59
8.54-Meter	546.7	21.52	455.1	17.92	828	32.6	1250	49.2	1530.0	60.24
10-Meter	546.7	21.52	455.1	17.92	889	35	1400	1800	1750.0	68.9
15-Meter	546.7	21.52	455.1	17.92	1173	46.2	55.12	70.87	2209.6	86.99
	L (Nested)**		L (Extended)***		M		N			
	mm	inch	mm	inch	mm	inch	mm	inch	mm	inch
4-Meter	1280.0	50.39	4000	157.5	446.0	17.56	284.0		11.18	
6-Meter	1580.0	62.2	6000	236.2	446.0	17.56	284.0		11.18	
8.54-Meter	1880.0	74.02	8540	336.2	446.0	17.56	284.0		11.18	
10-Meter	2100.0	82.68	10000	393.7	446.0	17.56	284.0		11.18	
15-Meter	2625	103.4	15000	590.6	446.0	17.56	284.0		11.18	
	P		Q		R		S			
	mm	inch	mm	inch	mm	Inch	mm	inch	mm	inch
4-Meter	409.2	16.11	123.7	4.87	123.7	4.87	247.4	9.74		
6-Meter	409.2	16.11	123.7	4.87	123.7	4.87	247.4	9.74		
8.54-Meter	409.2	16.11	123.7	4.87	123.7	4.87	247.4	9.74		
10-Meter	409.2	16.11	123.7	4.87	123.7	4.87	247.4	9.74		
15-Meter	409.2	16.11	123.7	4.87	123.7	4.87	247.4	9.74		

\* Minimum  
 \*\* +2.0 / -5.0 mm (+0.08 / -0.2 inches)  
 \*\*\* +50 / -50 mm (+2.0 / -2.0 inches)

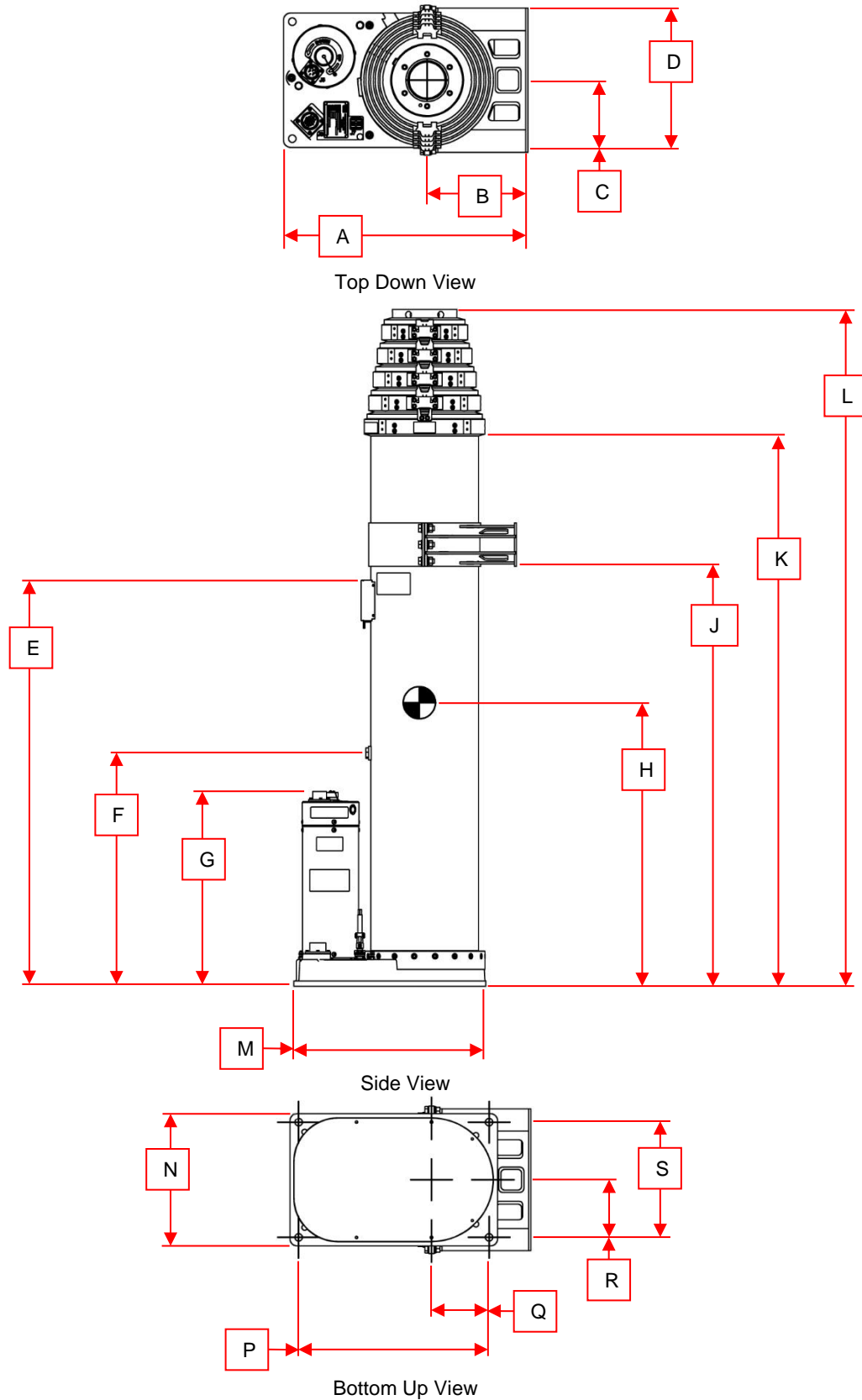


Figure 2-1 Mast Installation Dimensions (Not to Scale)

## 2.4.2 Support Bracket Assembly Dimensions

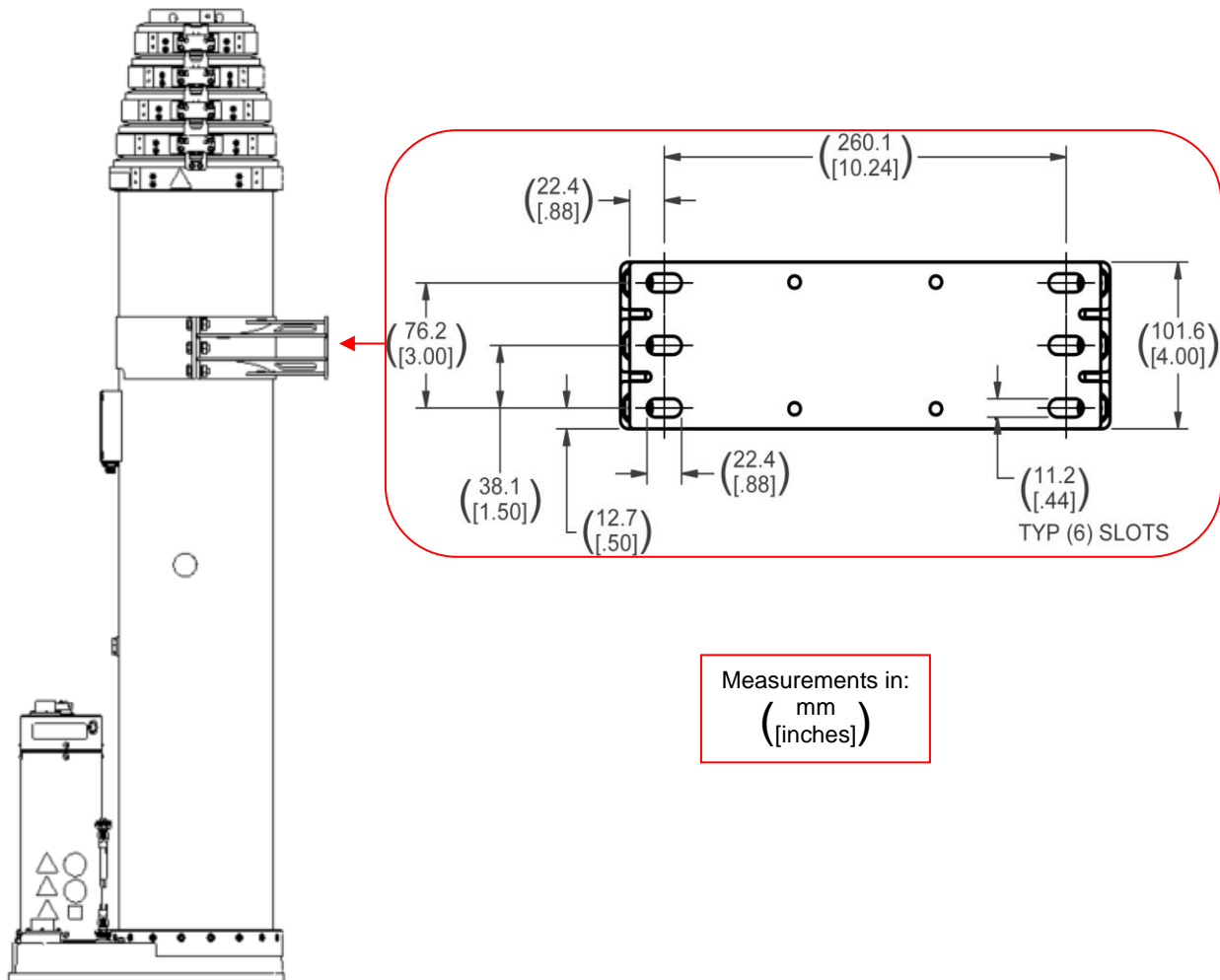


Figure 2-2 Support Bracket Assembly Bolt Hole Pattern



### 2.4.3 Universal Control Box Dimensions

Table 2-4 Support Bracket Assembly Bolt Hole Pattern Dimensions

A		B		C		D		E	
mm	inch	mm	inch	mm	inch	mm	inch	mm	inch
13	0.5	102	4.0	146	5.75	191	7.5	203	8.0
Ø F		G		H		J		K	
mm	inch	mm	inch	mm	inch	mm	inch	mm	inch
7	0.28	13	0.5	102	4.0	165	6.5	191	7.5
L		M		N		P		Q	
mm	inch	mm	inch	mm	inch	mm	inch	mm	inch
13	0.5	191	7.5	203	8.0	190	7.49	203	8.0
R		S		T					
mm	inch	mm	inch	mm	inch				
311	12.23	109	4.3	211	8.29				

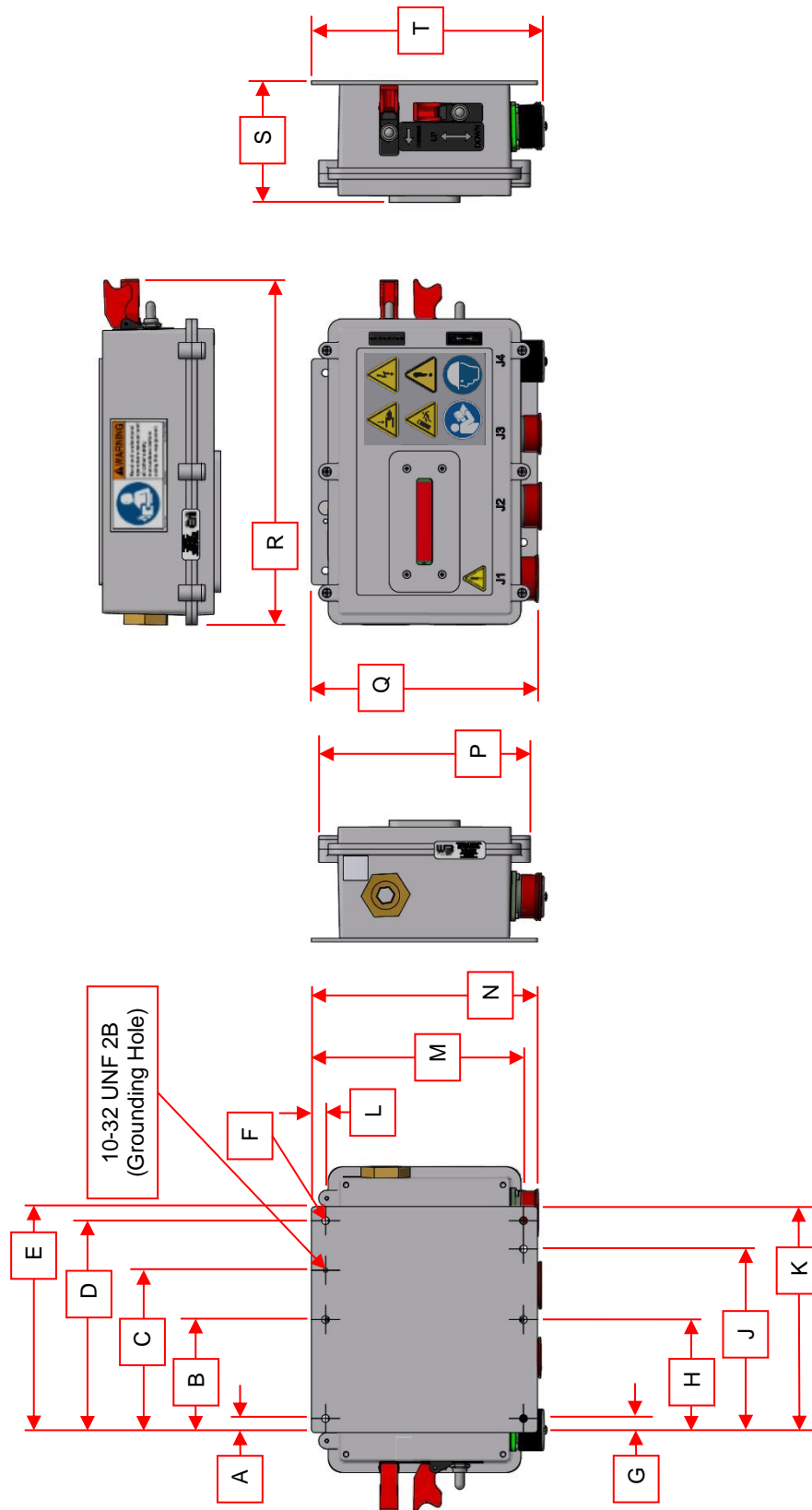
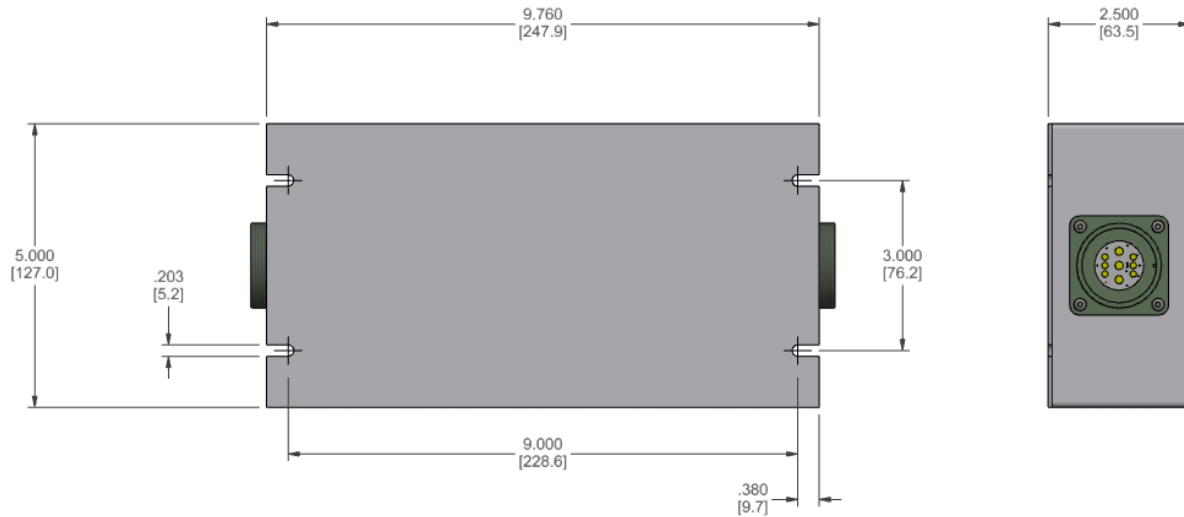


Figure 2-3 Universal Control Box Installation Dimensions (Measurements in Inches)

### 2.4.4 EMI Filter Dimensions (optional equipment)

Inch [mm]



### 2.5 Power Supply Requirements

This mast requires a 28VDC power supply that meets the characteristics set forth by MIL-STD-1275. If the application or installation does not allow for such a power supply, storage batteries or a power supply supplemented with a capacitor bank are also viable options.

The Mast System has a steady state current draw up to 40 amps between 20 and 33 VDC including with heavy side loads, or when worn or dirty. Further, the Motor could theoretically briefly (milliseconds) see as much as 160 amps of inrush current. Any impedance in the power supply or leads will reduce this figure and could prevent the mast from operating.

Table 2-5 lists the specifications for the auto-resetting circuit breaker in the system.

*Table 2-5 Circuit Breaker Specifications*

Functional Characteristic	Specification*
Breaker Current Rating	50
Approximate Open Time 1.8 Seconds at 600% Rated Current	300
Approximate Open Time 2.3 Seconds at 500% Rated Current	250
Approximate Open Time 4.3 Seconds at 400% Rated Current	200
Approximate Open Time 8.8 Seconds at 300% Rated Current	150
Approximate Open Time 18.2 Seconds at 200% Rated Current	100
Must Carry 100% Rated Current for Minimum 1 Hour	50

\* Cole Hersee P/N: 30172-50 Circuit Breaker Used

Contact The Will-Burt Company with any questions.

## 2.6 Mast System Installation

This section describes installation of the Mast System, assuming an external mounting application. For internal mounting applications (i.e. mounting inside an enclosure or vehicle), The Will-Burt Company recommends:

- Using a Roof Seal Kit (P/N: 4794602)
- Using a ½-14 NPT brass nipple and a hose to route water from the Mast System outside the enclosure

For additional information, please see the *Stiletto Series Roof Seal Kit Installation Instructions* (TP-5532101). If necessary, contact The Will-Burt Company to obtain these instructions.

### 2.6.1 Installation Quick Summary

The following is a quick summary of installation of the Mast System. Detailed steps follow the quick summary (Section 2.6.2).

In general, install the Mast System as follows:

1. Select a Suitable Mounting Location (Section 2.6.2.1)
2. Unpack the Mast System (Section 2.6.2.2)
3. Secure the Support Bracket Assembly (Section 2.6.2.3)
4. Secure the Base of the Mast (Section 2.6.2.4)
5. Finalize Physical Installation of the Mast (Section 2.6.2.5)
6. Install the Universal Control Box (Section 2.6.2.6)
7. Electrically Install the Mast System (Section 2.6.2.7)
8. Connect Power to the Mast System (Section 2.6.2.8)

### 2.6.2 Installation Detailed Instructions

The following are detailed steps describing the installation of the Mast System. The exact installation procedures may vary based on the configuration of the Mast System being used and the installation environment.

These instructions assume that the mounting hole locations are not pre-drilled and that the Mast System components will be used as templates to drill these holes during installation.

Alternatively, the mounting hole locations could be found and pre-drilled using the installation dimensions (Section 0). When pre-drilling the mounting holes, use care to ensure the mounting holes properly align.

### 2.6.2.1 Select a Suitable Mounting Location

To select a suitable mounting location, consider the following:

- The mounting structure must have sufficient room to mount the system. Ensure the installation site does not interfere with the cables or crowd them into the mast where during retraction they can be pinched between collars or speared by trigger posts.
- The mounting structure must be level in all directions, solid, and capable of holding the forces required by the bolts. Check the strength and rigidity of the mounting structure where the system is to be attached. Reinforce as necessary. The support bracket and base support structure shall be mounted to a common frame (i.e. not separated by vehicle suspension elements)
- The area underneath the mast must be free of obstructions to allow for accessibility to the fasteners.
- Do not obstruct the Drain Hole (Figure 2-4) for rainwater and condensation at the base of the mast. Keep any personnel or sensitive equipment away from the Drain Hole direction.

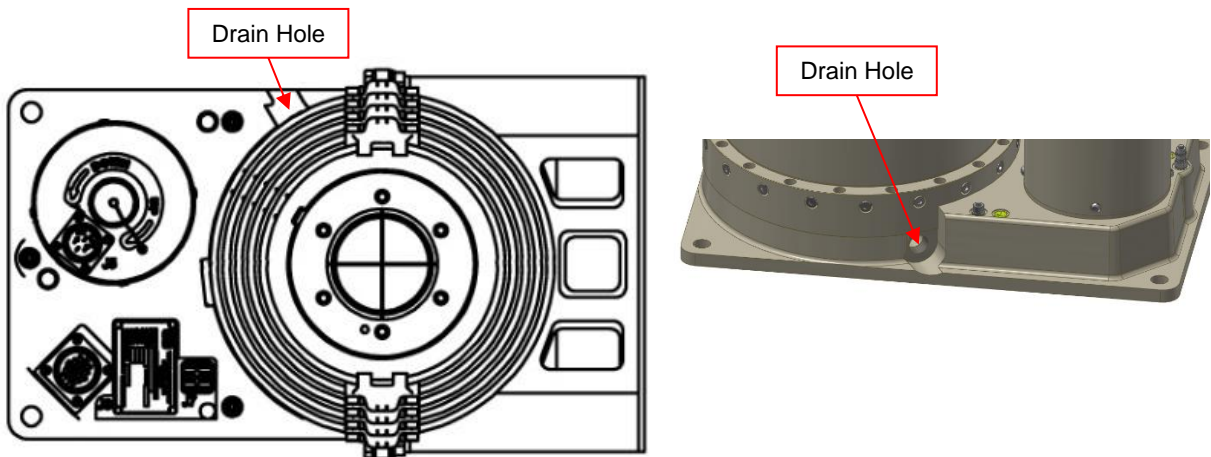


Figure 2-4 Drain Hole Location

- Cables will eventually need routed between components of the system as follows:
  - Customer power to the Universal Control Box
  - The three meter Motor and Brake Cable and the three meter Mast Sensor Cable will need routed between the Universal Control Box and mast
  - Additional cables may need routed for optional components

### 2.6.2.2 Unpack the Mast System

During installation, it will be necessary to lift the mast. The process described in this manual represents a possible method of lifting the mast. Depending on the environment and equipment available, other methods may work better. Use the best and safest method for your circumstances.

**⚠ WARNING**

**Safety Instruction – Observe Proper Procedures!** Use extreme caution while lifting the Mast System and when Mast System is suspended to avoid injury and equipment damage. Be certain the Mast System is properly secured. All operators should be aware of and follow the applicable local, regional, and national standards and codes of practice for slinging and transporting equipment. Never lift the Mast System over people. Ensure lifting equipment including, but not limited to, lifting straps and hoist, are capable of handling the forces generated from lifting the system. Observe manufacturer instructions on lifting equipment. Death or serious injury could result if proper procedures are not followed.

Unpack the system as follows:

1. Carefully open the shipping crate.
2. Inspect for any shipping damage. Notify the carrier if damage is evident.
3. Remove all loose components.
4. Remove the top half of the wooden saddles that secure the mast in place (Figure 2-5).

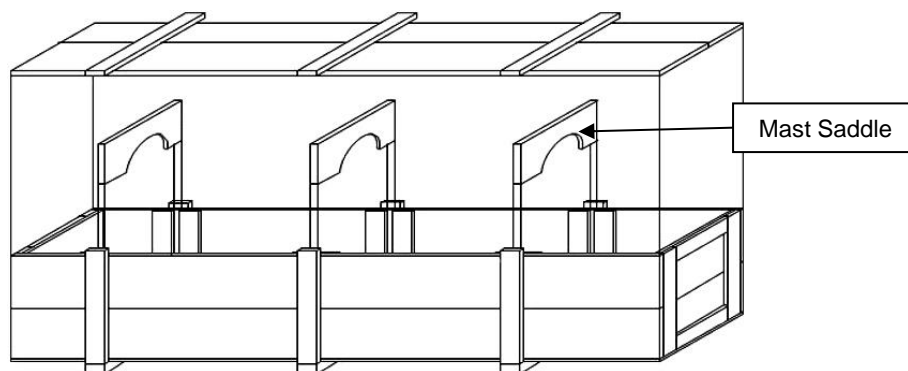


Figure 2-5 Shipping Crate

5. Outfit the mast with a sling and hoist capable of supporting the mast weight. The sling must support the mast from at least two points. Attach the sling at the center of gravity label so that horizontal balance and control can be maintained while positioning the mast. Use care not to damage or crush the Fully Extended Limit Switch or Fully Extended Limit Switch Cable while transporting the mast. The base tube collar can be used to support the mast weight during installation.

Note: Will-Burt also offers the optional Lift Bracket (P/N: 4674901) to aid in lifting and transporting the mast vertically during installation.

6. Slowly lift the mast until just free of the mast saddles.  
If necessary, lower the mast and adjust the sling as necessary to balance the mast.
7. Ensuring the sling does not catch on anything, lift the mast without any sharp or jerking motions until it is free of the shipping crate.
8. Slowly move the mast to the desired mounting location. The hoist operator should be able to view the mast at all times to ensure the mast does not collide with any obstructions.
9. Slowly lower the mast until the mast is on the mounting surface and the weight of the mast has settled. Stop lowering the mast once the mast weight has settled.
10. Ensure the mast is temporarily secured to prevent it from tipping over during the installation process.

The Will-Burt Company recommends keeping the shipping crate for transporting the mast, for example if shipping the mast back to the factory for refurbishment.

### 2.6.2.3 Secure the Support Bracket Assembly

To secure the Support Bracket Assembly:

1. Carefully move the mast into position in the mounting location. Be certain to orient the mast so the operator has a clear view of the hazard labels.
2. Ensure the mast is level in all directions. If necessary, shims may be added to correct the alignment of the mast. It is necessary to check the mast in two places 90° apart when leveling.
3. Determine the desired location for the Support Bracket Assembly. Refer to Section 2.4.1 for the minimum height of the Support Bracket Assembly on the mast.
4. Secure the Support Bracket Assembly around the Base Tube with the hardware included. Shim as necessary to avoid overtightening the Support Bracket Assembly on the Base Tube. This will damage the mast. The mounting hardware must include proper means to resist vibration loosening such as thread-locking compound or locking hardware. Torque to 245-290 in.-lb. (28-33 N-m).
5. Use the Support Bracket as a template to drill holes in the desired support structure. Ensure the Mast System is level in all directions during drilling.
6. Loosely secure the Support Bracket to the support structure with six  $\frac{3}{8}$  inch (M10) sets of customer-provided stainless steel hardware. Do not torque the hardware at this point. This will be done later in these procedures. The mounting hardware must include a proper means to resist vibration loosening such as thread-locking compound and/or locking hardware.

### 2.6.2.4 Secure the Base of the Mast

To secure the base of the mast:

1. Use the base of the mast as a template to drill holes through the mounting surface.
2. Loosely secure the Mast System to the mounting surface with four ½ inch (M12) sets of customer-provided stainless steel hardware. Use heavy-duty, extra-thick (MS 15795-819) stainless steel flat washers. Do not torque the hardware at this point. This will be done later in these procedures. The mounting hardware must include a proper means to resist vibration loosening such as thread-locking compound and/or locking hardware.

### 2.6.2.5 Finalize Physical Installation of the Mast

**⚠ CAUTION**

**Equipment Damage – Cutting!** Wear gloves when installing the electrical ground strap to avoid possible injury.

With the mast loosely secured at the Support Bracket Assembly and at the base of the mast:

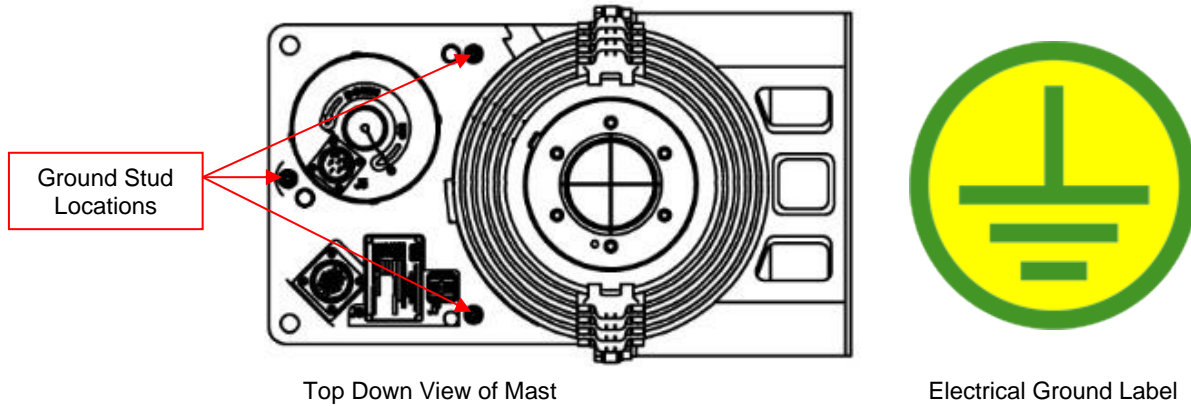
1. Ensure the mast is level in all directions. If necessary, shims may be added to correct the alignment of the mast. It is necessary to check the mast in two places 90° apart when leveling.
2. Torque all hardware as appropriate for its size and grade to secure the mast in place against the support structure and mounting surface. Ensure the mast remains level as it is torqued. Recommended torque values for stainless steel fasteners are as follows:

M10:	245-290 in.-lb. (28-33 N-m)
3/8-16:	190-240 in.-lb. (21-27 N-m)
½-13 & ½-20:	450-530 in.-lb. (51-60 N-m)
M12:	355-425 in.-lb. (40-48 N-m)

Use manufacturer's specified torque values for other fastener materials/grades.

3. Attach one end of the Ground Strap to the mast at any of the Ground Stud locations. The M5 Ground Stud provided can be moved to any of the Ground Stud locations as needed. The Ground Stud locations are designated with the electrical ground label (Figure 2-6). Torque to 24-31 in.-lb. (2.7-3.5 N-m).





*Figure 2-6 Ground Stud Locations*

4. Attach the other end of the Ground Strap to a known earth ground such as the chassis of the vehicle. Torque to 24-31 in.-lb. (2.7-3.5 N-m).

### 2.6.2.6 Secure the Universal Control Box

The Universal Control Box may be installed outside or inside an enclosure such as the cab of a vehicle.

To install the Universal Control Box:

1. Use the Universal Control Box as a template, drill six M6 (¼ inch) holes into the mounting structure.

Note: The Universal Control Box has seven mounting holes. It is only necessary to use six of the mounting holes to secure the Universal Control Box.

2. Attach the Universal Control Box using six M6 (¼ inch) stainless steel fasteners. Torque all hardware as appropriate for its material and size. The mounting hardware must include proper means to resist vibration loosening such as thread-locking compound or locking hardware. The recommended torque for stainless steel M6 fasteners is 60-72 in.-lb. (7-8 N-m).
3. Use 10-32 UNF-2B hardware and a Ground Strap to ground the Universal Control Box from the designated ground location (Figure 2-7) to the chassis of the vehicle or a known earth ground. The ground location on the Universal Control Box is designated with the electrical ground label. Torque the ground strap hardware to 24-31 in.-lb. (2.7-3.5 N-m).

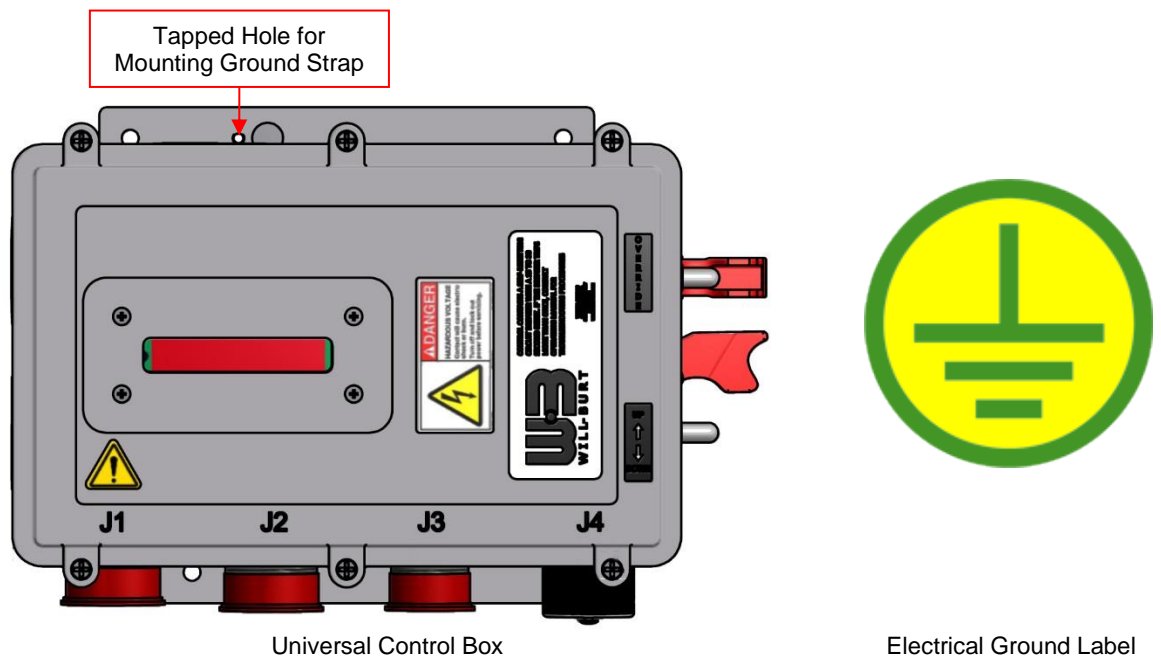


Figure 2-7 Universal Control Box Ground Location

### 2.6.2.7 Electrically Install the Mast System

Power must be disconnected before connecting or disconnecting any system connector. For example, power must be disconnected when connecting or disconnecting J1, J2, J3, and J4 on the Universal Control Box.

To electrically install the Mast System:

1. Refer to Figure 2-8 for an overview of the system wiring, and to Figure 2-9 for the Universal Control Box schematic (optional EMI filter shown).

Note: When using an optional EMI filter, customer power will connect through the Power Cable Connector (P/N: 213075) at point “A” below. The EMI filter cable will install between point “B” below and J1 on the Universal Control Box.

When NOT using the optional EMI filter, customer power will connect through the Power Cable Connector (P/N: 213075) directly at J1 on the Universal Control Box.

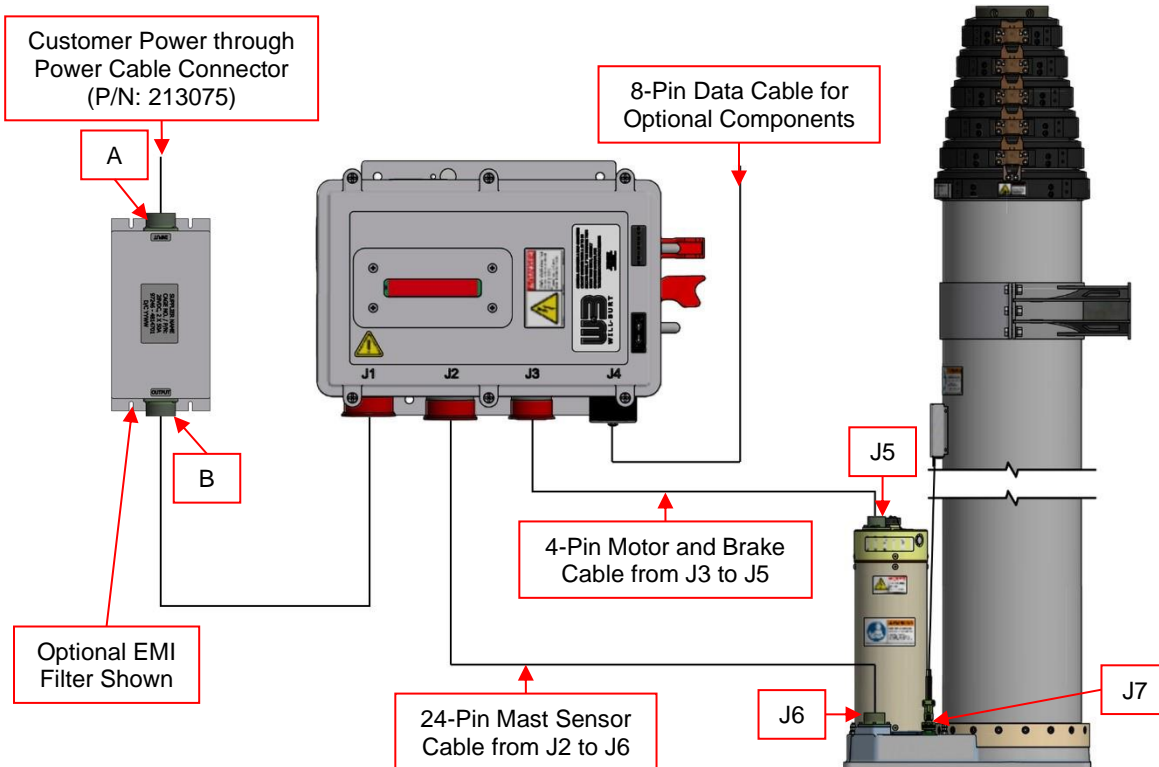


Figure 2-8 Stiletto AL Wiring (Not to Scale)

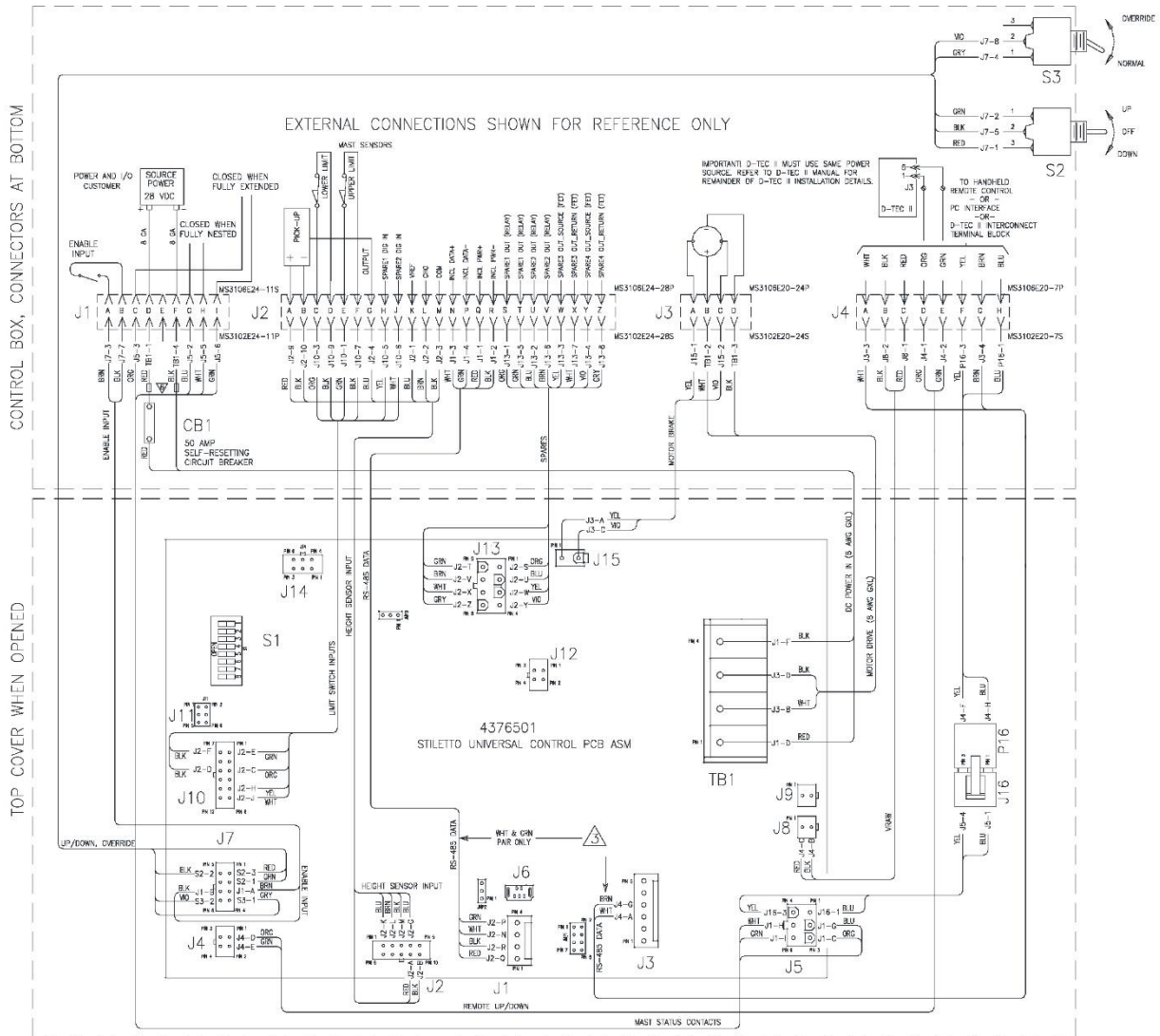


Figure 2-9 Universal Control Box Schematic (Revision M)

2. Plug the 24-pin Mast Sensor Cable into bulkhead connector J2 on the Universal Control Box and bulkhead connector J6 at the base of the mast. Screw both connectors in place so that the cable is secure.
3. Plug the 4-pin Motor and Brake Cable into bulkhead connector J3 on the Universal Control Box and bulkhead connector J5 on top of the Motor. Screw both connectors in place so that the cable is secure.
4. Depending on the Mast System configuration, a data cable may be used. For example, a data cable is used with optional components including the Hand-Held Remote, PC Interface, or D-TEC.

If used, plug in the 8-pin data cable to bulkhead connector J4. Screw the connector in place so that the cable is secure.

If not used, ensure the dust cap to J4 is installed and secure.

5. The Fully Extended Limit Switch Cable will ship installed. Ensure the 3-pin Fully Extended Limit Switch Cable is securely in place between the Fully Extended Limit Switch and bulkhead connector J7 at the base of the mast.

### 2.6.2.8 Connect Power to the Mast System

Power and the handshake lines enter the Universal Control Box through bulkhead connector J1. The Will-Burt Company supplies a 9-pin Power Cable Connector (Section 1.7.1.10) to connect to J1. If the EMI filter is required, the connector plugs into the input side of the filter and the cable supplied with the filter connects from the filter output side to the Control Box J1. The customer is responsible for integrating 10-gauge (6 mm<sup>2</sup>) power lines (with optional ground) and any handshake lines into the Power Cable Connector. With cable runs longer than three meters (ten feet), a lower gauge wire will be needed.

The enable input circuit (hatch switch) on J1 Pins A and B require a closed circuit to enable mast operation. If no switch is installed to provide a closed circuit, a jumper is required to connect J1 Pins A and B.

The Will-Burt Company also offers optional Input Power Cable Pigtails (Section 1.7.4.3) which have a Power Cable Connector with pre-wired flying leads of predetermined lengths to simplify the wiring process.

The mast does not have a master power switch. If a master power switch is desired, the customer must provide it with the source power.

An Emergency Stop Switch Kit (P/N: 4792701) (Figure 2-10) is supplied with each mast. This kit includes a panel mounted push-pull E-Stop switch, and a legend plate. The emergency stop shall be installed in a position reachable by the operator when operating the mast with the mast controls. This Emergency Stop Switch kit must be used for CE compliance.

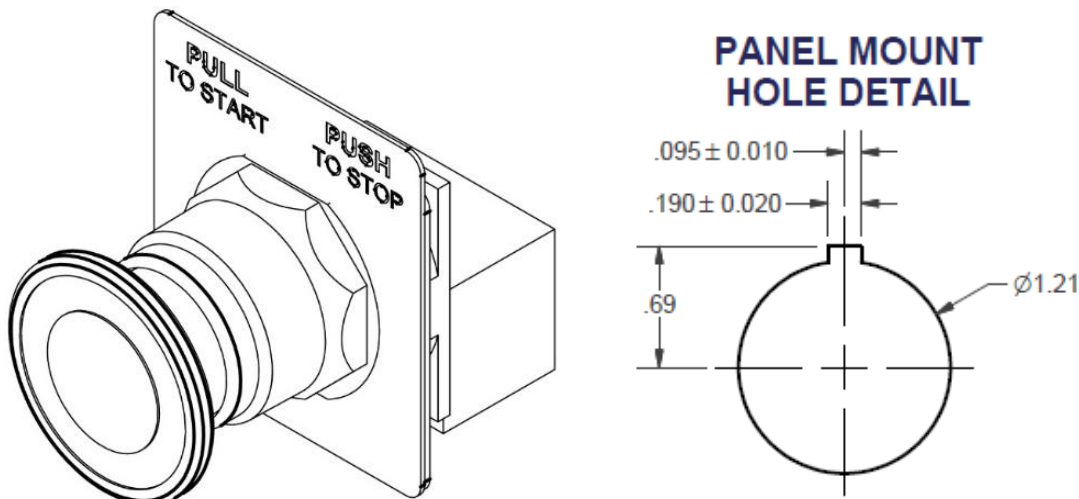


Figure 2-10 Emergency Stop Switch Kit

To connect customer power to the Mast System:

1. Wire the Power Cable Connector and Emergency Stop Switch according to Figure 2-11.

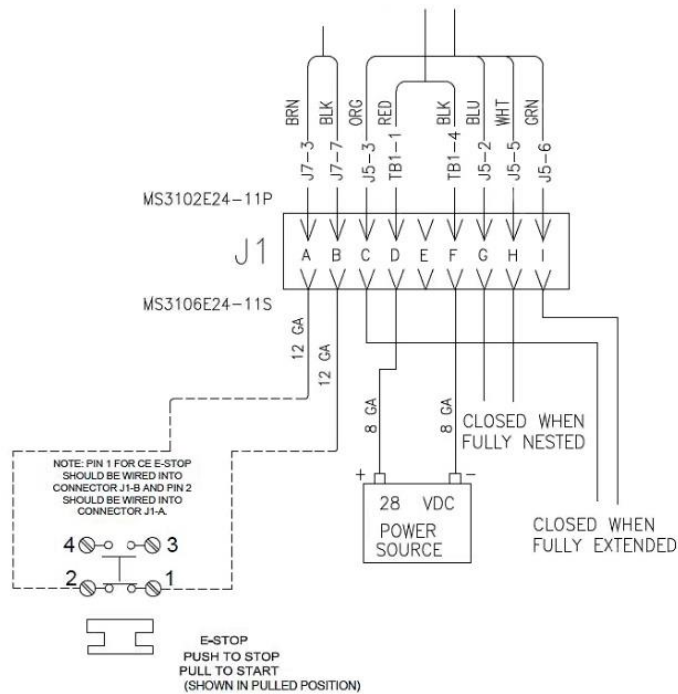


Figure 2-11 Power Cable Connector Wiring

2. Plug customer power into J1 on the Universal Control Box. Screw the connector in place so that the cable is secure.

## 2.7 Additional Accessory Installation

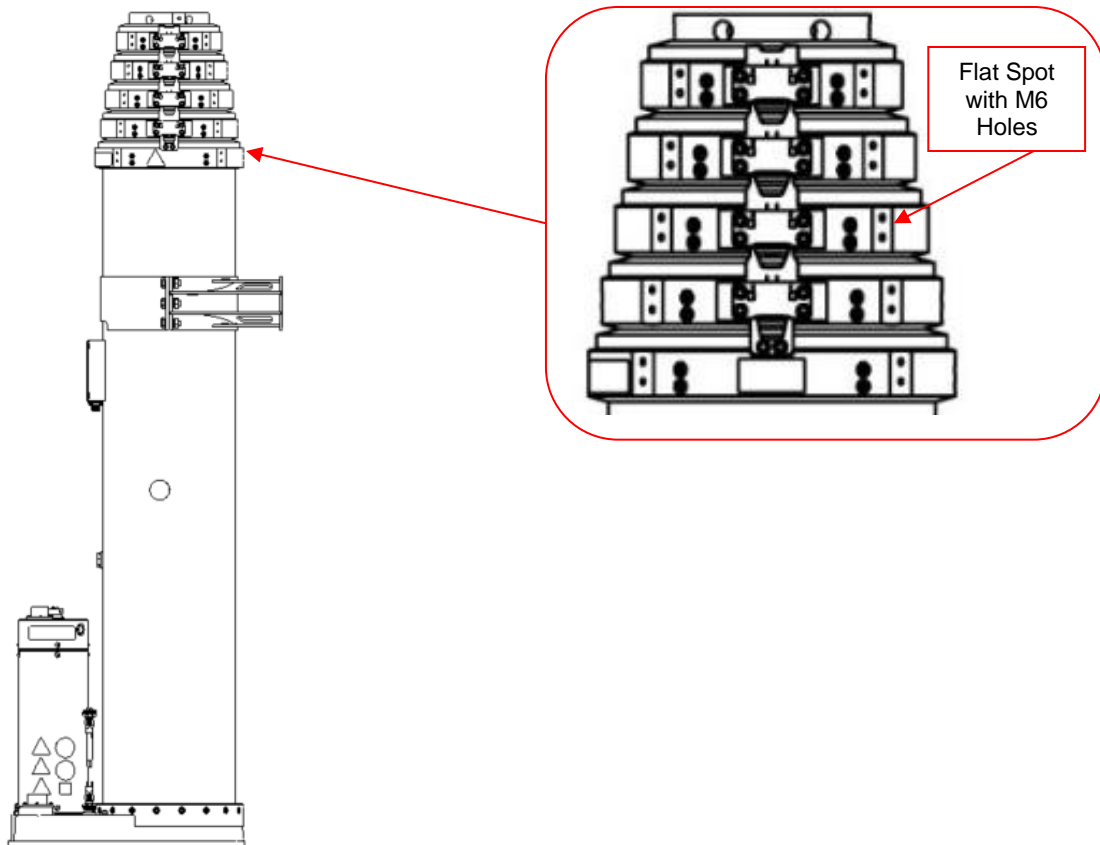
Depending on the configuration of the Mast System, optional components selected, or the installation environment, additional accessories such as PC Interface, Capacitor Bank, or positioners may need to be installed. Install any additional accessories as appropriate.

General installation procedures to keep in mind when installing optional accessories include:

- Use connector J4 on the Universal Control Box to connect the following optional components:
  - D-TEC
  - Hand-Held Remote Control (HHRC)
  - PC Interface

Note: Will-Burt offers an adaptor Y-Cable to allow for the use of both the PC Interface and an HHRC.

- Each collar on the Mast System has four flat spots with two M6 holes for components such as Nycoils or intermediate antennas to attach (Figure 2-12).



*Figure 2-12 Flat Spots on Collars*

Contact The Will-Burt Company with any questions before performing any installation procedures.

---

## 2.8 Test the Installation

Follow all precautions while testing the Mast System installation.

**⚠ CAUTION**

**Equipment Damage!** Verify that a power source capable of delivering the specified Mast System voltage and current has been properly connected to the Control Box.

**⚠ CAUTION**

**Polarity!** Ensure the electrical mains polarity is correct before initializing the Mast System.

To test the installation:

1. Review the Pre-Operation Check (Section 3.1).
2. Prepare the Mast System for operation.
3. Extend the mast.
4. Lower the mast.

See Section 3 for additional details on these procedures.



## 2.9 Install Payload

The exact installation procedures for payload will vary based on the customer-specific payload and any adaptor being used. For optimal performance, center the payload as best as possible. If the payload will be offset a significant amount, contact The Will-Burt Company. Contact The Will-Burt Company with any questions before performing any installation procedures.

**⚠ WARNING**

**Payload Lifting Hazard!** Do not exceed specified payload capacity. Do not use mast to lift personnel. The mast is intended to lift a specific payload for lighting, surveillance or communication use only. Any other use without written consent is prohibited and could cause death or serious injury.

**⚠ WARNING**

**Safety Instruction – Mounting Instructions!** Before operation, be certain the mounting structure is capable of resisting forces generated from all loading and environmental conditions including, but not limited to payload size and weight, sail size, and wind and ice loading. The mounting hardware must include proper means to resist vibration loosening such as thread-locking compound or locking hardware. Mounting the payload into a structure unable to resist the forces generated from the customer-specific loading scenario could result in death or serious injury, and could damage the mast and mounting structure.

**⚠ WARNING**

**Safety Instruction – Payload Mounting!** The payload shall be bolted to the mast using all six of the provided mounting holes using proper thread locking techniques such as lock washers and locking compound.

**⚠ WARNING**

**Relocation Hazard!** The payload must be supported or removed prior to driving the vehicle to prevent damage to the mast and payload. Remove any payload tie down or locking features before operating the mast. Do not move the mast while it is being raised or lowered.

**⚠ CAUTION**

**Safety Instruction – Mast Access!** The operator must provide safe means to access the top of the mast during installation and removal of the payload.

In general, to install the payload:

1. Ensure power is removed from the Mast System while installing the payload to eliminate the possibility of inadvertent mast extension.
2. Carefully move the payload into position.
3. Properly secure the payload to the mast with customer-provided M8 high strength hardware. Choose the appropriate length of screw in order to allow maximum thread engagement with the threaded inserts. The standard Payload Interface has six M8x1.25 – 6H  $\downarrow$ 12mm holes (Figure 2-13). If required, the  $\varnothing$ 6  $\downarrow$  10.0 hole may be used for orientation. The mounting hardware must include proper means to resist vibration loosening such as thread-locking compound and/or locking hardware. Torque all hardware as appropriate for its size and grade.

The six  $\varnothing$ 8.2 thru holes on the side of the payload mount can be used for additional M8 bolts, quick release pins or a tether for additional payload security. These holes are oriented  $30^\circ$  from the bolt pattern on the top of the payload mount and are at a height of 0.5 inches below the top payload mount surface. Please contact Will-Burt Engineering to determine if your application requires these precautions.

Note: The Payload Interface has stainless steel inserts. When using stainless steel hardware, use an anti-seize to prevent galling. Use vibration locking methods that do not rely on thread locking compound when using anti-seize.

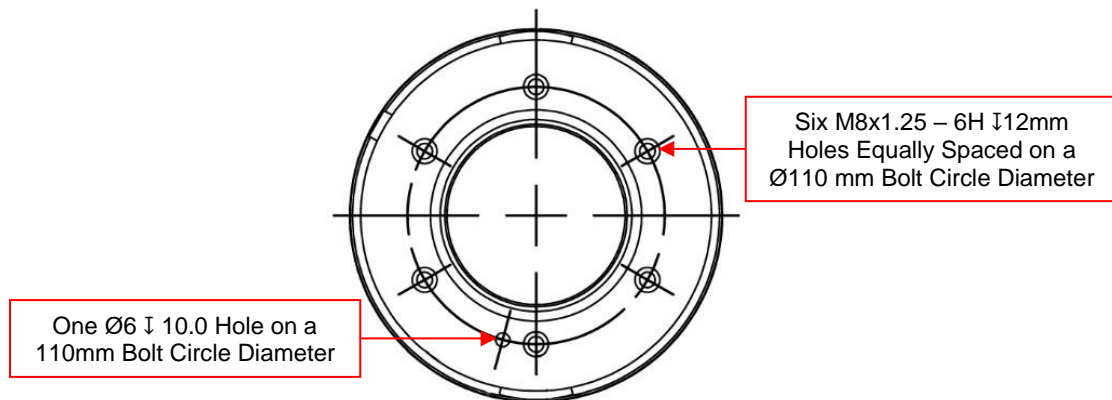


Figure 2-13 Mounting Hole Pattern (Payload Interface for 6-Meter Stiletto AL P/N: 711990692 Shown)

Contact the factory for alternatives to the depicted interface.

## Section 3 Operation

This section describes operation of the Mast System. The exact operating procedures will vary based on the configuration of your Mast System. Follow the appropriate operation procedures for your Mast System. This section assumes the mast is not guyed. See Section 7.2 for information pertaining to guying of the mast. Use care to understand and follow all precautions while operating.

### 3.1 Pre-Operation Check

Before operating the system, ensure:

- All operators read and understand the entire operation procedure
- The Mast System is properly installed and undamaged.
- The payload is properly installed. The payload should be bolted to the mast using the six M8x1.25 threaded holes in the top of the Top Tube Ring with high strength bolts and the appropriate thread locker. The six 8.2mm through holes on the side can be used for additional bolts, quick release pins or a tether for additional payload security. Please contact Will-Burt Engineering to determine if your application requires these precautions.
- The Mast System is undamaged. If damage is apparent, do not use the Mast System, and have it serviced prior to use.
- All electrical cables are undamaged and properly terminated.
- All payload cables are not tangled and are free to pay out as the mast extends.
- Any transit tie-downs on the payload have been removed.
- The area is free of power lines or other overhead obstructions. The Mast System location should be no closer than a horizontal distance equal to the extended height of the mast away from power lines.
- When using a vehicle, that the vehicle is not moving and is on level terrain. The mast can be operated on terrain having a slope up to:
  - 10° for the 4-Meter, 6-Meter, 8.54-Meter, and 10-Meter
  - 5° for the 15-Meter
- The Mast System area is free of personnel.
- The operator has full view of the Mast System during use.
- Ensure that the following precautions are understood and followed:

**⚠ WARNING**

**Trained Personnel Only!** Only trained and qualified personnel should perform operating procedures. Deviation from standard operating conditions and procedures could cause dangerous Mast System failure.

**⚠ WARNING**

**Safety Instruction – Operation!** Mast is recommended for outdoor operation. If used indoors, ensure overhead area is free of power lines or other overhead obstructions. Do not use in areas that have been classified as hazardous as defined in Article 500 of the National Electric Code (United States).

**⚠ WARNING**

**Keep Clear!** Keep personnel clear of the Mast System and mast extension path during operation. Do not lean over the mast.

**⚠ WARNING**

**Electrocution Hazard!** Mast tubes are aluminum construction and are highly conductive to electrical current. Ensure the area is free of overhead power lines and other unwanted sources of electricity. Follow applicable safety regulations when working near energized power lines. Operator death may occur by extending the mast into power lines or use during electrical storms. Be sure to allow sufficient clearance on all sides of the Mast System to allow for side sway. Do not deploy the mast if power lines are less than 50 ft. (15 m) from the center of the deployment site. Death or serious injury could result if proper precautions are not performed.

**⚠ WARNING**

**Mast Extension Hazard!** Before applying power and operating the mast, visually verify there is sufficient clearance above and to all sides of the expected location of the fully extended mast and payload. Check for and remove any objects that might obstruct motion, cause binding, or hinder function of the system. Ensure the operator has full view of the Mast System during use. Striking overhead obstructions could result in death or serious injury, and can damage the mast and payload, and could render the mast inoperable and partially extended.

**⚠ WARNING**

**Relocation/Driving Hazard!** Do not relocate the system during operation or while the mast is extended to any height above the nested position or powered up. Do not move vehicle until the mast has been securely nested and isolated from power. Power-up and operate the mast only if the vehicle is stationary and securely parked with the parking brake properly applied. Do not operate without the vehicle interconnect circuit installed. Relocating the system during operation or after the mast is extended could result in death or serious injury. Contact Will-Burt Engineering for special on-the-move situations for military only use.

**⚠ WARNING**

**Pinch Point Hazard!** Moving parts can crush and cut resulting in death or serious injury. Keep clear of moving parts while operating mast.

**⚠ CAUTION**

**Tangled and Damaged Cables!** Ensure cables are not tangled and are free to pay out as the mast is extended. Tangled cables can cause equipment damage. Ensure cables have adequate clearance from the Mast System so that the cables are not pinched between the collars or speared by the trigger posts as the mast is retracted.

**⚠ CAUTION**

**Voltage and Current!** Verify that a power source capable of delivering the specified Mast System voltage and current has been properly connected to the Control Box. Damage to the Control Box may occur if voltage drops below 18 volts during operation of the mast. Do not disconnect the power cable from J1 on the Control Box or from the power source while the mast is in motion (extending or retracting). This could result in damage to the Control Box.

**⚠ CAUTION**

**Polarity!** Ensure the electrical mains polarity is correct before initializing the Mast System.

### 3.2 Operation Equipment

Table 3-1 lists recommended equipment for operation.

*Table 3-1 Equipment Recommended for Operation*

Recommended Equipment*			
Personal Protective			
Safety Glasses	Work Gloves	Nitrile or Vinyl Gloves	
Hearing Protection	Hard Hat or Helmet	Safety Shoes	
Hand Tools			
Crank Handle Assembly (P/N: A3209918) (For manual operation only.)			
* Depending on the local, regional, and national standards and codes of practice, and the environment, additional personal protective equipment may be necessary.			

---

## 3.3 Controls

The Mast System can be operated with the:

- Universal Control Box (Powered Operation) (Section 3.4)
- PC Interface (Powered Operation) (Section 3.5)
- Crank Handle Assembly (Manual Operation) (Section 3.6)

### 3.3.1 Universal Control Box (Powered Operation)

Controlling the Mast System with the Universal Control Box allows for:

- Extending the mast
- Retracting the mast
- Nesting the mast
- Stopping the mast
- Moving the mast to a specific height (manual stop once target height is reached)
- Monitoring the mast parameters and limit switch inputs in real-time (issued error codes)
- Viewing the cycle count

### 3.3.2 PC Interface (Powered Operation)

The optional PC Interface allows for:

- Extending the mast
- Retracting the mast
- Nesting the mast
- Stopping the mast
- Moving the mast to a specific height
- Monitoring the mast parameters and limit switch inputs in real-time
- Viewing the cycle count

### 3.3.3 Crank Handle Assembly (Manual Operation)

The Crank Handle Assembly allows for:

- Extending the mast
- Retracting the mast
- Nesting the mast

## 3.4 Universal Control Box Operation

This section describes operation of the Mast System using the Universal Control Box.

If an emergency stop is required at any time, release the UP/DOWN Switch or press the emergency stop button. This will cause the mast to stop extending or retracting.

### Quick Reference

The following is a quick summary of operation of the Mast System using the Universal Control Box. Detailed instructions (Section 3.4.1) follow the quick summary.

In general, operate as follows:

1. Prepare the System for Powered Operation (Section 3.4.1.1)
2. Extend the Mast with UP/DOWN Switch (Section 3.4.1.2)
3. Extend the Mast with OVERRIDE Switch (Emergency Operation) (Section 3.4.1.3)
4. Retract the Mast with UP/DOWN Switch (Section 3.4.1.4)
5. Retract the Mast with OVERRIDE Switch (Emergency Operation) (Section 3.4.1.5)
6. Access the Cycle Count and Temperature with UP/DOWN Switch (Section 3.4.1.6)

### 3.4.1 Detailed Instructions

The following are detailed instructions describing the operation of the Mast System using the Universal Control Box.

#### 3.4.1.1 Prepare the System for Powered Operation

To prepare the Mast System for powered operation:

- Ensure the Mast System is stationary on level, stable ground
- Perform the Pre-Operation Check (Section 3.1)
- If necessary, remove any transit tie-downs
- If necessary, secure any cables to the mast
- If necessary, secure the payload to the mast (Section 2.9)
- If necessary, reset the emergency stop
- If necessary, turn on the optional (customer supplied) master power switch to supply power to the Mast System. The Universal Control Box will scroll the “STILETTO UNIVERSAL ...” message and then display, NESTED, DEPLOYED, an intermediate height, or an error code as appropriate.

The Mast System is now operational.

### 3.4.1.2 Extend the Mast with UP/DOWN Switch

To extend the mast with the UP/DOWN Switch:

1. Push back the switch guard covering the UP/DOWN Switch.
2. Hold the UP/DOWN Switch in the up position (Figure 3-1). As long as the UP/DOWN Switch is held in the up position, the mast will extend and the Display will show the appropriate intermediate extension height. Be sure to stay clear of the collars during operation as they create a pinch point hazard.

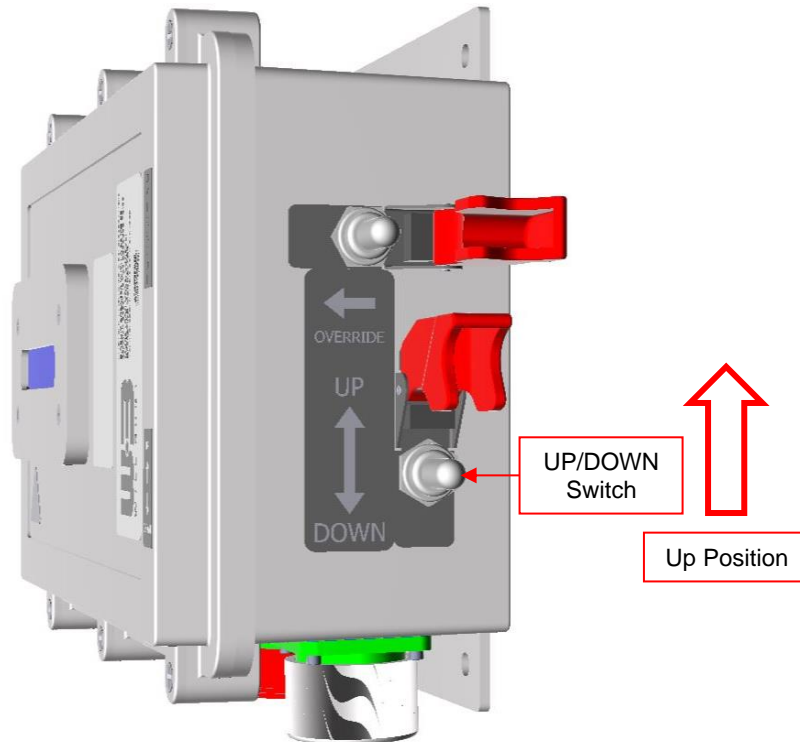


Figure 3-1 UP/DOWN Switch Up Position

3. Release the UP/DOWN Switch when the desired height is reached.

If the UP/DOWN Switch is released before the maximum extension is reached, the mast will quickly stop and the display will show the current extension.

If the UP/DOWN Switch is held long enough, the mast will automatically stop when the Full Extension Limit Switch is reached and the display will show "DEPLOYED".

4. Push the switch guard back into position to protect the UP/DOWN Switch.



### 3.4.1.3 Extend the Mast with OVERRIDE Switch (Emergency Operation)

The OVERRIDE Switch is used with the UP/DOWN Switch to ignore any errors returned by the Universal Control Box in order to extend and retract the mast. Use the OVERRIDE Switch only for emergency operation of the mast to complete a mission. Address the error code before the next mission.

**⚠ CAUTION**

**Equipment Damage – Overriding Sensor and Faults!** Only use OVERRIDE Switch for emergency operation of mast. When the OVERRIDE Switch is engaged, all sensors and faults generated by the controls of the mast are ignored. Power to the Motor will continue as long as the OVERRIDE Switch is held, even at the extreme high and low ends of travel. The limit switches typically used to prevent the mast from over-travelling at the extreme ends of travel will not function normally. Use extreme caution when using the OVERRIDE Switch at the fully extended and fully nested areas of mast deployment. Holding the UP/DOWN Switch beyond the limits of travel may result in equipment damage.

When using the OVERRIDE Switch to extend the mast:

1. Push back the switch guards covering the OVERRIDE Switch and the UP/DOWN Switch.
2. Hold the OVERRIDE Switch in the engage position and the hold the UP/DOWN Switch in the up position (Figure 3-2). As long as both switches are held, the mast will extend and the display will show the appropriate intermediate extension height. Be sure to stay clear of the collars during operation as they create a pinch point hazard.

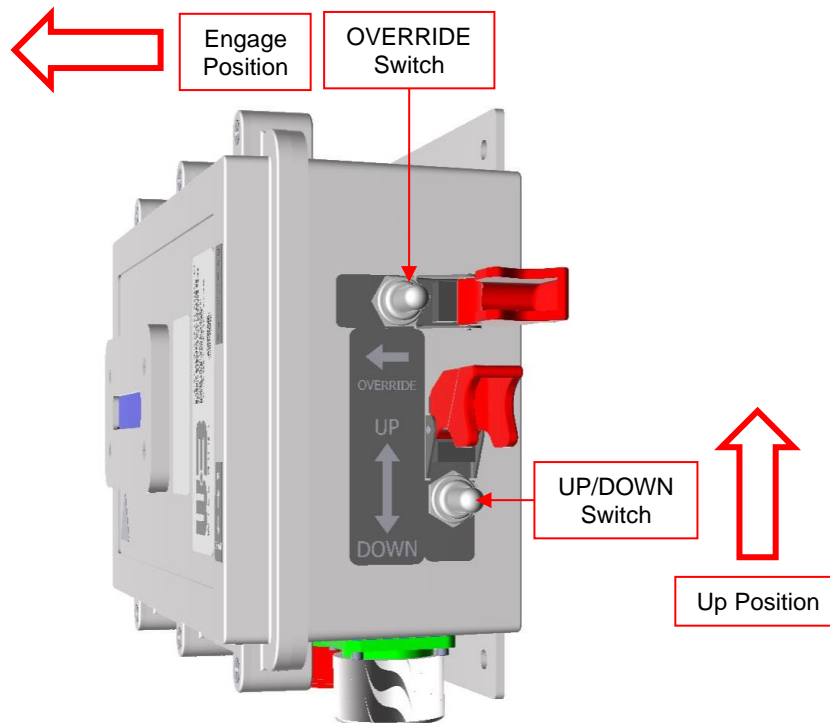


Figure 3-2 OVERRIDE Switch Engage Position and UP/DOWN Switch Up Position

3. Release the UP/DOWN Switch and OVERRIDE Switch when the desired height is reached.
4. Push both switch guards back into position to protect the UP/DOWN and OVERRIDE Switches.

#### 3.4.1.4 Retract the Mast with UP/DOWN Switch

To retract the mast with the UP/DOWN Switch:

1. Push back the switch guard covering the UP/DOWN Switch.
2. Hold the UP/DOWN Switch in the down position (Figure 3-3). As long as the UP/DOWN Switch is held in the down position, the mast will retract and the display will show the appropriate intermediate extension height. Be sure to stay clear of the collars during operation as they create a pinch point hazard.

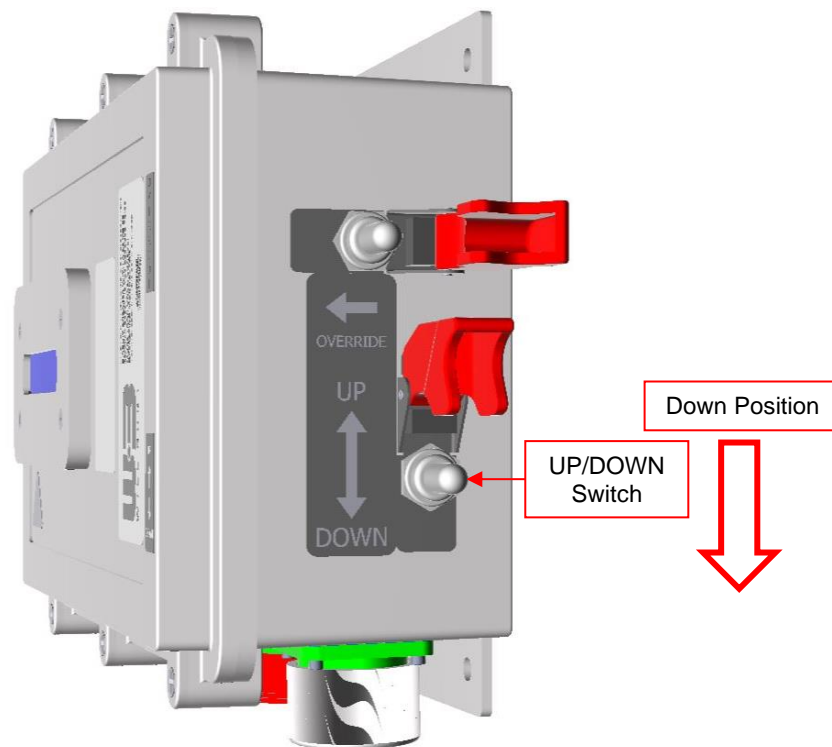


Figure 3-3 UP/DOWN Switch Down Position

3. Release the UP/DOWN Switch when the desired height is reached.

If the UP/DOWN Switch is released before the Nested position is reached, the mast will quickly stop and the display will show the current extension.

If the UP/DOWN Switch is held long enough, the mast will automatically stop when the Full Nested Limit Switch is reached and the display will show “NESTED”.

### 3.4.1.5 Retract the Mast with OVERRIDE Switch (Emergency Operation)

The OVERRIDE Switch is used with the UP/DOWN Switch to ignore any errors returned by the Universal Control Box in order to extend and retract the mast. Use the OVERRIDE Switch only for emergency operation of the mast.

**⚠ CAUTION**

**Equipment Damage – Overriding Sensor and Faults!** Only use OVERRIDE Switch for emergency operation of mast. When the OVERRIDE Switch is engaged, all sensors and faults generated by the controls of the mast are ignored. Power to the Motor will continue as long as the OVERRIDE Switch is held, even at the extreme high and low ends of travel. The limit switches typically used to prevent the mast from over-travelling at the extreme ends of travel will not function normally. Use extreme caution when using the OVERRIDE Switch at the fully extended and fully nested areas of mast deployment. Holding the UP/DOWN Switch beyond the limits of travel may result in equipment damage.

When using the OVERRIDE Switch to retract the mast:

1. Push back the switch guards covering the OVERRIDE Switch and the UP/DOWN Switch.
2. Hold the OVERRIDE Switch in the engage position and the hold the UP/DOWN Switch in the down position (Figure 3-4). As long as both switches are held, the mast will retract and the display will show the appropriate intermediate extension height. Be sure to stay clear of the collars during operation as they create a pinch point hazard.

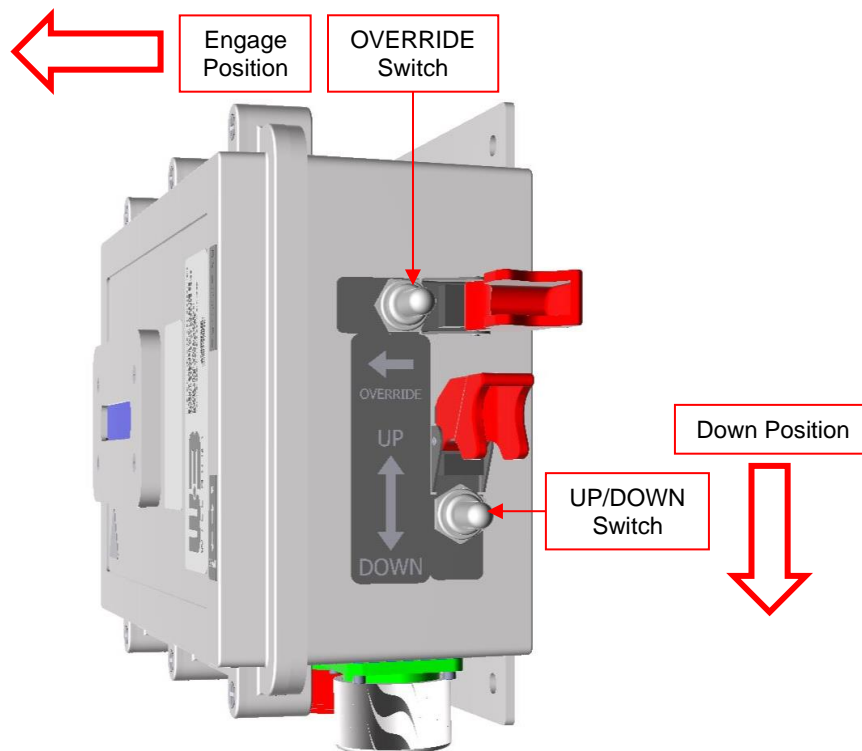


Figure 3-4 OVERRIDE Switch Engage Position and UP/DOWN Switch Down Position

3. Release the UP/DOWN Switch and OVERRIDE Switch when the desired height is reached.
4. Push both switch guards back into position to protect the UP/DOWN and OVERRIDE Switches.

#### 3.4.1.6 Access the Cycle Count and Temperature with UP/DOWN Switch

The cycle count and temperature:

- Can only be accessed using the Universal Control Box or PC Interface.
- Cannot be accessed during manual operation

To access the cycle count and temperature:

1. Ensure the mast is nested and the UP/DOWN Switch is released.
2. Hold the UP/DOWN Switch in the down position. The cycle count and temperature inside the Universal Control Box will alternately show on the Display.

Note: The cycle count drives periodic maintenance procedures. The cycle counter increments every time the DOWN Limit Switch is released and then made again. This will occur anytime the mast is raised approximately one inch or more and lowered to the fully retracted position.

The cycle count only updates when using the Universal Control Box or PC Interface. Manually operating the mast will not adjust the cycle count.

### 3.5 PC Interface Operation

For information on operation using the PC Interface, contact The Will-Burt Company.

## 3.6 Crank Handle Operation

This section describes operation of the Mast System using the Crank Handle Assembly.

**⚠ WARNING**

**Safety Instruction – Electrical Hazard!** Never manually operate the mast while power is still applied to the system. Ensure the Mast System is de-energized and the power source is properly tagged out. Any attempt to electrically energize the Mast System when manually operating the mast may result in injury.

**⚠ WARNING**

**Safety Instruction – Kinetic Energy!** This mast has an automatic failsafe brake. No manual intervention is required during manual operation. In the unlikely event of brake failure the mast can back-drive. Potentially destructive kinetic energy may be created.

**⚠ WARNING**

**Safety Instruction – Protective Equipment!** Appropriate safety helmet and gloves shall be worn when operating the mast manually.

**⚠ CAUTION**

**Equipment Damage – Manual Operation!** When manually extending or retracting the mast, do not drive past the normal extended or nested stops. Do not apply in excess of 50 lb.-ft. (68 N-m) when using the Crank Handle Assembly. The normal protections are being bypassed and equipment damage could occur.

**⚠ CAUTION**

**Equipment Damage – Manual Operation!** Use caution to avoid strain when operating the hand crank.

Note: When not in use, store the Crank Handle Assembly in an accessible area in close proximity to the mast.

### 3.6.1 Quick Reference

The following is a quick summary of operation of the Mast System using the Crank Handle Assembly. Detailed instructions (Section 3.6.2) follow the quick summary.

In general, operate as follows:

- Prepare the System for Manual Operation (Section 3.6.2.1)
- Extended the Mast with the Crank Handle Assembly (Section 3.6.2.2)
- Retract the Mast with the Crank Handle Assembly (Section 3.6.2.3)

## 3.6.2 Detailed Instructions

The following are detailed instructions describing the operation of the Mast System using the Crank Handle Assembly.

Use manual operation for emergency situations only. The normal limit switches and software limits are not in effect during manual operation. There are mechanical hard stops just beyond both the upper and lower limit switch locations that will stop the mast safety, however it is good practice to stop the mast at the normal positions.

Note: When manually operating the mast, the intermediate height on the Universal Control Box will not change.

### 3.6.2.1 Prepare the System for Manual Operation

To prepare the Mast System for manual operation:

- Ensure the Mast System is stationary on level, stable ground
- Perform the Pre-Operation Check (Section 3.1)
- Ensure power is removed from the Mast System. Do not manually operate the Mast System with power to the Mast System.
- Retrieve the Crank Handle Assembly from its storage location.

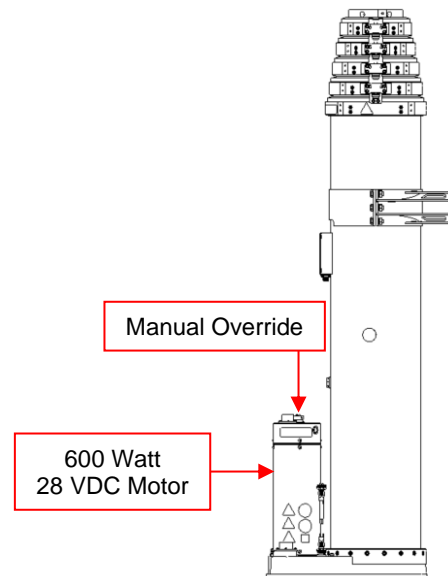
The Mast System is now operational.

### 3.6.2.2 Extend the Mast with Crank Handle Assembly

When power is removed from the Mast System, the brake is applied to the Motor. This prevents the mast from back driving. When manually operating the Mast System, the operator should expect resistance by the brake.

To extend the mast manually:

1. Ensure the mast is not powered. Do not access the Manual Override until power has been removed from the Mast System.
2. Locate the Manual Override on top of the Motor (Figure 3-5).



*Figure 3-5 Manual Override*

3. Remove the dust cap protecting the Manual Override.
4. Insert the Crank Handle Assembly.
5. Use the Crank Handle Assembly to extend the mast by turning the Crank Handle Assembly clockwise. Be sure to stay clear of the collars during operation as they create a pinch point hazard.
6. When the mast has reached the desired height, remove the Crank Handle Assembly and secure the dust cap in place to protect the Manual Override from dust, sand, and moisture intrusion.

Note: The mast will hit a hard stop when completely extended.

7. Store the Crank Handle Assembly in an accessible area in close proximity to the mast.

### 3.6.2.3 Retract the Mast with Crank Handle Assembly

When power is removed from the Mast System, the brake is applied to the Motor. This prevents the mast from back driving. When manually operating the Mast System, the operator should expect resistance by the brake.

To retract the mast manually:

1. Ensure the mast is not powered. Do not access the Manual Override until power has been removed from the Mast System.
2. Locate the Manual Override on top of the Motor (Figure 3-5).
3. Remove the dust cap protecting the Manual Override.
4. Insert the Crank Handle Assembly.
5. Use the Crank Handle Assembly to retract the mast by turning the Crank Handle Assembly counterclockwise. Be sure to stay clear of the collar during operation as they create a pinch point hazard.
6. When the mast has reached the desired height, remove the Crank Handle Assembly and secure the dust cap in place to protect the Manual Override from dust, sand, and moisture intrusion.

Note: The mast will hit a hard stop when completely nested.

7. Store the Crank Handle Assembly in an accessible area in close proximity to the mast.



## Section 4 Transportation

Before transporting the Mast System, the Mast System needs to be secured. The exact procedures for transportation will vary based on the Mast System configuration. The process described in this manual represents a possible method of transporting the mast. Depending on the environment and equipment available, other methods may work better. Use the best and safest method for your circumstances.

### WARNING

**Relocation Hazard!** Do not relocate the system during operation or while mast is extended. Do not move vehicle until the mast has been securely nested. This applies especially to vehicle-mounted masts. The payload must be supported or removed prior to driving the vehicle to prevent damage to the mast and payload. Remove any payload tie down or locking features before operating the mast.

### CAUTION

**Safety Instruction – Mast Access!** The operator must provide safe means to access the top of the mast during installation and removal of the payload.

### 4.1 General Transportation

To prepare the Mast System for transportation:

1. Ensure the mast is fully nested. Do not transport the Mast System with the mast and payload extended. Always visually confirm the mast is fully retracted before moving the mast. Please contact Will-Burt Engineering for special circumstances for transportation without the mast nested for military use only.
2. The vehicle interlock circuit should confirm the mast is nested and disconnect power to the unit before moving the vehicle.
3. If used, ensure the optional master power switch is off to eliminate the possibility of inadvertent mast extension.
4. Ensure the payload is removed, supported, or otherwise isolated from the Top Tube to prevent damage to the mast and payload. Consult Will-Burt Engineering for applications where the payload is not removed or supported.
5. If necessary, secure any additional components in the Mast System.

Note: The operator should always visually confirm the mast is entirely retracted before moving the vehicle.

## 4.2 Shipping

When shipping the Mast System, The Will-Burt Company recommends shipping the mast bolted down in the original shipping crate. If the original shipping crate is not available, contact The Will-Burt Company to order a replacement.

**⚠ WARNING**

**Safety Instruction – Observe Proper Procedures!** Use extreme caution while lifting the Mast System and when Mast System is suspended to avoid injury and equipment damage. Be certain the Mast System is properly secured. All operators should be aware of and follow the applicable local, regional, and national standards and codes of practice for slinging and transporting equipment. Never lift the Mast System over people. Ensure lifting equipment including, but not limited to, lifting straps and hoist, are capable of handling the forces generated from lifting the system. Observe manufacturer instructions on lifting equipment. Death or serious injury could result if proper procedures are not followed.

When shipping:

1. As necessary, remove the payload.
2. As necessary, prepare the Mast System for transportation (Section 4.1).
3. As necessary, uninstall the Mast System from the mounting structure (Section 2).
4. Secure the Mast System in the shipping crate:
  - a. Carefully position the mast in the crate.
  - b. Secure the block at the top of the mast to prevent the mast from shifting in the shipping crate during transportation.
  - c. Secure the top half of the wooden mast saddles.
  - d. As necessary, carefully pack any additional components in the shipping crate.
  - e. Secure the lid on the shipping crate.

## Section 5 Maintenance

This section describes maintenance procedures required to keep the system operational. Use care to understand and follow all precautions while performing these procedures.

Disconnect power to the mast system and any devices mounted to the mast with lock out tag out procedures as appropriate before performing mast maintenance. The J1 connector on the Universal Control Box can be removed to isolate power to the mast and control box. Be sure source power is removed before removing the J1 connector.

### 5.1 Pre-Maintenance Check

Before performing maintenance procedures, ensure:

- All operators read and understand the entire maintenance procedure and are properly trained.
- The payload is removed prior to performing maintenance on the system.
- The system is level and secure.
- The following precautions are understood and followed:

**⚠ WARNING**

**Trained Personnel Only!** Only trained and qualified personnel should perform maintenance and servicing procedures. Only a properly trained and qualified certified electrician should perform electric maintenance and service. Death or serious injury could result if proper maintenance procedures and inspections are not observed.

**⚠ WARNING**

**Tip Over Hazard!** Before performing maintenance or repair, ensure the Mast System is level and secure. Injury to personnel or equipment damage could occur if the Mast System tips over.

**⚠ WARNING**

**Health and Safety Hazard!** Solvent used to clean parts is potentially dangerous. Follow solvent manufacturer's safety procedures and recommendations. Avoid inhalation of fumes and also prolonged contact to skin. Death or serious injury could occur if solvents are not handled properly.

**⚠ WARNING**

**Fire Hazard!** Do not smoke. Use cleaning solvent in a well-ventilated area. Keep cleaning solvent away from ignition sources including open flame, arcing equipment, heaters, and excessive heat. Always store cleaning solvent in the proper marked container. Cleaning solvent, used for maintenance, is flammable and can be explosive resulting in death or serious injury.

**⚠ WARNING**

**De-Energized!** Always ensure all electrical circuits to the Mast System are de-energized and properly tagged and locked out prior to performing maintenance or repair procedures.

**⚠ WARNING**

**Remove Payload!** Remove payload before performing maintenance on the Mast System.

**⚠ WARNING**

**Safety Instruction – Observe Proper Procedures!** Use extreme caution while lifting the Mast System and when Mast System is suspended to avoid injury and equipment damage. Be certain the Mast System is properly secured. All operators should be aware of and follow the applicable local, regional, and national standards and codes of practice for slinging and transporting equipment. Never lift Mast System over people. Ensure lifting equipment including, but not limited to, lifting straps and hoist, are capable of handling the forces generated from lifting the system. Observe manufacturer instructions on lifting equipment. Death or serious injury could result if proper procedures are not followed.

**⚠ CAUTION**

**Disconnect Power!** Power must be disconnected before connecting or disconnecting any Mast System connector. For example, power must be disconnected when connecting or disconnecting J1, J2, J3, and J4 on the Control Box. Do not disconnect the power cable from J1 on the Control Box or from the power source while the mast is in motion (extending or retracting). This could result in damage to the Control Box.

## 5.2 Maintenance Equipment

Table 5-1 lists recommended equipment for maintenance.

Table 5-1 Equipment Recommended for Maintenance

Recommended Equipment*			
Personal Protective			
	Safety Glasses	Work Gloves	Nitrile or Vinyl Gloves
	Hearing Protection	Hard Hat or Helmet	Safety Shoes
Hand Tools			
	Paint Brushes	Screwdrivers	Torque Wrench
	Wire Brush	Wrenches	
Equipment			
	Grease Gun	Hoist	Sling
Expendables			
	Denatured Alcohol or Other Solvent	Drive Screw Lubricant (P/N: 4288601)	Non-Abrasive Cleaners (Soap and Water)
	Rags (Soft, Clean, and Dry)	Touchup Paint	
* Note:			
<ul style="list-style-type: none"> <li>Depending on the local, regional, and national standards and codes of practice, and the environment, additional personal protective equipment may be necessary.</li> <li>When disposing of any disposables or components, do so according to any applicable local, regional, and national standards and codes of practice.</li> </ul>			

## 5.3 Spare Parts

To order spare or replacement parts, always refer to the mast model number and serial number. The model number, serial number, and additional information is engraved on the mast Identification Plate (Section 1.7.1.11). Throughout this manual, “P/N” followed by a number represent the part number for that component. To order spare parts, or for the part numbers for additional components, contact The Will-Burt Company.

## 5.4 Preventative Maintenance Checks and Services (PMCS)

This section describes the systematic care, inspection, and servicing of equipment to keep it in good condition and to prevent breakdowns. If the Mast System does not perform as required, see Section 6. If anything looks wrong and cannot be diagnosed and/or fixed, the Mast System should be taken to the next higher level maintenance facility. The Will-Burt Company recommends creating and maintaining a maintenance log for each Mast System.

## 5.4.1 Schedule

Table 5-2 provides a schedule of preventative maintenance inspections and procedures required to keep the Mast System in good operating condition.

Table 5-2 Preventative Maintenance Schedule

Frequency	Inspection	Action
As Needed  (In salt water environments, clean the mast at least every three months.)	<b>Keep Clean</b> – Inspect to ensure the Mast System is kept clean and free from foreign material. Dirt, grease, oil, and debris may cover up a serious problem.	Clean as you work and as needed. Use denatured alcohol on all metal surfaces. Use water when cleaning rubber or plastic material. Use soap and water when cleaning the exterior surfaces of the mast tubes. Use a soft, non-abrasive cloth to wipe clean the bezel on the Universal Control Box display.
During Operation	<b>Damage</b> – Inspect for damage before use. During extension and retraction of the mast, inspect the outer surfaces for damage.	If damage is apparent, do not use the Mast System and have it serviced before use.
During Operation	<b>Binding</b> – During extension and retraction of the mast, observe mast operation for evidence of binding.	Remove any foreign material or obstructions as necessary.
Weekly	<b>Damage</b> – Inspect all visible surfaces for damage.	If damage is apparent, do not use the Mast System and have it serviced before use.
Weekly	<b>Finish</b> – Inspect the condition of the mast finish. Look for bare metal, rust, and corrosion.	Remove any rust or corrosion with a wire brush. Touchup any bare metal with touchup paint.
Weekly	<b>Fasteners</b> – Inspect external fasteners. Look for loose, missing, bent, or broken fasteners. Look for chipped paint, bare metal, or rust around the bolt heads. Pay particular attention to the fastener securing the Mast System to the mounting surface, the mast to the Drive Assembly, the Motor to the Drive Assembly, and the payload to the mast.	Replace any missing or damage hardware. If any hardware is found loose, retighten. If loose fasteners joining major components cannot be tightened, do not use the Mast System and have it serviced before use.

Continued

Table 5-2 Preventative Maintenance Schedule Continued

Frequency	Inspection	Action
Weekly	<b>Mast Cables</b> – Inspect Mast System cables. Look for cracked, frayed, or broken insulation; bare wires; loose or broken connectors. Ensure the cables and bulkhead connectors are clean, the pins undamaged, and the threads in good condition.	Replace cables as required. Tighten loose connections. If the bulkhead connectors are unable to mate with the corresponding cable, do not use the Mast System and have it serviced before use.
Weekly	<b>Payload Cables</b> – Inspect any cables going up to the payload for signs of pinching between the collars or spearing by the trigger posts.	Replace cables as required.
Weekly	<b>Cycle Counter</b> – Check to ensure Cycle Counter is operating properly by noting that during initial cycle of the mast the cycle counter increases by one. Refer to Section 3.4.1.6 for cycle counter operation.	
Monthly	<b>Clean and Lubricate</b> – During consistent use in dusty environments, lock assemblies may require additional cleaning and lubrication.	Reference Section 5.4.4.4 and Section 5.4.4.5 for instructions on cleaning and lubrication in corrosive environments.
50 – 100 Cycles or as Required	<b>Corrosive Environment</b> – When the Mast System is in a corrosive environment, inspect for damage and lubricate the mast. See Section 5.4.4.3.	
500 Cycles	<b>Lubricate</b> – Lubricate the Drive Screw. See Section 5.4.2.	

<p>3,000 Cycles</p>	<p><b>Extension Nuts</b> – Inspect and replace as required. Every mast application, payload, and environmental condition is different. Nuts will wear at different rates depending on the conditions. The Will-Burt Company recommends replacing any nut where more than 25% of the threads are missing (measured top to bottom of the nut). Nuts should also be replaced if any other damage to the threads is apparent. This includes thinning, rolled, or missing threads over the length of the nut. See Figure 5-1 for further clarification.</p>	<p>Replacing the extension nuts requires special training due to potential collapse hazard. Contact The Will-Burt Company for details about factory training and/or factory rebuild.</p>
<p>5,000 Cycles (or 7 Years)</p>	<p><b>Overhaul</b> – Return for complete factory overhaul and rebuild.</p>	



Over 25% Of Threads Worn or Missing



New Extension Nut

*Figure 5-1 Worn Extension Nut vs. New Extension Nut*



## 5.4.2 Lubricate the Drive Screw

This section describes how to lubricate the Drive Screw. The Drive Screw should be lubricated every 500 cycles.

**⚠ CAUTION**

**Equipment Damage!** Do not substitute any grease for the Will-Burt drive screw lubricant (P/N: 4288601). This is a super-premium aerospace grade product and is required for specified performance and life.

Lubricate the Drive Screw as follows:

1. Charge the Grease Gun that shipped with the Mast System with a cartridge of Drive Screw Lubricant (P/N: 4288601). Drive Screw Lubricant can be ordered separately from The Will-Burt Company.
2. Fully extend the mast.
3. Remove the hex-shaped access plug from the grease port on the side of the Base Tube (Figure 5-2).

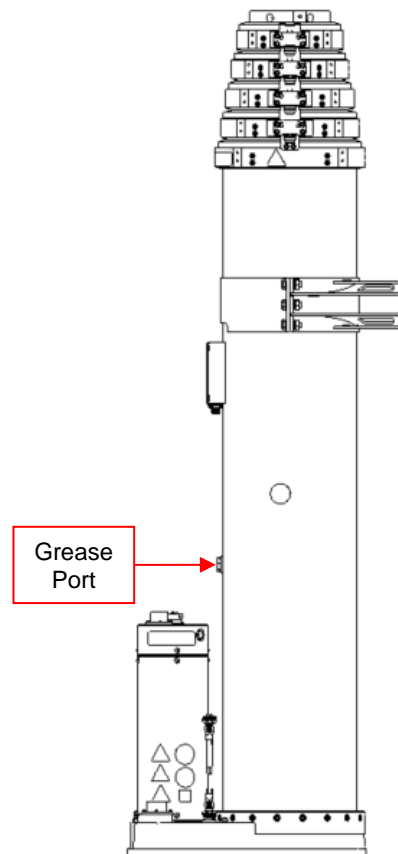


Figure 5-2 Grease Port

4. Remove the hydraulic coupling (cap) from the output tube of the Grease Gun.

5. Prime the Grease Gun by pumping the handle a few times until grease is seen to exit the tube.
6. Insert the tube through the access holes to touch the Drive Screw directly.
7. Apply a generous dab of grease (two strokes of the handle or approximately 1/14 of the cartridge) onto the Drive Screw.
8. Jog the mast about  $\frac{3}{4}$  inch (19 mm) (one half revolution of the Drive Screw) and apply another generous dab (two strokes of the handle or approximately 1/14 of the cartridge). It is not necessary to use an entire cartridge of grease during a single maintenance procedure. The cartridge should last for seven greasing operations.
9. Replace the access plug into the access plate. Screw the hydraulic coupling (cap) back onto the output tube of the Grease Gun.
10. Retract the mast completely, extend it completely and retract it completely to distribute the grease over all the Extension Nuts and the complete Drive Screw.
11. Record the date, cycle count, and procedure in the mast's maintenance record.

### 5.4.3 Mast Damage

If damage to the mast occurs, do not use the Mast System and have it serviced before use. Servicing the Mast System may require removal of the Mast System. If the Mast System is installed on a vehicle, consult the vehicle manual for specific installation details.

In general, remove the Mast System as follows:

1. Disconnect power from the Mast System.
2. Disconnect the power cable from J1 on the Universal Control Box.
3. Disconnect Mast Sensor Cable from J2 on the Universal Control Box and J6 on the mast.
4. Disconnect the Motor and Brake Cable from J3 on the Universal Control Box and J5 on the mast.
5. Disconnect any data cable from J4 on the Universal Control Box.
6. Remove the Support Bracket Assembly.
7. Remove the mounting hardware from the base of the mast.

## 5.4.4 Maintenance in Corrosive Environments

This section describes procedures to be done when the Mast System is in a corrosive environment. These procedures should be done every 50 to 100 cycles or as needed. Follow all precautions while maintaining the Stiletto AL. Contact the Will-Burt Company with any questions before performing any procedure outlined in this document.

### 5.4.4.1 Maintenance Schedule

Inspect, repair, clean, and lubricate the mast:

- Monthly (Section 5.4.4.4)
- Yearly (Section 5.4.4.5)
- As Required

### 5.4.4.2 Required Tools and Materials

Required tools and materials include:

- Assorted Hand Tools
- Pressurized Air
- Eye Protection
- Loctite 242/263
- Dry Film Spray Lubricant with Application Tube or Straw

Possible lubricants include:

- Dow Corning “molykote” 321 Dry Film Lubricant
- CRC #03094 Dry Graphite Lubricant
- Blaster Advanced Dry Lube with Teflon (Manufacturing Model # 16-TDL)

### 5.4.4.3 Inspect and Repair

Inspect and repair as follows:

1. With the mast nested, visually inspect all mast fasteners. Replace any damaged, corroded, or pitted fasteners.
2. With the mast nested, visually inspect all cables and connectors. Replace any damaged, corroded, or pitted cables and connectors.

Inspect for rust and corrosion. While extending and retracting the mast tubes, inspect for rust and corrosion on the mast tubes. If any bare metal or corrosion exists, remove it with a wire brush and repair with touchup paint.

### 5.4.4.4 Clean and Lubricate (Monthly)

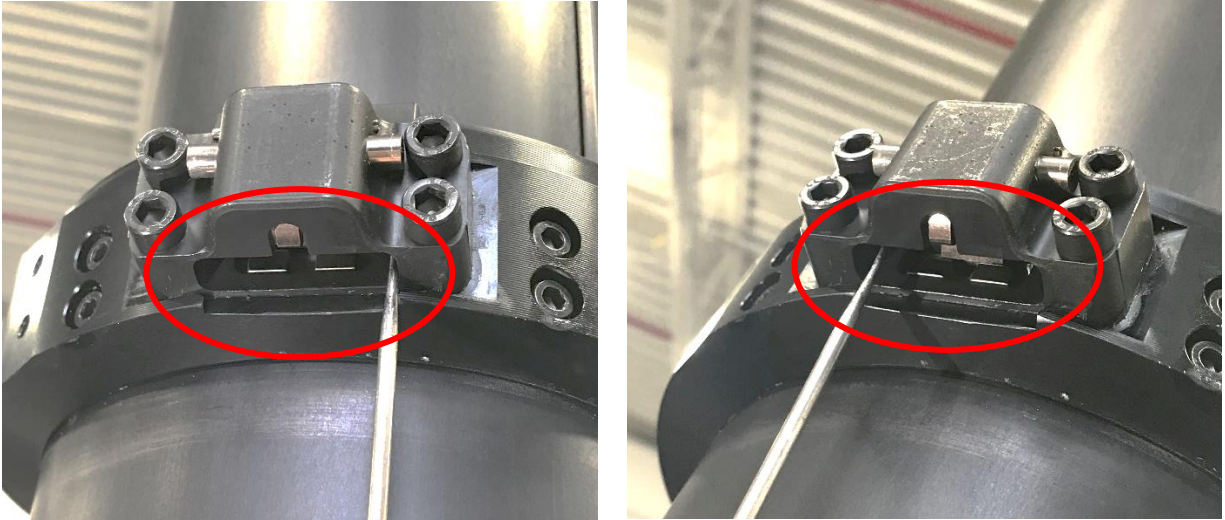
Clean and lubricate starting with the top tube section and working to the bottom as follows:

1. Raise the mast so that the tube section collar is raised approximately (6) inches (15.24 cm) above the next tube section's collar (Figure 3).



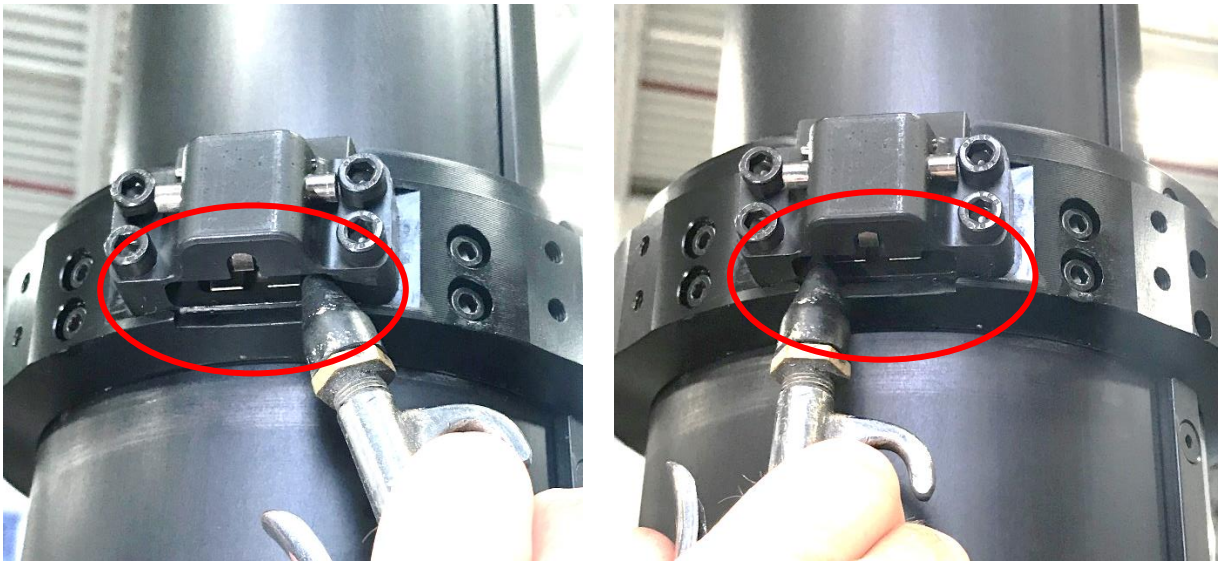
*Figure 3 Extend Mast*

- Using a pick, lightly dust/clean out the bottom opening of the lock housing assembly (Figure 4). Use gentle swirling/circling motions to clean out thoroughly.



*Figure 4 Gently Clean Out Lock Housing Assembly Cavity (Bottom) With Pick*

- Insert the hose nozzle from an air compressor or from the facility clean/dry pressurized air into the bottom opening of the lock housing assembly and blow out any excessive dirt and sand buildup from the locking mechanism and collar. Use short, controlled bursts of air and move the nozzle in different angles to remove the debris (Figure 5).



*Figure 5 Blow Out Excessive Debris*

4. Apply a small amount of dry lubricant into the bottom opening of the lock housing assembly (Figure 6). Use short, controlled bursts and move the lubricant applicator in different angles to coat the cavity. Avoid excessive lubricant on the collars or tubes (Figure 6).

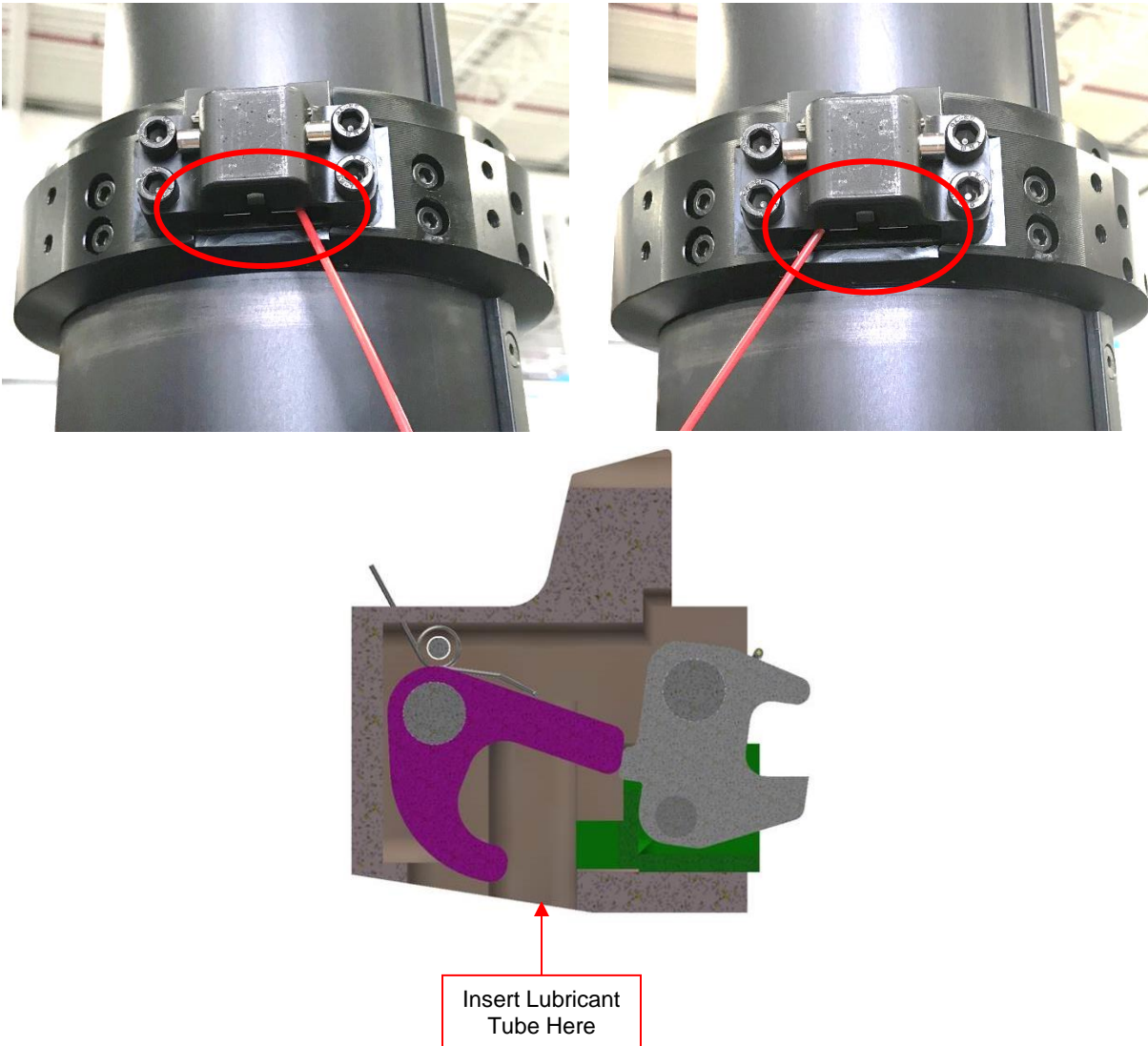


Figure 6 Apply Lubricant in Short, Controlled Bursts

5. Repeat steps 1 through 4 for each tube section collar and all locking mechanisms.
6. After all tube section locking mechanism and collars have been cleaned, lower the mast until it is fully retracted (nested position).

Note: If binding, high current draw, or excessively loud locking/unlocking continues, the locking mechanism must be removed and repaired or replaced by factory trained personnel.

For additional cleaning and inspection procedures, refer to Section 5.4.4.5 (Annual Cleaning).

5.4.4.5 Clean and Lubricate (Annually)

Clean and lubricate as follows:

1. Lower the mast (if extended) until the mast is fully nested (Figure 7).

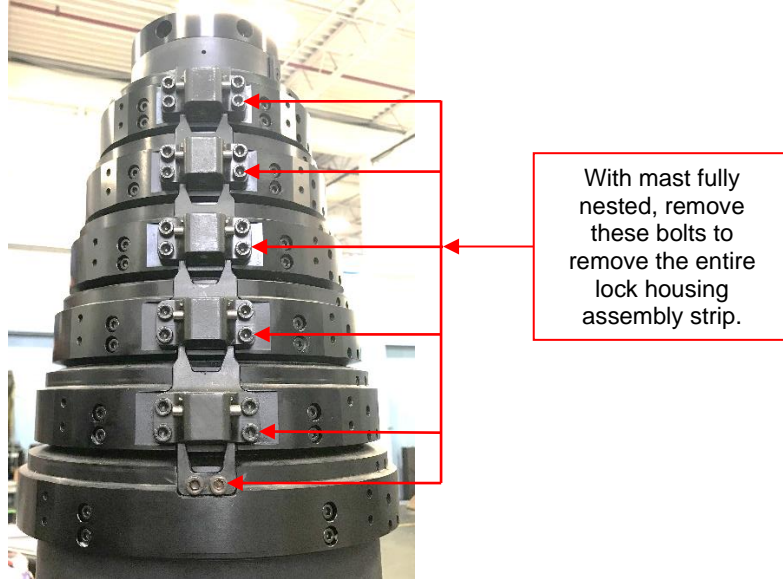


Figure 7 Ensure Mast is Fully Nested

2. Unbolt and remove the lock housing assembly all at once. This forms a locking housing assembly strip (Figure 8). Make note of the order of the assembly strip to ensure each lock housing assembly unit is placed on its correct collar. The technician can use a piece of masking tape with a number written on it to help keep track.

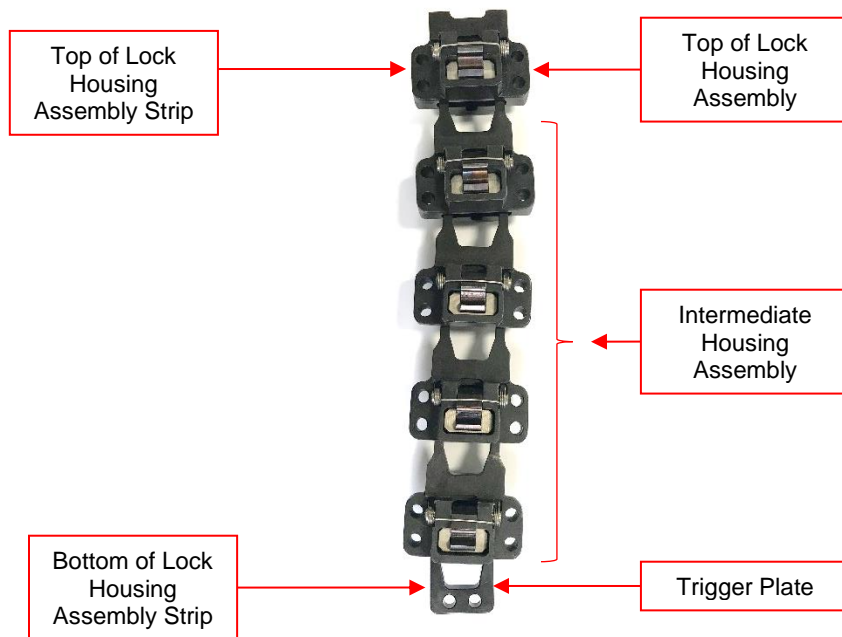


Figure 8 Lock Housing Assembly Strip

3. Starting from the bottom, separate a lock housing assembly unit from the rest of the strip.
  - a. To remove the bottom trigger plate from the strip, hold down lock rocker. Holding the lock rocker down opens the brace, which allows the trigger plate to be removed (Figure 9).

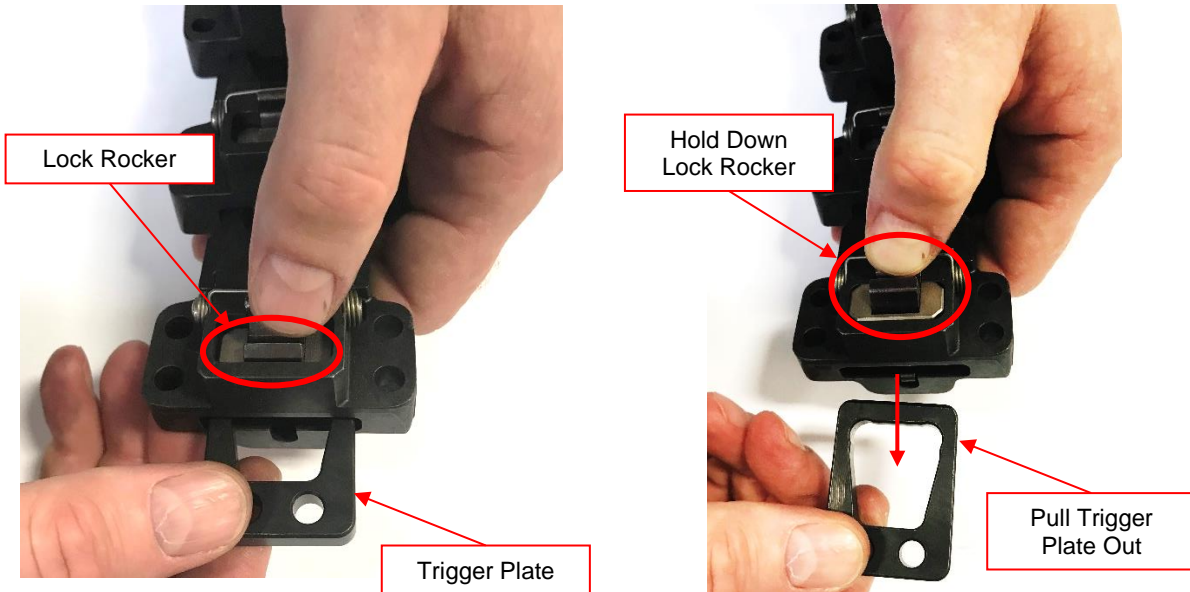


Figure 9 Remove Bottom Trigger Plate

- b. After the bottom trigger plate is removed, a lock housing assembly can be removed. Hold down the lock rocker and pull out the lock housing assembly (Figure 10).

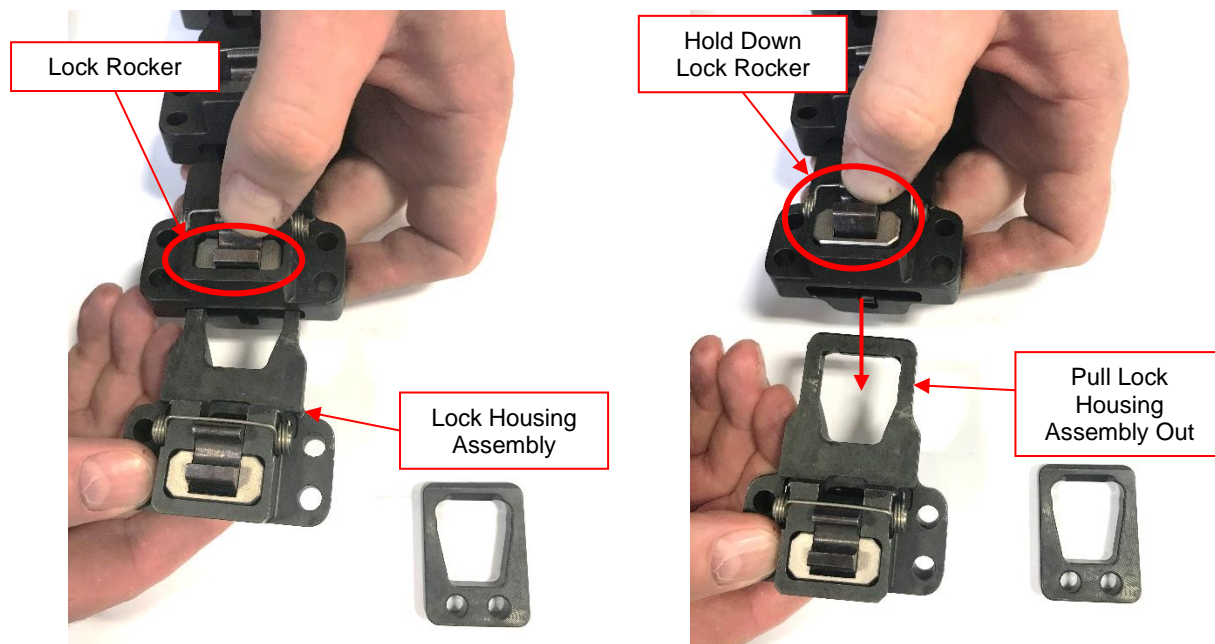
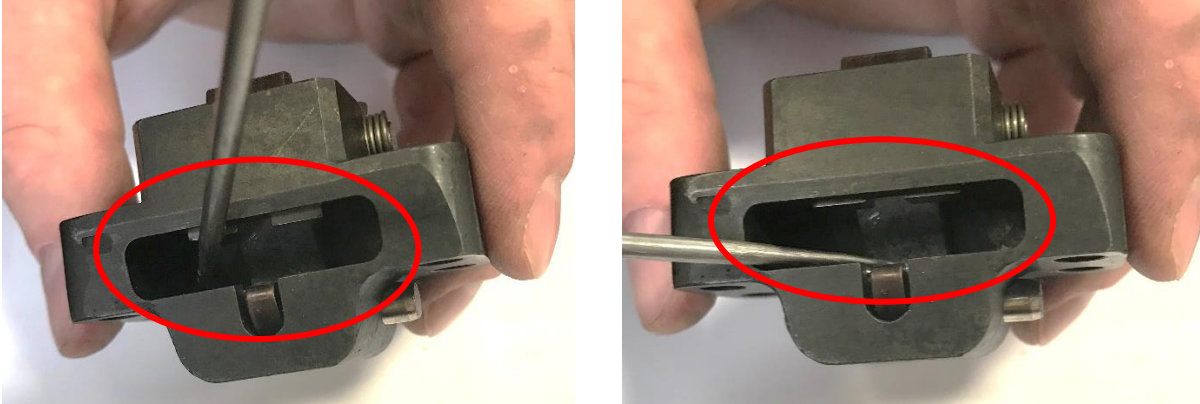


Figure 10 Detach Lock Housing Assembly



- Using a pick, lightly dust/clean out the bottom opening of the lock housing assembly. Use gentle swirling/circling motions to clean out thoroughly (Figure 11).



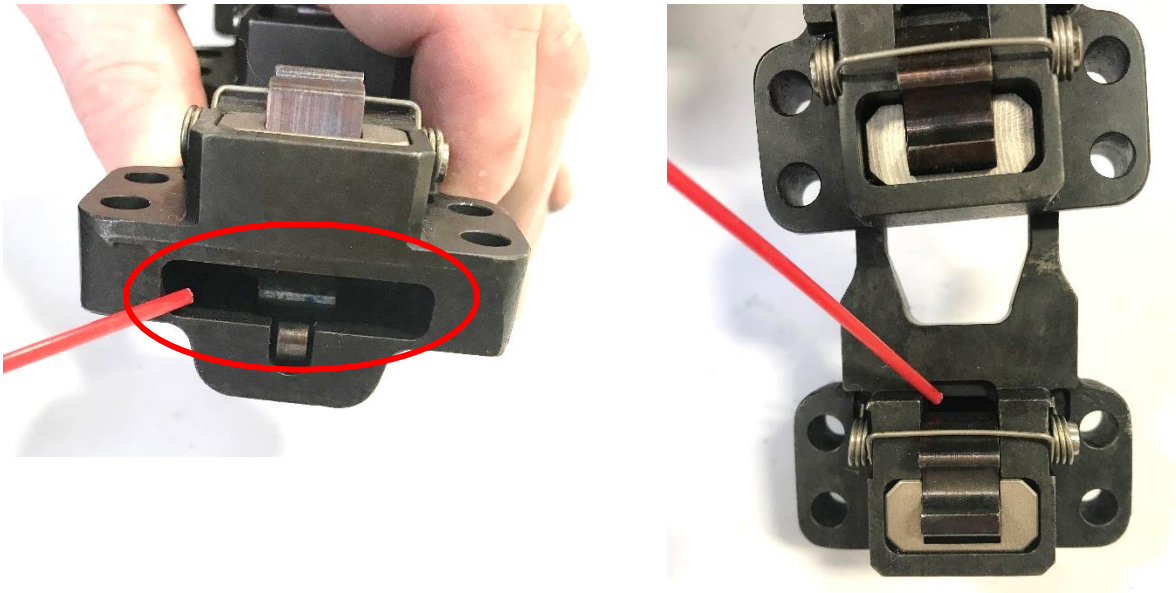
*Figure 11 Gently Clean Out Lock Housing Assembly Cavity (Bottom) With Pick*

5. Insert the hose nozzle from an air compressor or from the facility clean/dry pressurized air into the bottom opening of the lock housing assembly and blow out any excessive dirt and sand buildup from the locking mechanism and collar. Use short, controlled bursts of air and move the nozzle in different angles to remove the debris. Blow out any pockets or crevices that have debris buildup around the outside of the lock housing assembly (Figure 12).



*Figure 12 Blow Out Excessive Debris*

6. Apply a small amount of dry lubricant into the bottom opening of the lock housing assembly (Figure 13). Use short, controlled bursts and move the lubricant applicator in different angles to coat the cavity. Avoid excessive lubricant on the collars or tubes.



*Figure 13 Apply Lubricant in Short, Controlled Bursts*

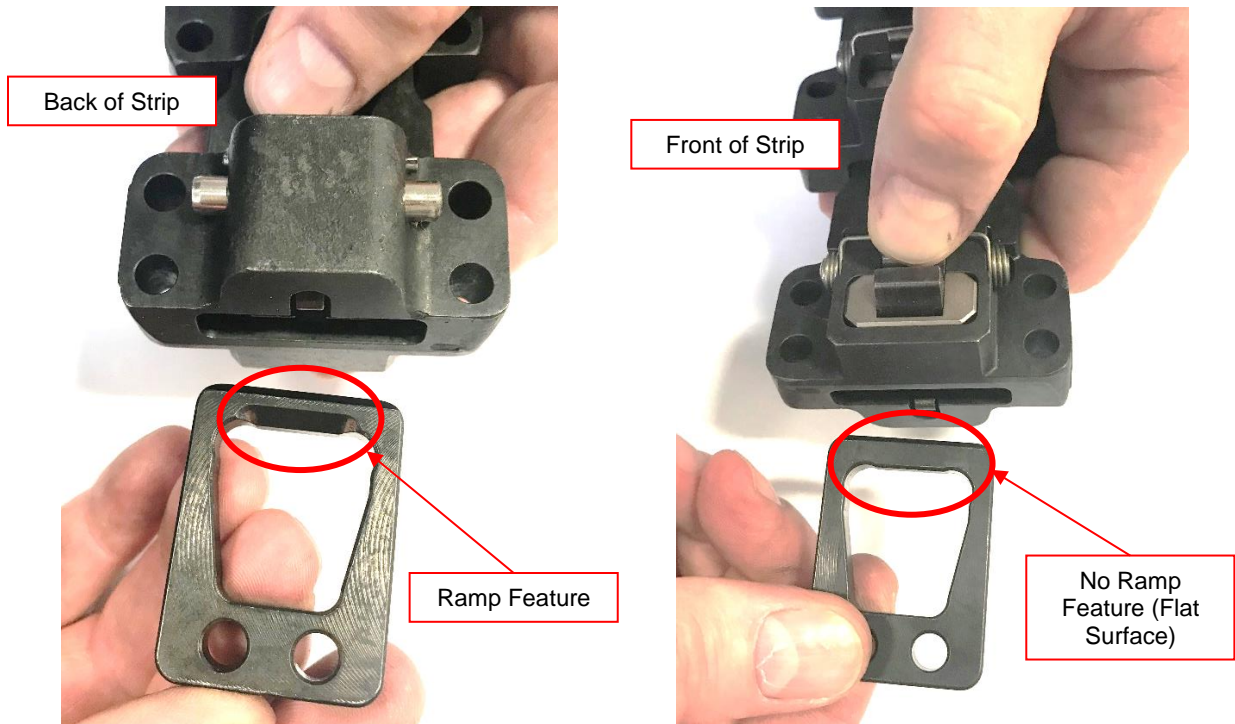
7. Repeat steps 1 through 6 for all locking mechanisms.
8. After all lock housing assemblies have been cleaned, reattach the lock housing assemblies back into one strip.

Note: Ensure the end of the spring is in the corner of the pocket. If it is not in its correct place, use a pick or a screwdriver to push it back into place (Figure 14).



Figure 14 Ensure Corner of Spring is in the Pocket Corner

Note: When reattaching the bottom trigger plate, ensure the ramp feature faces the outside of the lock (will face away from the mast when installed) (Figure 15).



*Figure 15 Ramp Feature Must Face the Back of the Lock Housing Assembly Strip*

9. Reattach the lock housing assembly strip to the nested mast. Apply semi-permanent (blue) thread locker to the threads before installation. Torque the hardware to 80-85 in.-lb. Do not overtighten the screws (Figure 16).



*Figure 16 Reattach Lock Housing Assembly Strip to Mast*

Note: If binding, high current draw, or excessively loud locking/unlocking continues, the locking mechanism must be removed and repaired or replaced by factory trained personnel.

## 5.5 Long-Term Storage

This section describes the best practice for long-term storage (longer than one month) of the Mast System.

**⚠ CAUTION**

**Safety Instruction – Mast Access!** The operator must provide safe means to access the top of the mast during removal of the payload.

When putting the system into long-term storage, ensure the:

- Mast is fully nested
- Payload is removed
- Mast System is clean. Dirt, grease, oil, and debris only serves to collect additional dirt during storage. Use denatured alcohol on all metal surfaces. Use water when cleaning rubber or plastic material. Use soap and water when cleaning the exterior surfaces of the mast tubes. Use a soft, non-abrasive cloth to wipe clean the bezel on the Universal Control Box display.
- Inspect the condition of the mast finish. Look for bare metal, rust, and corrosion.
- Inspect external fasteners. Look for loose, missing, bent, or broken fasteners. Look for chipped paint, bare metal, or rust around the bolt heads. Pay particular attention to the fastener securing the Mast System to the mounting surface, the mast to the Drive Assembly, the Motor to the Drive Assembly, and the payload to the mast.
- Inspect Mast System cables. Look for cracked, frayed, or broken insulation; bare wires; loose or broken connectors. Ensure the cables and bulkhead connectors are clean, the pins undamaged, and the threads in good condition.

Once the Mast System has been inspected and repaired, it should be stored:

- In a clean and dry indoor environment
- Out of direct sunlight
- In the shipping crate. If necessary, replacement shipping crates may be ordered.
- Between 0°C to 32°C (32°F to 90°F)

If the Mast System is stored for a period of time greater than five years, the mast is to be inspected by a factory-trained technician before operation.

## 5.6 Mast System Disposal

Components can be disposed of according to the regulations prevailing in the respective country. Please contact The Will-Burt Company (+1 330 684 4000) with any questions on disposal.

(This page is intentionally left blank.)



## Section 6 Troubleshooting

This section describes troubleshooting for the Mast System. Use care to understand and follow all precautions while troubleshooting the Mast System.

This section provides troubleshooting information as follows:

- Error Conditions (Section 6.1)
- Error (Fault) Codes (Section 6.2)
- Warning Codes (Section 6.2.2)

### 6.1 Error Conditions

Table 6-1 shows many of the more probable error conditions. Where multiple probable causes can explain an error condition, they are listed in order of probability from highest to lowest. It should be noted that some “errors” are more aptly called “states” and do not necessarily indicate improper operation.

Table 6-1 Troubleshooting Error Conditions

Problem	Possible Cause	Possible Solution
<p><b>Precondition Contact Closure Condition</b></p> <p>Provisions have been made for a precondition contact “handshake” circuit. If the circuit is open, the operation of the mast is prevented and the software revision level is shown on the Display. This feature is normally disabled by a jumper installed across the contacts (J1 Pins A,B). The primary application of this capability is a sensor on a hatch above the mast. Correcting the condition will clear this error.</p>	Precondition is not present (i.e. the hatch is closed).	Establish the proper precondition (i.e. open the hatch).
	Damaged/inoperative pre-condition switch.	Check the switch for continuity and replace if necessary.
	Missing connector wire (no handshaking used). (There is not hatch.)	Refer to the wiring schematic (Figure 2-9) for the Universal Control Box, and replace the jumper between the two appropriate contacts.
	Malfunctioning mast control.	Contact an authorized service center for evaluation and possible return for repair.

Continued

Table 7-1 Troubleshooting Continued

Problem	Possible Cause	Possible Solution
<p>The mast has stopped moving upward, or is moving very slowly.</p>	<p>Interference to the mast.</p>	<p>Inspect for and remove obstructions or tangled payload cables, or lighten the payload.</p>
	<p>Damaged Motor and Brake Cable.</p>	<p>Disconnect the Motor and Brake Cable from the mast. Inspect the cable for continuity and shorts. Replace faulty cable.</p>
	<p>Damaged or inoperative Motor.</p>	<p>Replace the Motor</p>
	<p>Malfunctioning Universal Control Box.</p>	<p>Contact authorized service center for evaluation and possible return for repair.</p>
	<p>Extension Nuts fail to synchronize with Drive Screw.</p>	<p>Try retracting the mast 76 mm (3 inches) and approach that region again. If this does not work, the Extension Nuts may be worn out and will need to be replaced.</p>
		<p>Try raising the mast with the Crank Handle Assembly. There may be a burr on the Extension Nut and action with the Crank Handle Assembly, which is not limited by the torque limits of the Motor, may power through it. Do not apply in excess of 50 lb.-ft. (68 N-m) when using the Crank Handle Assembly. If this does not work, the Extension Nuts may be worn out and will need to be replaced.</p>

Continued

Table 7-1 Troubleshooting Continued

Problem	Possible Cause	Possible Solution
The mast has stopped moving downward.	Damaged Motor and Brake Cable.	Disconnect the Motor and Brake Cable from the mast. Inspect the cable for continuity and shorts. Replace faulty cable.
	Damaged or inoperative Motor.	Replace the Motor.
	Malfunctioning Universal Control Box.	Contact authorized service center for evaluation and possible return for repair.
	Extension Nuts fail to synchronize with Drive Screw.	
		Try lowering the mast with the Crank Handle Assembly. There may be a burr on the Extension Nut and action with the crank assembly, which is not limited by the torque limits of the Motor, may power through it. If this does not work, the Extension Nuts may be worn out and will need to be replaced.

Continued

Table 7-1 Troubleshooting Continued

Problem	Possible Cause	Possible Solution
Nothing works and the Display does not light.	Power to the mast is interrupted at the shelter or vehicle level.	Refer to shelter or vehicle level maintenance procedures.
	The Universal Control Box Circuit Breaker is tripped.	The internal circuit breaker in the Universal Control Box is an auto-resettable thermal breaker which will reset once it cools. The circuit breaker tripping is an indication that the mast is pulling higher amperage than anticipated and this should be investigated before trying to further run the mast.

For additional information, please contact Will-Burt Customer Service at 330-684-5298.

## 6.2 Error (Fault) and Warning Codes

This section describes error (fault) codes and warning codes. Error (fault) Codes and Warning Codes will display on the Universal Control Box. If SCRAM (Section 1.7.3) is used, they will also appear on the SCRAM GUI.

If multiple errors occur, the Universal Control Box will display combined error codes.

For example:

- If error 0001 and error 0010 both occur, the error will display as 0011
- If error 0100 and error 0200 both occur, the error will display as 0300

The same principle should hold true for warnings. When errors and warnings both occur, only the errors will show until the errors are cleared.

### 6.2.1 Error (Fault) Codes

Table 6-2 shows error (fault) codes that may appear on the Control Box Display. Reoccurrence of error codes is possible if trigger conditions are met.

Table 6-2 Error (Fault) Codes

Error Code	Trigger Condition	System Response	Latch Until	Possible Cause
0001	System voltage drops below 17 VDC for 5 consecutive seconds	<p><b>Excessive Low Volts Fault (ERR 0001):</b></p> <p>Disable all normal output functions. If the OVERRIDE Switch is activated while this fault is active, re-enable all outputs.</p> <p><b>CAUTION:</b></p> <p>Avoid unnecessary attempts to operate the mast at excessive low voltage levels to prevent system damage.</p> <p><b>NOTICE:</b></p> <p>Even though outputs are enabled, the mast may not be able to move due to the low system voltage.</p>	<ul style="list-style-type: none"> <li>• System is above 18 volts and no Up/Down inputs are active</li> <li>- or -</li> <li>• System power is cycled and is above 18 volts</li> </ul>	<ul style="list-style-type: none"> <li>• Excessive battery drain without sufficient charge current/time</li> <li>• Excessive Motor current due to mast resistance, excessive payload, or drive chain binding</li> <li>• Insufficient power supply</li> <li>• Too long/undersized power supply line (mains)</li> </ul>
0002	Control Box detects 80 Amps for more than 5 seconds	<p><b>Excessive Motor Current Fault (ERR 0002):</b></p> <p>Disable the Motor Outputs.</p>	<ul style="list-style-type: none"> <li>• 5 OVERRIDE Switch activations within 3 seconds</li> <li>- or -</li> <li>• System power is cycled and trigger conditions cleared</li> </ul>	<ul style="list-style-type: none"> <li>• Excessive Motor current due to mast resistance, excessive payload, or drive system binding</li> </ul>

Continued

Table 7-2 Error (Fault) Codes Continued

Error Code	Trigger Condition	System Response	Latch Until	Possible Cause
0004	Local Up Switch active for excessive time period	<b>Local Up Switch Stuck Fault (ERR 0004):</b> Ignore the Local Up input, except when the OVERRIDE Switch is active.	<ul style="list-style-type: none"> <li>Local Up Switch is no longer active</li> <li>- or -</li> <li>System power is cycled and trigger conditions cleared</li> </ul>	<ul style="list-style-type: none"> <li>Switch is being held on</li> <li>Switch is damaged</li> <li>Water ingress may be activating switch input</li> <li>Cable or connection failure</li> </ul>
0008	Remote Up Switch active for excessive time period	<b>Remote Up Switch Stuck Fault (ERR 0008):</b> Ignore Remote Up switch, except when the OVERRIDE Switch is active.	<ul style="list-style-type: none"> <li>Remote Up Switch is no longer active</li> <li>- or -</li> <li>System power is cycled and trigger conditions cleared</li> </ul>	<ul style="list-style-type: none"> <li>Switch is being held on</li> <li>Switch is damaged</li> <li>Water ingress may be activating switch input</li> <li>Cable or connection failure</li> </ul>
0010	Local Down Switch active for excessive time period	<b>Local Down Switch Stuck Fault (ERR 0010):</b> Ignore the Local Down input, except when the OVERRIDE Switch is active.	<ul style="list-style-type: none"> <li>Local Down Switch is no longer active</li> <li>- or -</li> <li>System power is cycled and trigger conditions cleared</li> </ul>	<ul style="list-style-type: none"> <li>Switch is being held on</li> <li>Switch is damaged</li> <li>Water ingress may be activating switch input</li> <li>Cable or connection failure</li> </ul>
0020	Remote Down Switch active for excessive time period	<b>Remote Down Switch Stuck Fault (ERR 0020):</b> Ignore Remote Up Switch, except when the OVERRIDE Switch is active.	<ul style="list-style-type: none"> <li>Remote Down Switch is no longer active</li> <li>- or -</li> <li>System power is cycled and trigger conditions cleared</li> </ul>	<ul style="list-style-type: none"> <li>Switch is being held on</li> <li>Switch is damaged</li> <li>Water ingress may be activating switch input</li> <li>Cable or connection failure</li> </ul>

Continued

Table 7-2 Error (Fault) Codes Continued

Error Code	Trigger Condition	System Response	Latch Until	Possible Cause
0040	From Nested position, Up Switch active for more than 2 seconds with no Down limit switch change	<p><b>Down Limit Switch Failed/Stuck Fault (ERR 0040):</b></p> <p>Disable the Motor Outputs unless the OVERRIDE Switch is also active.</p> <p>Can occur on combination with ERR 0001 or ERR 0002; indicated as ERR 0041 or ERR 0042.</p>	<ul style="list-style-type: none"> <li>• 5 OVERRIDE Switch activations within 3 seconds</li> <li>- or -</li> <li>• System power is cycled and trigger conditions cleared</li> </ul>	<ul style="list-style-type: none"> <li>• Switch requires adjustment or recalibration</li> <li>• Switch failed and requires replacement</li> <li>• Drive system damaged</li> </ul>
0080	From Fully deployed position, Down Switch active for more than 2 seconds with no Up limit switch change	<p><b>Up Limit Switch Failed/Stuck Fault (ERR 0080):</b></p> <p>Disable the Motor Outputs unless the OVERRIDE Switch is also active.</p> <p>Can occur on combination with ERR 0001 or ERR 0002; indicated as ERR 0081 or ERR 0082.</p>	<ul style="list-style-type: none"> <li>• 5 OVERRIDE Switch activations within 3 seconds</li> <li>- or -</li> <li>• System power is cycled and trigger conditions cleared</li> </ul>	<ul style="list-style-type: none"> <li>• Switch requires adjustment or recalibration</li> <li>• Switch failed and requires replacement</li> <li>• Drive system damaged</li> </ul>
0100	OVERRIDE Switch has been active for an excessive time period	<p><b>Override Switch Stuck Fault (ERR 0100):</b></p> <p>Ignore OVERRIDE Switch input.</p> <p>Note: This fault cannot be overridden.</p>	<ul style="list-style-type: none"> <li>• OVERRIDE Switch is no longer active</li> <li>- or -</li> <li>• System power is cycled and trigger conditions cleared</li> </ul>	<ul style="list-style-type: none"> <li>• Switch is being held on</li> <li>• Switch is damaged</li> <li>• Water ingress may be activating switch input</li> </ul>
0200	Up and Down Limit Switches are active at the same time (not physically possible)	<p><b>Conflicting Up/Down Limit Switch Fault (ERR 0200):</b></p> <p>Disable the Motor Outputs unless the Override Switch is also active</p>	<ul style="list-style-type: none"> <li>• Either switch is no longer active</li> <li>- or -</li> <li>• System power is cycled and trigger conditions cleared</li> </ul>	<ul style="list-style-type: none"> <li>• Switch(es) require adjustment or recalibration</li> <li>• Switch(es) failed and require replacement(s)</li> <li>• Cable or connection failure</li> </ul>

Continued

Table 7-2 Error (Fault) Codes Continued

Error Code	Trigger Condition	System Response	Latch Until	Possible Cause
1000	CAN Output Buffer Overflow	<b>CAN Output Buffer Overflow (ERR 1000):</b>  CAN bus failure. Check CAN bus connections.	<ul style="list-style-type: none"> <li>System power is cycled and trigger conditions cleared</li> </ul>	CAN Bus cannot be written to as queued information has not been sent.
2000	CAN Input Buffer Overflow	<b>CAN Input Buffer Overflow (ERR 2000):</b>  CAN bus failure. Check CAN bus connections.	<ul style="list-style-type: none"> <li>System power is cycled and trigger conditions cleared</li> </ul>	External source has written CAN buffer and we have not retrieved the data, so currently incoming CAN data cannot be received.
8000	Firmware Error	<b>User Input Error (ERR 8000):</b>  Refer to product documentation for valid commands.	<ul style="list-style-type: none"> <li>5 OVERRIDE Switch activations within 3 seconds - or -</li> <li>System power is cycled and trigger conditions cleared</li> </ul>	<ul style="list-style-type: none"> <li>Erroneous user input in the text user interface during debug mode.</li> </ul>
L.S. ERR (Legacy)	Both Limit Switches are seen as active.	<b>Limit Switch Error</b>  Disable the Motor Outputs unless the OVERRIDE Switch is also active.	<ul style="list-style-type: none"> <li>Cannot be cleared until the condition causing the error is fixed. Use the OVERRIDE Switch for emergency operation.</li> </ul>	<ul style="list-style-type: none"> <li>If the mast is nested, a magnet may be near the extended limit switch.</li> <li>If the mast is extended, a magnet may be near the nested limit switch.</li> <li>Wiring damage</li> <li>Connector damage</li> <li>Switch damage</li> </ul>



## 6.2.2 Warning Codes

Table 6-3 shows warning codes that may appear on the Universal Control Box Display. Reoccurrence of warning codes is possible if trigger conditions are met.

Table 6-3 Warning Codes

Warning Code	Trigger Condition	System Response	Latch Until	Possible Cause
0001	Both Up and Down switches detected simultaneously. (Local and Remote switches conflict)	<b>Conflicting Mast Up/Mast Down Switch Commands Warning (WRN 0001):</b> Disable the Motor Outputs unless the OVERRIDE Switch is also active.	<ul style="list-style-type: none"> <li>One or both of the conflicting switch inputs are no longer active</li> <li>- or -</li> <li>System power is cycled and trigger conditions cleared</li> </ul>	<ul style="list-style-type: none"> <li>One or both Switch(es) are being held on</li> <li>One or more Switch(es) are damaged</li> <li>Water ingress may be activating switch input(s)</li> <li>Cable or connection failure</li> </ul>
0002	System voltage has dropped below 20 VDC for 5 consecutive seconds. (Remaining above 18 VDC)	<b>Low Volts Warning (WRN 0002):</b> Allow all mast normal functions.	<ul style="list-style-type: none"> <li>System voltage reaches 21 VDC for 5 consecutive seconds.</li> <li>- or -</li> <li>System power is cycled and trigger conditions cleared</li> </ul>	<ul style="list-style-type: none"> <li>Excessive battery drain without sufficient charge current/time</li> <li>High Motor current due to mast resistance or large payload</li> </ul>

Continued

Table 7-3 Warning Codes Continued

Warning Code	Trigger Condition	System Response	Latch Until	Possible Cause
0004	Temperature Sensor reading above 80°C	<b>High Temperature Warning (WRN 0004):</b> Allow all normal mast functions.	<ul style="list-style-type: none"> <li>• Temperature reading is below 78°C</li> <li style="text-align: center;">- or -</li> <li>• 5 OVERRIDE Switch activations within 3 seconds</li> <li style="text-align: center;">- or -</li> <li>• System power is cycled and trigger conditions cleared</li> </ul>	<ul style="list-style-type: none"> <li>• High ambient temperature (direct sunlight)</li> </ul>
0008	Temperature Sensor reading below -40°C	<b>Low Temperature Warning (WRN 0008):</b> Allow all normal mast functions.	<ul style="list-style-type: none"> <li>• Temperature reading is above -38°C</li> <li style="text-align: center;">- or -</li> <li>• 5 OVERRIDE Switch activations within 3 seconds</li> <li style="text-align: center;">- or -</li> <li>• System power is cycled and trigger conditions cleared</li> </ul>	<ul style="list-style-type: none"> <li>• Low ambient temperature</li> </ul>

Continued

Table 7-3 Warning Codes Continued

Warning Code	Trigger Condition	System Response	Latch Until	Possible Cause
0010	Invalid (or no) response from Temperature Sensor	<p><b>Temperature Sensor Failure Warning (WRN 0010):</b></p> <p>Allow all normal mast functions</p>	<ul style="list-style-type: none"> <li>Valid temperature reading received - or -</li> <li>5 OVERRIDE Switch activations within 3 seconds - or -</li> <li>System power is cycled and trigger conditions cleared</li> </ul>	<ul style="list-style-type: none"> <li>Temperature Sensor failed and requires replacement</li> <li>Temperature Sensor Wiring damaged and requires repairs or replacement</li> </ul>
0020	Pulses not detected during mast positioning	<p><b>Pulse Counter Warning (W0020):</b></p> <p>Allow all normal mast functions.</p> <p><b>NOTICE:</b></p> <p>Mast height readout will be inaccurate.</p>	<ul style="list-style-type: none"> <li>Valid pulse count detected</li> <li>5 override switch activations within 3 seconds</li> <li>System power is cycled and trigger conditions cleared</li> </ul>	<ul style="list-style-type: none"> <li>Pulse counter requires adjustment or recalibration</li> <li>Pulse counter failed and requires replacement</li> <li>Pulse counter wiring damaged and requires repairs or replacement</li> </ul>

Continued

Table 7-3 Warning Codes Continued

Warning Code	Trigger Condition	System Response	Latch Until	Possible Cause
0040 (Legacy)	Extend/Retract movement (50 mm) not detected after 2 seconds of continuous extend/retract command	<p><b>String Potentiometer Failure Warning (WRN 0040):</b></p> <p>Allow all normal mast functions.</p> <p><b>NOTICE:</b></p> <p>Mast height readout will be inaccurate.</p>	<ul style="list-style-type: none"> <li>Valid signal detected - or -</li> <li>5 OVERRIDE Switch activations within 3 seconds - or -</li> <li>System power is cycled and trigger conditions cleared</li> </ul>	<ul style="list-style-type: none"> <li>If seen in current control boxes, it likely means the DIP switches in the circuit board are set incorrectly. - Legacy -</li> <li>Potentiometer requires adjustment or recalibration</li> <li>Potentiometer failed and requires replacement</li> <li>Potentiometer wiring damaged and requires repairs or replacement</li> </ul>
0080 (Legacy)	Extend/Retract movement (50 mm) not detected after 2 seconds of continuous extend/retract command	<p><b>Encoder Failure Warning (WRN 0080):</b></p> <p>Allow all normal mast functions.</p> <p><b>NOTICE:</b></p> <p>Mast height readout will be inaccurate.</p>	<ul style="list-style-type: none"> <li>Valid signal detected - or -</li> <li>5 OVERRIDE Switch activations within 3 seconds - or -</li> <li>System power is cycled and trigger conditions cleared</li> </ul>	<ul style="list-style-type: none"> <li>If seen in current control boxes, it likes means the DIP switches in the circuit board are set incorrectly. - Legacy -</li> <li>Encoder requires adjustment or recalibration</li> <li>Encoder failed and requires replacement</li> <li>Encoder wiring damaged and requires repairs or replacement</li> </ul>

## Section 7 Reference

This section provides reference information for the system as follows:

- Extended Glossary of Terms (Section 7.1)
- Guying (Section 7.2)
- Drawings (Section 7.3)

### 7.1 Extended Glossary of Terms

This section defines terms used within this manual as follows:

- General Terms and Abbreviations (Section 7.1.1)
- Mounting Position Terms (Section 7.1.2)

#### 7.1.1 General Terms and Abbreviations

This section describes general terms and abbreviations used within this manual.

- “Amp” stands for ampere which is a unit of electric current
- “Base Tube” refers to the tube with the largest diameter. When the mast is fully extended, this is the tube closest to the mounting surface.
- “CD” stands for coefficient of drag.
- “Collars” attach to the top of each tube except the Top Tube.
- “EMC” stands for electromagnetic compatibility.
- “EMI” stands for electromagnetic interference.
- “Extended” refers to the partial- or full-raised position of the mast that the mast mechanically goes to from the nested position. In the extended position, some or all the tubes have risen.
- “ID” stands for Inside Diameter or the diameter to the inside edge of a circle
- “in.-lb.” stands for inch-pounds, which is a unit of torque equal to the force in pounds multiplied by the distance in inches to the pivot point
- “Intermediate Tubes” refer to the tubes between the Base Tube and the Top Tube.
- “lb.-ft.” stands for pounds-feet, which is a unit of torque equal to the force in pounds multiplied by the distance in feet to the pivot point
- “Mast” to refer to the mechanical telescoping mast
- “Mast System” to refer to the entire Stiletto AL Mast System (Telescoping Mast, Universal Control System, and additional accessories)

- “MOSFET” stands for metal-oxide semiconductor field-effect transistor.
- “NEMA 4X” refers to watertight enclosures as defined by the National Electrical Manufacturers Association.
- “Nested” refers to the position of the mast were no tubes have risen. The mast remains retracted. This position is sometimes referred to as “stowed”.
- “NPT” stands for “American National Standard Pipe Thread” or “National Pipe Thread” for short; a United States standard for thread specifications on pipes and fittings. NPT threads are tapered.
- “N-m” standards for Newton Meters, which is a unit of torque equal to the force of one newton applied perpendicularly to a moment arm which is one meter long
- “OD” stands for Outside Diameter or the diameter to the outside edge of a circle
- “Payload” to refer to the object or equipment being raised by the mast to an operational height
- “P/N” stands for Part Number. These are Will-Burt part numbers for various components in the Mast System.
- “Top Tube” refers to the tube with the smallest diameter. When the mast is fully extended, this is the tube furthest from the mounting surface.
- “Ø” stands for diameter

### **7.1.2 Mounting Position Terms**

For the purposes of this manual, regions of the mounting location are defined as follows:

- “Mounting Structure” is the overall structure where the Mast System is mounted.
- “Mounting Surface” is the surface to which the base of the mast is secured.
- “Support Structure” is the vertical surface to which the Support Bracket Assembly is secured.

## 7.2 Guying

Stiletto AL masts are not typically guyed, however light guying is possible and can help with deflection. Only one level of guying is recommended.

In general, to guy the mast:

1. Prepare the Mast System for Operation (Section 3).
2. Secure the payload to the mast.
3. Attach the Guy Lines to the mast ensuring the Guy Lines do not interfere with any payload cables or intermediate payloads.
4. Prior to extending the mast, Will-Burt recommends laying out any Guy Lines so they do not become tangled during extension (Figure 7-1).

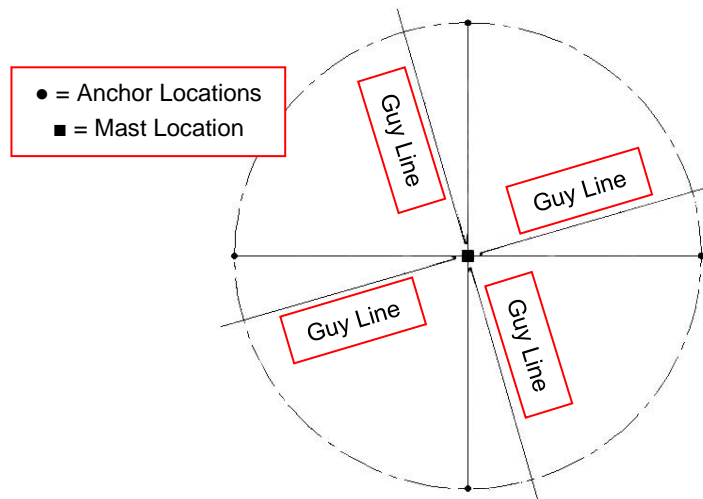


Figure 7-1 Lay Out Guy Lines

5. Extend the mast (Section 3).
6. Properly secure and tension the Guy Lines immediately after raising the mast. The installer shall verify the Guy Anchor point strength is adequate to support the Guy Line forces. All Guy Lines should be equally tensioned. Beginning at two locations opposite each other, gradually tension each Guy Line. Vertical alignment of the mast is accomplished by observing the mast perpendicularly to the two Guy Lines being tensioned to ensure the mast is standing straight and is not bending too far towards one side. Adjust the appropriate Guy Line as necessary to keep the mast plumb vertically. Check periodically.

## 7.3 Drawings

Refer to [www.willburt.com](http://www.willburt.com) for drawings of your Mast System.

(This page is intentionally left blank.)