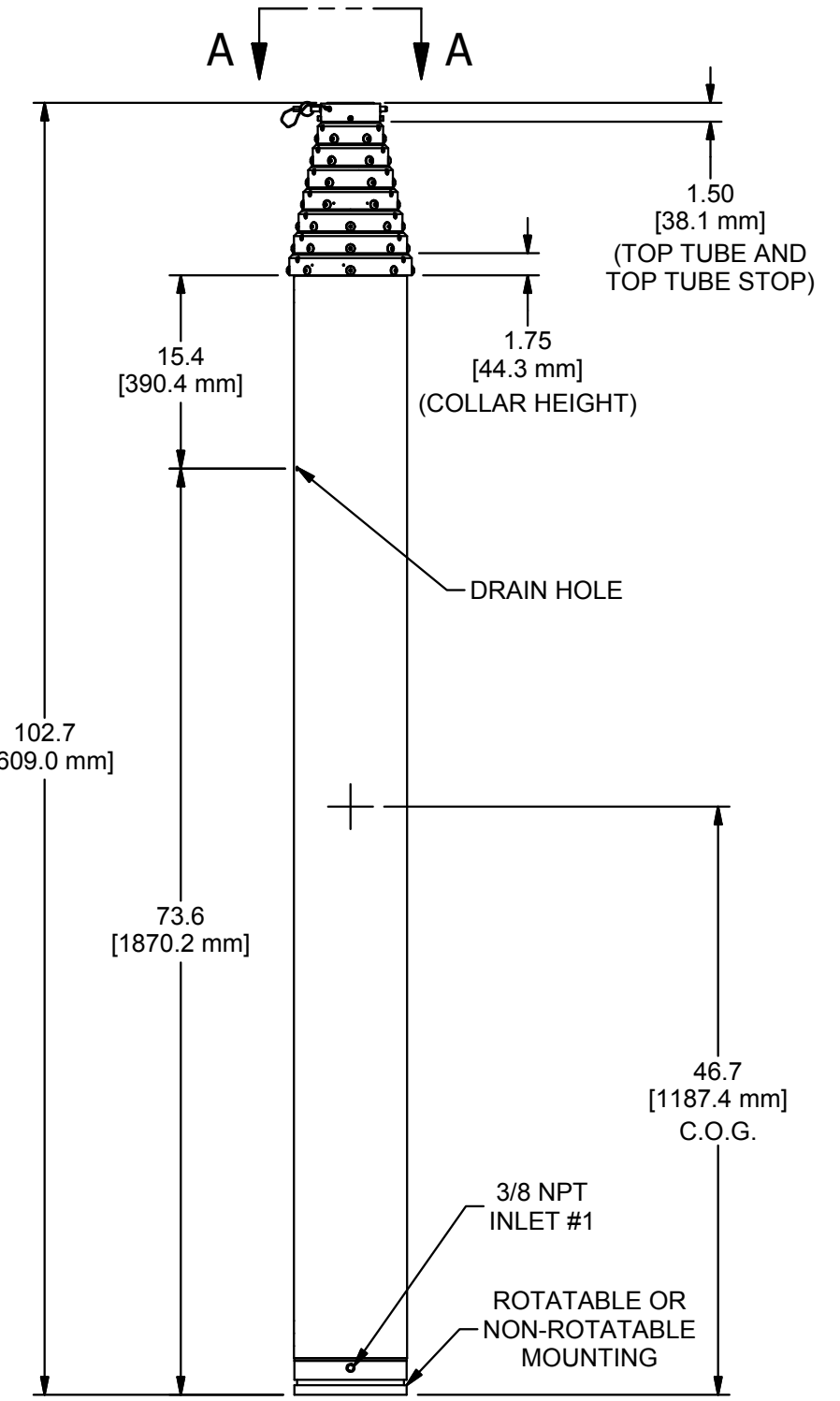
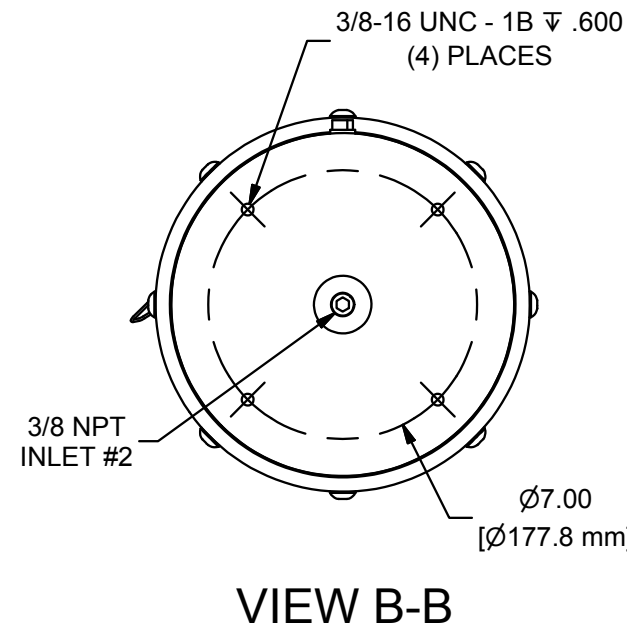
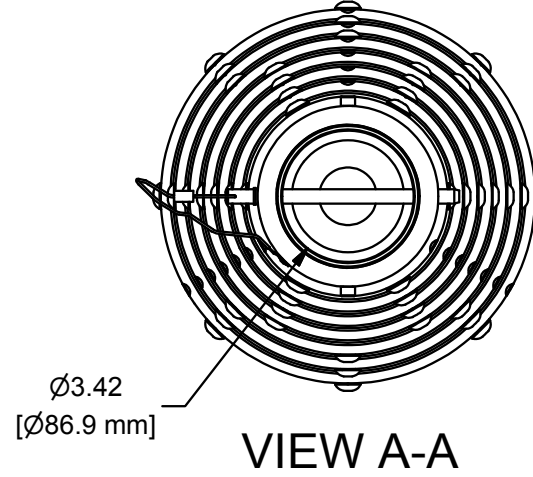


8.5-48 HEAVY DUTY NON-LOCKING MAST



1 ALL DIMENSIONS APPLY WITHOUT MOUNTING ACCESSORIES.

FINISH TABLE	
PART NUMBER	FINISH
906215	CLEAR ANODIZE
906938	HARD COAT W/ TEFLON

MATERIAL:	PROPRIETARY AND CONFIDENTIAL THE INFORMATION CONTAINED IN THIS DRAWING IS THE SOLE PROPERTY OF THE WILL-BURT COMPANY ANY REPRODUCTION IN PART OR WHOLE WITHOUT THE WRITTEN PERMISSION OF THE WILL-BURT COMPANY IS PROHIBITED.			AN EMPLOYEE OWNED COMPANY ORRVILLE, OH
FINISH:	SEE FINISH TABLE			
SEE FINISH TABLE	UNLESS OTHERWISE SPECIFIED DIMENSIONS ARE IN INCHES		TITLE: PNEU MAST 8.5-48 HDNL CUSTOMER DRAWING	
DRAWING NOT TO SCALE	THIRD ANGLE PROJECTION		P/N: SEE TABLE	DATE: 3/24/2017
ALL DIMENSIONS AND PERFORMANCE PARAMETERS ARE PROVIDED FOR REFERENCE ONLY AND ARE SUBJECT TO CHANGE WITHOUT NOTICE.		APPROXIMATE WEIGHT: 275 LB [125 KG]		TUBE SET: Ø3.75"-Ø9.00"
				DRAWN BY: CJY
				REV J

