



RAPID RESPONSE MOBILE TOWER AND MAST SOLUTIONS





Steel Telescoping Tower
Integrated Trailer System

Page 4



Telescoping Pneumatic Mast
Integrated Trailer System

Page 10



Aluminum Telescoping Tower
Integrated Trailer System

Page 24

WILL-BURT INTEGRATION & ELEVATION SYSTEMS

Extended Heights up to 130 ft. | Payload Capacity up to 1,200 lb

The Will-Burt Company, with the acquisition of Aluma Tower and Integrated Tower Systems [ITS] now offers integrated Telescoping Steel and Aluminum Tower Systems AND Telescoping Mast Systems - an elevation solution for every need! Will-Burt is a global leader in the design, manufacture, sales and rental of an extensive and affordable line of rapid-deployment Mobile Tower & Mast Systems; Tower & Mast Integrated Trailers, Trucks, Communication-Site-on-Wheels (COWs), and Mast-, Satellite- and Tower-Integrated Mobile Command and Communication Centers. This state-of-the-art equipment is designed specifically to support a global contingent of clientele representing the following industries:

- Telecommunications, Infrastructure Development / Restoration; Tower Owners/Operators Multi-media, Broadcasting
- First Responder, Public Safety and Emergency Management; Law Enforcement, Incident Command, Search & Rescue
- National Security / Homeland Defense, Domestic & Foreign Military Initiatives; Tactical, Support Functions, and Counter UAS
- Border Security, Immigration and Customs Enforcement; Disaster Preparedness/Emergency Response
- Geophysical, Oil & Gas and Alternative Energy; Meteorological, Frequency and Weapon Systems Testing
- Transportation, Aviation, Aerospace and Construction; Entertainment, Logistics, Engineering, Municipal & Corporate Programs
- Global Support of Special Events; Political, Commercial, Industrial, Sporting, Civic and Numerous other Industries



Will-Burt's innovative rapid response systems are manufactured to both civilian and military specifications and built to withstand many of the world's most demanding environments. Will-Burt controls every aspect of manufacture and assembly through an ISO 9001:2015 certified quality management system in all manufacturing locations. Will-Burt's engineering expertise and vertical integration capabilities allows for efficient COTS products and unique custom designs for the seamless installation of common or client-specific technologies, or pre-integrated with a Will-Burt or client-furnished Communications, Surveillance, or Counter UAS Solutions.



Will-Burt's rapidly deployed systems are proven key components in establishing the flow of vital information from remote and urban areas of need.

COMMON USES

- Broadcast
- Lighting
- Disaster Recovery / Emergency Response
- Border Security
- Surveillance
- Remote Communications Site Security
- Sensor Applications
- Systems Testing
- Energy Exploration / Production Sites
- Telecommunications
- Temporary Cell Site
- Lightning Protection
- Counter UAS



INTEGRATED TELESCOPING STEEL TOWER SYSTEMS

Extended Heights up to 130 ft. | Payload Capacity up to 625 lb



Rapid Deployment Mobile Elevation Systems with Steel Telescoping Towers

Our rapid deployment mobile elevation systems, equipped with steel telescoping towers, have established a reputation for strength and durability worldwide. These robust towers can be designed as freestanding (unguyed) systems or guyed for additional stability when required.

- Automatic Locking Mechanism
 - Each section locks automatically upon deployment, ensuring safe and consistent elevation for extended periods
- Versatile Tilt Systems
 - We offer a variety of tilt systems to meet specific mission requirements. Short tilt systems facilitate air transport of trailer systems, while tall tilt systems provide tower clearance over shelters or equipment stored on the trailer deck
- Customizable Trailer Types
 - Our steel towers can be paired with trailer types tailored to your specifications, ranging from commercial to military-grade
- Comprehensive Power Systems, Cabinets, and Shelters
 - We provide a range of power systems, cabinets, and shelters to meet your specific needs





Self-Support & Guyed Heights [ft. / m]

38 / 11.6 | 55 / 16.8 | 72 / 21.9 | 89 / 27.1 | 106 / 32.3 | 120 / 36.6 | 130 / 39.6

Standard Payload Capacity [lb / kg]: up to 550 / 250

Upgraded Payload Capacity [lb / kg]: up to 625 / 284

Unguyed & Guyed Heights [ft. / m]

38 / 11.6	55 / 16.8	72 / 21.9	89 / 27.1	106 / 32.3	120 / 36.6	130 / 39.6
-----------	-----------	-----------	-----------	------------	------------	------------

Tower Payload Capacity [lb / kg]

Standard Payloads: Up to: 550 / 250	Upgraded Payloads: Up to: 625 / 284
-------------------------------------	-------------------------------------

Flexi-Fleet rental tower and mast systems are ready for deployment in case of emergencies

Representative Sample - Contact Will-Burt for Additional Options

SR SERIES – MOBILE TOWER TRAILER [Multiterrain Configuration]



SRS SERIES – MOBILE TOWER TRAILER [Commercial Configuration]



SRS-C SERIES – PORTABLE TOWER TRAILER

[Commercial Configuration]



IT SERIES – MOBILE TOWER TRAILER

[Urban Configuration]



NC/SR SERIES – COMMUNICATION-SITE-ON-WHEELS (COW) TOWER TRAILER



SC SERIES – COMMUNICATIONSITE-ON-WHEELS (COW)



TMT SERIES – TRUCK MOUNTED TOWER SYSTEM



SKD SERIES – SKID MOUNTED





INTEGRATED TELESCOPING MAST SYSTEMS

Self-Support & Guyed Heights [ft. / m]: Ranges 30 / 9 to 80 / 24

Tower Payload Capacity [lb / kg]: up to 1,200 / 544

Rapid Deployment Systems with Mechanical and Pneumatic Telescopic Mast Systems by Will-Burt

Will-Burt's mechanical and pneumatic telescopic mast systems combine powerful lifting capabilities with a lightweight design, offering the best of both worlds. Our rapid deployment mobile elevation systems have been utilized globally in both commercial and defense applications.

- Innovative Mast Key and Keyway Design
 - This design minimizes mast twist, ensuring sensors operate at their maximum potential
- No Guying Required
 - Most of our mast systems do not require guying and can lift the rated payload without additional equipment, facilitating simple and fast deployment
- Versatile Tilt Systems
 - We offer a variety of tilt systems to meet specific mission requirements. Short tilt systems enable air transport of trailer systems, while tall tilt systems provide tower clearance over shelters or equipment stored on the trailer deck
- Diverse Trailer Types
 - Available from commercial to military-grade
- Comprehensive Power Systems, Cabinets, and Shelters
 - We provide a range of power systems, cabinets, and shelters tailored to your specifications





Unguyed & Guyed Heights [ft. / m]	Tower Payload Capacity [lb / kg]
Ranges: 30 / 9 to 80 / 24	Up to: 1,200 / 544

**Flexi-Fleet rental tower and mast systems are ready for deployment in case of emergencies
Representative Sample - Contact Will-Burt for Additional Options**



ULTRA MAST – INTEGRATED COMMUNICATIONS SYSTEM



SRS-M SERIES - TRAILER MOUNTED MAST [Heavy-Duty and Customized]



RD-S SERIES – TRAILER MOUNTED MAST

[Multiterrain Configuration – Single Axle]



RD-T SERIES – TRAILER MOUNTED MAST

[Multiterrain Configuration – Tandem Axle]



LC SERIES – TRAILER MOUNTED MAST

[Urban Configuration – Single Axle]



MT SERIES – TRAILER MOUNTED MAST

[Urban Configuration – Tandem Axle]



COW SERIES – TRAILER MOUNTED MAST

[Vertical Mast Installation]



SKD SERIES – PLATFORM MOUNTED MAST



RD-S: SINGLE AXLE

[AMTS / CES / Upright]

Dimensions L x W x H [in. / mm]

Trailer Deck:
166 x 85 x 34 / 4216 x 2159 x 864

Outriggers Extended:
166 x 203 x 34 / 4216 x 5157 x 864

Weight [lb / kg]

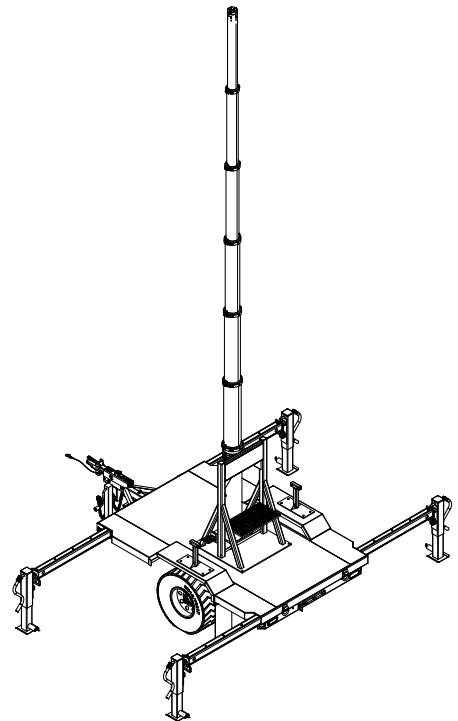
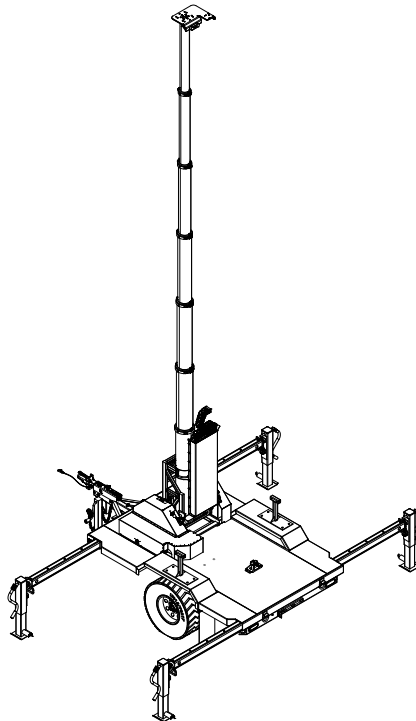
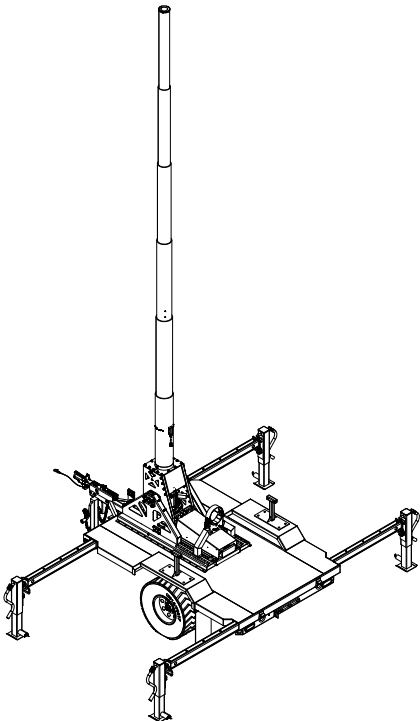
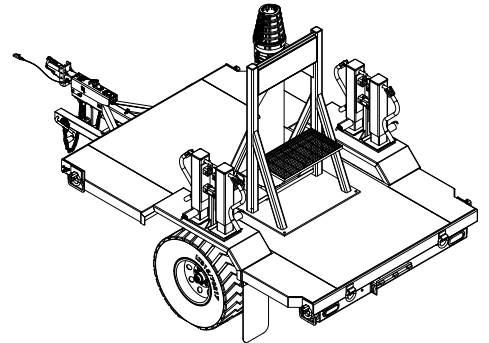
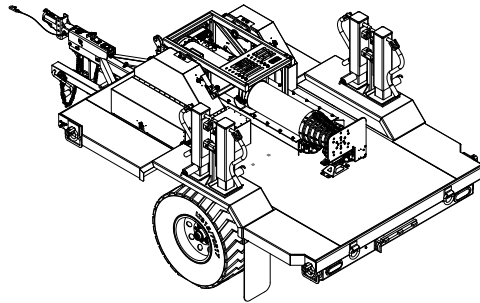
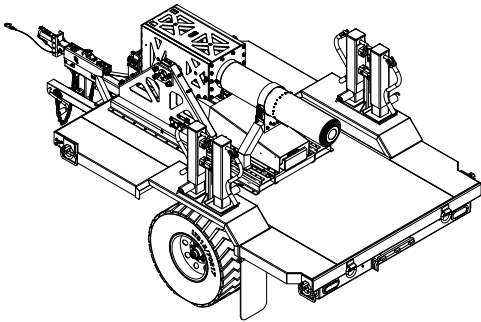
Trailer: 2,675 / 1214

Trailer GVWR: 6,000 / 2722

RD-S Trailer [AMTS]
8.54m Stiletto AL HD

RD-S Trailer [CES]
8.54m Stiletto AL

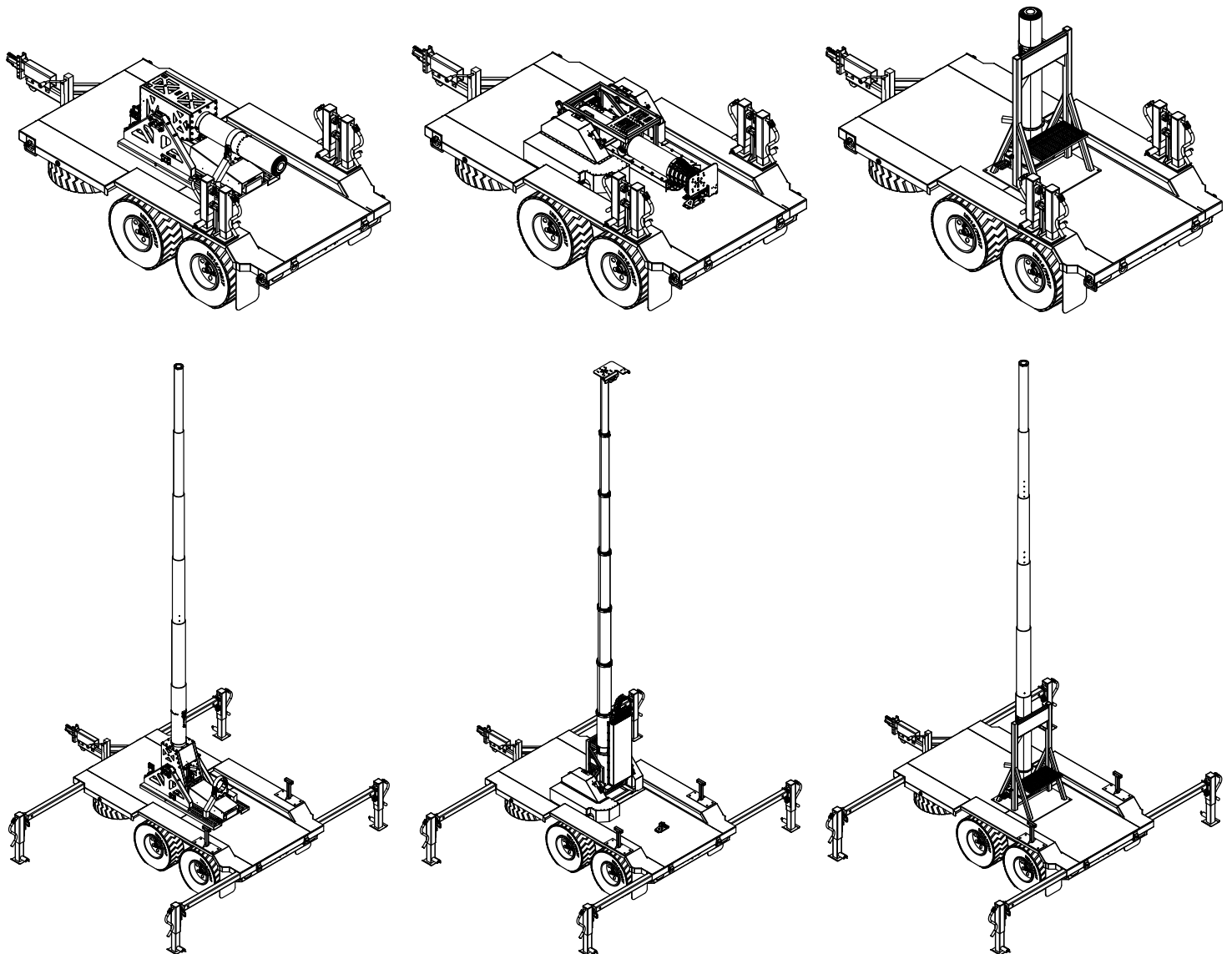
RD-S Trailer [Upright]
8.54m Stiletto AL



RD-T: TANDEM AXLE

[AMTS / CES / Upright]

Dimensions L x W x H [in. / mm]		
Trailer Deck: 203 x 85 x 33 / 5157 x 2159 x 839	Outriggers Extended: 203 x 201 x 33 / 5157 x 2159 x 839	
Weight [lb / kg]		
Trailer: 3,505 / 1590	Trailer GVWR: 12,000 / 5443	
RD-T Trailer [AMTS] 8.54m Stiletto AL HD	RD-T Trailer [CES] 8.54m Stiletto AL	RD-T Trailer [Upright] 8.54m Stiletto AL HD



RD-T XL: TANDEM AXLE

[AMTS / CES / Upright]

Dimensions L x W x H [in. / mm]

Trailer Deck:
262 x 85 x 33 / 6655 x 5106 x 839

Outriggers Extended:
262 x 201 x 33 / 6655 x 5106 x 839

Weight [lb / kg]

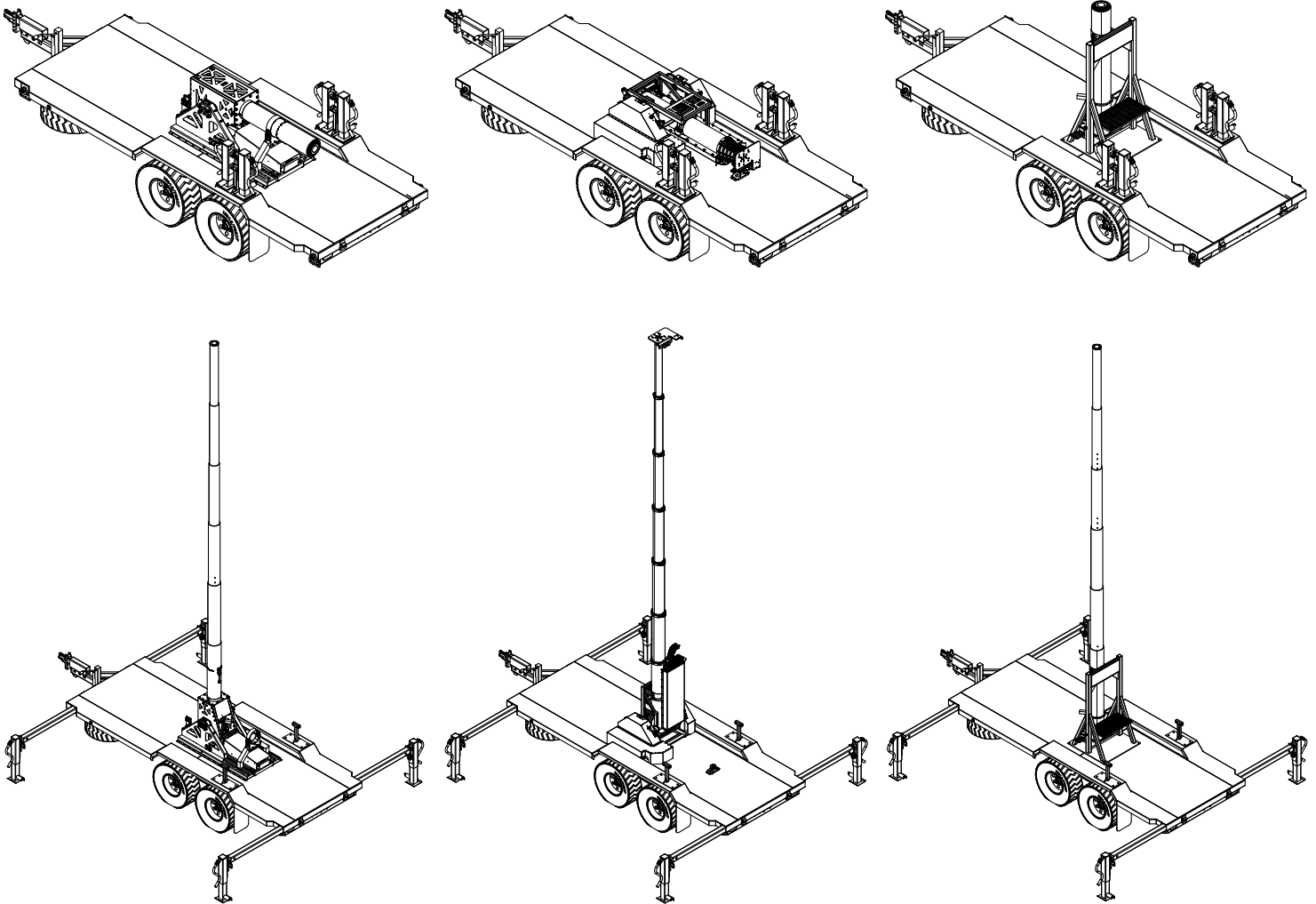
Trailer: 3,613 / 1639

Trailer GVWR: 12,000 / 5443

RD-T XL Trailer [AMTS]
8.54m Stiletto AL HD

RD-T XL Trailer [CES]
8.54m Stiletto AL

RD-T XL Trailer [Upright]
8.54m Stiletto AL HD





Visit
Alumatower.com for
more information



INTEGRATED TELESCOPING ALUMINUM TOWER SYSTEMS

Extended Heights up to 106 ft. | Payload Capacity up to 600 lb



Rapid Deployment Mobile Elevation Systems with Aluminum Telescoping Towers

Our rapid deployment mobile elevation systems, equipped with aluminum telescoping towers, have established a reputation for strength and durability worldwide. Lightweight and corrosion resistant aluminum towers are robust towers that can be designed as freestanding (unguyed) systems or guyed for additional stability when required.

- Patented Radial Slide Bar System
 - Available on some models, increases tower stability by reducing tower section movement when deployed
- Automatic Locking Mechanism
 - Each section locks automatically and can be visually verified as locked upon deployment, ensuring safe and consistent elevation for extended periods.
- Self-Monitoring System
 - SMARTTOWER Technology automatically retracts tower or sends an SMS message in severe weather allowing you to make the decision. [Optional feature]
- Versatile Tilt Systems
 - We offer a variety of tilt systems to meet specific mission requirements. Short tilt systems facilitate air transport of trailer systems, while tall tilt systems provide tower clearance over shelters or equipment stored on the trailer deck.
- Shelters constructed in-house to your specifications
- Customizable Trailer Types
 - Our aluminum towers can be paired with trailer types tailored to your specifications, ranging from commercial to military-grade.
- Comprehensive Power Systems, Cabinets, and Shelters
 - We provide a range of power systems, cabinets, and shelters to meet your specific needs.



Guyed Extended Heights [ft. / m]: Ranges 39 / 11.8 to 106 / 32
Unguyed Extended Heights [ft. / m]: Ranges 39 / 11.8 to 92 / 28
Guyed Tower Capacity [lb / kg]: Ranges 50 / 22 to 275 / 124
Unguyed Tower Capacity [lb / kg]: Ranges 350 / 158 to 600 / 272

Unguyed Heights [ft. / m]	Tower Payload Capacity [lb / kg]
Ranges: 39 / 11.8 to 106 / 32	Ranges: 39 / 11.8 to 92 / 28
Unguyed Tower Payload Capacity [lb / kg]	Guyed Tower Payload Capacity [lb / kg]
Ranges: 350 / 158 to 600 / 272	Ranges: 50 / 22 to 275 / 124

Flexi-Fleet rental tower and mast systems are ready for deployment in case of emergencies
Representative Sample – Contact Will-Burt for Additional Options

S8 HYBRID

S6



TRAILER TOWER WITH SHELTER

Integrated Mobile Portable Tower System



S8 HYBRID

S6



S816



S510



S816



S812

ECT-20D4



ECT-20



ENCLOSED CARGO TRAILERS – ECT

Mobile Vehicle Unit Integrated with Cargo Trailer and Mobile Tower System



ECT-16

ECT-24D4



ECT-24



ECT-16



ECT-16



TM 12 SINGLE TOWER MAST



SINGLE TOWER MAST

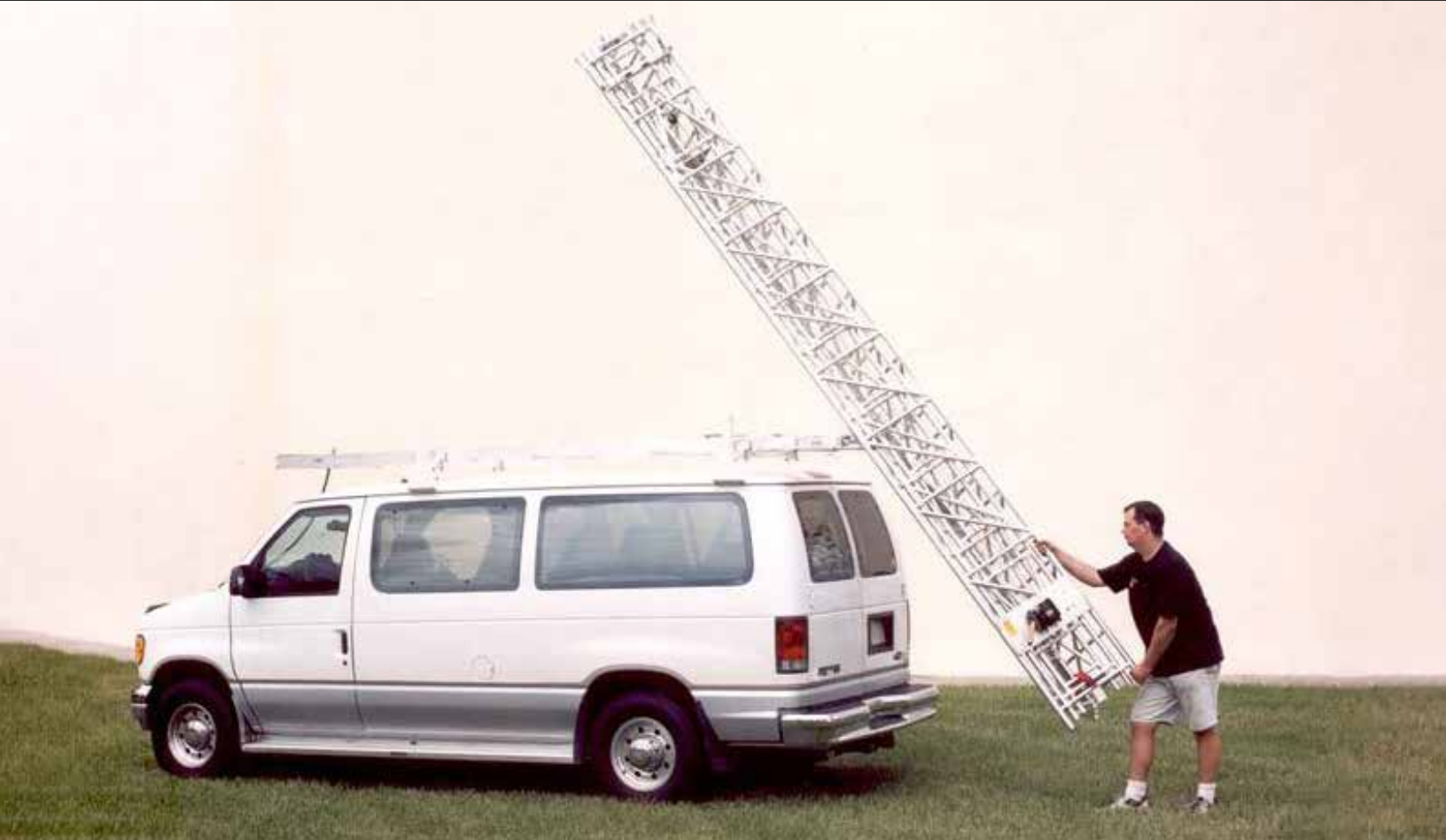
Small Mobile Tower System





VEHICLE MOUNTED TOWER

Vehicle-Mounted, Manually Extended Towers



TM 53-70 SCORPION



TM 12



TM 12

OPEN TRAILER TOWERS

Open-Style, Lightweight, Portable Aluminum Tower Systems



TM 51-35

RAPID RESPONSE MOBILE TOWER AND MAST SOLUTIONS



TM 55-90



TM 51-35



TM 53-70 SCORPION



TM 51-20



TM 51-90

RAPID RESPONSE MOBILE TOWER AND MAST SOLUTIONS



Patented Radial Slide Bar System
Increases tower stability by reducing tower section movement when deployed

SMARTtower

Complete Computer-Controlled Antenna System

SMARTtower™ technology automatically retracts tower or sends SMS message in severe weather allowing you to make the final decision.





SKID SYSTEM

Ideal for Harsh Environments, Rugged Terrains, and Limited Spaces





TELESCOPIC GUYED TOWERS

Lightweight and Portable Telescoping Towers





TELESCOPIC UNGUYED TOWERS

Self-Supporting Telescoping Towers





ALUMINUM SHELTER SYSTEMS

Extended Heights up to 106 ft. | Payload Capacity up to 600 lb

We specialize in designing and fabricating durable aluminum shelters tailored to customer specifications. Additionally, we offer a range of Commercial Off-The-Shelf (COTS) designs. Our lightweight shelters are engineered to provide ample capacity for equipment, ensuring optimal functionality and efficiency.



RAPID RESPONSE MOBILE TOWER AND MAST SOLUTIONS



CONTACT YOUR SALES REPRESENTATIVE TODAY



Contact Us
Complete a Contact Form

WILL-BURT NORTH AMERICA
WORLD HEADQUARTERS

401 Collins Boulevard, Orrville, OH 44667 USA
Telephone: +1 330 682 7015
Mast Customer Service: +1 330 684 4000
Fax: +1 330 684 1190
Email: info@willburt.com

WILL-BURT
UNITED KINGDOM

Unit 5b, Station Approach, Four Marks,
Alton Hampshire, GU34 5HN, United Kingdom
Telephone: +44 (0) 1403 265532
Fax: +44 (0) 1403 259072
Email: info@willburt.com

WILL-BURT INTEGRATION
ALUMA TOWER | ITS

7750 9th Street SW
Vero Beach, FL 32968 USA
Telephone: +1 772 567 3423 | +1 800 850 8535
Fax: +1 772 567 3432
Aluma Tower Email: info@alumatower.com
ITS Email: programs@itstowers.com

WILL-BURT ASIA
SINGAPORE SALES OFFICE

1 Fullerton Road, #02-01
One Fullerton, Singapore 049213
Telephone: +65 6832 5689
Fax: +65 6722 0664
Email: info@willburt.com

WILL-BURT
GERMANY

Fischerergasse 25
D-91344 Waischenfeld, Germany
Telephone: +49 9202 180
Fax: +49 9202 1811
Email: info@willburt.com

CLARK MASTS
A WILL-BURT COMPANY

18-20 Ringwood Road, Binstead,
Isle of Wight, PO33 3PA, England
Telephone: +44 (0) 1983 563691/567090
Fax: +44 (0) 1983 566643/811157
E-mail: sales@clarkmasts.com

The Will-Burt Company, headquartered in Orrville, Ohio, USA, is the world's premier manufacturer of mobile telescoping masts, towers and pan and tilt positioners. We offer virtually every mobile payload elevation and integration solution for defense, government, first responders, cellular and mobile, broadcast, energy production and other markets. Will-Burt also offers contract manufacturing, metal fabrication, powder-coating, and rapid prototyping services. Will-Burt is an international company with offices and manufacturing in the USA, England, and Germany along with offices in Singapore. All Will-Burt Company manufacturing locations are backed by a certified ISO 9001:2015 Quality Management System. Incorporated in 1918, Will-Burt is 100% employee-owned and is classified as a small business.

*Disclaimer: Dimensions and weights are for reference only and are subject to change.
Please contact Will-Burt for current engineering specifications.*



Will-Burt Terms and Conditions of Sale:
<https://www.willburt.com/support/service/will-burt-terms-conditions-of-sale/>

January, 2026
The Will-Burt Company
ISO 9001:2015
INNOVATION ELEVATED®