



PORTABLE ELEVATION SOLUTIONS



Elevating Possibilities: Will-Burt + Clark Masts

In a landmark move that brought together two of the most respected names in mobile elevation, **The Will-Burt Company** acquired **Clark Masts Systems Limited** in 2023, creating a unified portfolio of world-class elevation solutions for defense and commercial applications.

This strategic acquisition combines Will-Burt's legacy of precision-engineered telescoping masts, towers, and integrated trailer systems with Clark's globally recognized expertise in fast-erecting pneumatic mast systems. Together, we now offer an unmatched range of elevation products—designed to meet the most demanding operational requirements with speed, strength, and reliability.

Why This Matters to You

- **Expanded Product Range:** From lightweight field-deployable masts to robust vehicle-mounted systems, our combined offerings cover every elevation need.
- **Global Reach, Local Support:** With manufacturing and sales operations in the U.S., U.K., Belgium, and beyond, and backed by Will-Burt's worldwide service network, customers receive prompt and knowledgeable support wherever they operate.
- **Uncompromising Quality:** Both Will-Burt and Clark share a commitment to engineering excellence, with in-house design, CNC machining, and rigorous testing to meet standards like MIL STD 810F.
- **Proven Performance:** Our masts are trusted by military and commercial users across Europe, Asia, the Middle East, Australia, and the United States.
- **Versatile Solutions:** Choose from locking or non-locking collars, rotatable or fixed masts, and mounting options for field, vehicle, or shelter deployment.

As we move forward together, the Will-Burt and Clark teams remain dedicated to delivering innovative elevation systems that empower your mission—whether you're deploying communications, surveillance, lighting, or sensor technologies.

CLARK MASTS

A WILL-BURT COMPANY



TABLE OF CONTENTS



4-7

**CLARK QT SERIES
PORTABLE FIELD
MASTS**



8-11

**CLARK ST / NT / MT
SERIES PNEUMATIC
MASTS**



12-15

**CLARK PT / YT SERIES
PNEUMATIC MASTS**



16-19

**CLARK DAF SERIES
PNEUMATIC MASTS**



20-23

**CLARK SERIES
OPTIONAL
ACCESSORIES**



24-25

**CLARK QUADPOD
STABLE PLATFORM**



26-27

**CLARK QUADPOD WITH
PNEUMATIC MAST**



28-29

**HURRY-UP PORTABLE
FIELD MASTS**



30-31

**EXPEDITION SERIES
RANGER MAST**



32-33

**ANTENNA MAST
MODEL AM2**



34-41

**CLARK SECTIONAL
MASTS**



42-43

**QUICK ERECTING
ANTENNA MAST
[QEAM]**



CLARK SERIES QT PNEUMATIC MASTS

Extended Heights up to 49.2 ft. | Payload Capacity up to 49.5 lb

The QT Range of lightweight telescopic pneumatic masts are designed to be portable and erected quickly where they are required. Available in a wide range of heights from 3m to 15m and in a range of sizes to suit varying payloads. It is a highly versatile system capable of being field mounted using a folding tripod stand. Equally at home when mounted to a vehicle or shelter, the QT Range is designed to be versatile. Made from high strength 16 swg aluminum tube, to save weight, the QT Range is non-keyed, allowing for easy payload pointing and each section is fitted with a locking collar. Payloads are quickly attached using the quick clamp 24mm socket with a variety of available payload adapters.

Technical Specifications

- Heights 13.1 ft [4m] to 49.2 ft [15m]
- Payloads up to 49.5 lb [22.5 kg]
- Aluminum alloy sections
- Handpump
- Mounting Studs M8
- Water drain plug
- Air release screw
- Section locks
- Guy collar
- Quick clamp [24mm] for payloads
- Field / Vehicle / Shelter Deployment
- Wide variety of accessories available
- Dry operating temperatures
 - -40°F to 131°F [-40°C to 55°C]





CLARK QT SERIES MK VI TRIPOD

Suitable for Non-rotatable Masts up to 49.2 ft.



All MK VI tripods can either be stored vertically or horizontally and suitable for non-rotatable masts up to 15 meters. Additionally, a tripod mounting bracket is available for all QT models, allowing the mast to be fixed onto a wall, vehicle, or shelter. A ground, vehicle, or shelter tripod is equipped with a locking block which enables the user to attach this tripod to the tripod mounting bracket for compact vertical storage, with or without the mast.



Specifications

Clark Series	Base Tube (in. / mm)	Number of Sections	Minimum Height [ft. / m]		Maximum Height [ft. / m]		Payload Capacity [lb / kg]
			Stowed	Extended	Stowed	Extended	Minimum
QTL	2.00 / 50.8	4	4.4 / 1.35	14.4 / 4.4	6.2 / 1.90	19.7 / 6.00	9.2 / 4.5
QT	2.50 / 63.5	4	4.4 / 1.35	14.4 / 4.4	6.2 / 1.90	20.0 / 6.10	22 / 10
QT	2.50 / 63.5	5	4.6 / 1.40	15.1 / 4.6	4.6 / 1.40	16.4 / 5.00	13.2 / 6
QT	2.50 / 63.5	6	3.6 / 1.10	11.8 / 3.6	6.9 / 2.10	32.8 / 10.00	9.9 / 4.5
SQT	3.00 / 76.2	4	3.4 / 1.05	11.2 / 3.4	6.2 / 1.90	19.7 / 6.00	45.1 / 20.5
SQT	3.00 / 76.2	5	7.4 / 2.25	24.3 / 7.4	7.4 / 2.25	29.5 / 9.00	39.6 / 18
SQT	3.00 / 76.2	6	3.6 / 1.10	11.8 / 3.6	8.9 / 2.70	40.0 / 12.20	22 / 10
SQT	3.00 / 76.2	7	3.3 / 1.00	10.8 / 3.3	9.2 / 2.80	49.2 / 15.00	5.5 / 2.5
SQT	3.00 / 76.2	8	3.9 / 1.20	12.8 / 3.9	6.6 / 2.00	37.9 / 11.55	5.5 / 2.5
QTX	3.50 / 88.9	5	7.4 / 2.25	24.3 / 7.4	7.4 / 2.25	29.5 / 9.00	44 / 20
*QTX	3.50 / 88.9	6	3.4 / 1.05	11.2 / 3.4		13.1 / 4.00	
*QTX	3.50 / 88.9	6	4.9 / 1.50	16.1 / 4.9		20.0 / 6.10	
*QTX	3.50 / 88.9	6	5.9 / 1.80	19.4 / 5.9		26.1 / 7.95	
*QTX	3.50 / 88.9	6	7.2 / 2.20	23.6 / 7.2		33.3 / 10.15	
*QTX	3.50 / 88.9	6	8.7 / 2.65	28.5 / 8.7		40.0 / 12.20	
*QTX	3.50 / 88.9	7	9.2 / 2.80	30.2 / 9.2		49.2 / 15.00	
QTX	3.50 / 88.9	7	4.9 / 1.50	16.1 / 4.9	9.2 / 2.80	49.2 / 15.00	22 / 10
QTX	3.50 / 88.9	8	3.9 / 1.20	12.8 / 3.9	8.5 / 2.60	49.2 / 15.00	13.2 / 6
QTX	3.50 / 88.9	9	7.9 / 2.40	25.9 / 7.9	7.9 / 2.40	49.2 / 15.00	5.5 / 2.5

*US Stock CLR ADZ

Mk VI Tripod Part Number	Extended Height [ft. / m]	Weight [lb. / kg]
CM-36585	13.1 / 4.0	25.2 / 11.4
CM-36586	19.7 / 6.0	28.0 / 12.7
CM-36587	26.3 / 8.0	30.9 / 14.0
CM-36588	32.8 / 10.0	34.0 / 15.4
CM-36589	39.4 / 12.0	36.9 / 16.7
CM-36590	49.2 / 15.0	40.0 / 18.0

Tripod Mounting Bracket

CM-36592-SG All Mk VI models



Tripod Mounting Bracket

Tripod Mounting Bracket with Tripod Stand Mounted

Tripod Mounting Bracket with Tripod Stand and Mast Mounted

Clark QT Series Accessories



Mast Wall Mounting Bracket
For permanent fixture of the mast, used in pairs.



Wheel Mounting Bracket
For temporary fixture of a mast using the weight of a vehicle. | CM-33770



Mast Mounting Ring
For permanent fixture of the mast, used in combination with the mast mounting studs. Used in pairs.



2" Hitch Mount Assembly
Use 2" vehicle receiver hitch to mount and deploy the mast - all hardware included. Used in pairs. 6022901-PA09



Saddle Clamp
For non-permanent fixture of the mast, making the mast instantly removable. Used in pairs.

Mounting Post
Can be mounted on suitable level surface to deploy the mast - mast mounting hardware included. 6023101-PA09



Roof Bearing
All roof bearings are foreseen with rubber seals to avoid water infiltration.

Canvas Cover
Light-grey canvas cover for mast head protection against dust, rain and snow. CM-36388-SG



Base Mounting Bracket
Used in combination with a roof bearing.



Guying Kit
1 Level Guy [Up to 33 ft. / 10m]
2 Level Guy [33 ft. / 10m and above]
CM-29324-SG

Handpump Canvas Cover
Canvas cover for handpump protection, against dust, rain and snow. CM-50472-SG



ST Series



NT Series



MT Series



CLARK SERIES ST / NT / MT PNEUMATIC MASTS

Extended Heights up to 52.4 ft. | Payload Capacity up to 66.1 lb

Will-Burt's Clark Series ST, NT, and MT are lightweight enough to allow for easy field portability and strong enough to manage significant payloads whether in the field, in a vehicle, or on a shelter. The tube sets are more robust than the QT and have full-length keys to minimize twist. Available with locking or non-locking collars and rotatable and non-rotatable versions, this series of telescoping masts offer the ultimate in flexibility.

Available with a variety of payload adapters, the Clark Series ST / NT / MT are sure to meet your stringent requirements.

Technical Specifications

- Heights from 2.51m to 16m
- Payloads from 5 kg to 30 kg
- 6082T6 aircraft grade seamless drawn aluminum tubes
- Full-length sectional keys to minimize twist
- Rotating and Non-rotating versions
- Locking and Non-locking collars available
- Powerful quick clamp (24mm) for payloads
- Field / Vehicle / Shelter Deployment
- Wide variety of accessories available
- Optional mast extension warning switch
- Must be ordered at time of build
- Manual pump or compressor options
- Dry operating temperatures
 - -40°F to 131°F [-40°C to 55°C]



Key Features



- 1. Powerful low-friction antenna clamp [Flang mount optional]
- 2. Rotating Guy Collar
- 3. Large handles for easy section locking
- 4. Easily replaced frangible key protecting mast keyway
- 5. Totally enclosed telescopic section locking system
- 6. Collet Ring [Locks section on full extension]
- 7. Adjustable bearing screws
- 8. Optional water drain hole
- 9. Machined keyway aligning telescoping sections
- 10. High tensile corrosion resistant aluminum alloy tube anodized finish
- 11. Double Supertork notched locking sections on torsion when the mast is fully extended
- 12. Exclusive natural rubber low leak seals
- 13. Teflon bearing rings on each piston
- 14. Location of optional mast extension warning switch [factory fitted only]
- 15. Combined pressure relief and condensate drain valve
- 16. Air inlet



Available with optional extension warning switch

Alternative Collars and Bases available for varied application and Field or Vehicle Installation



Plain Collars



Locking Collars



Fixed Base



Rotatable Base



Field Base

Specifications

Clark Series	Base Tube (in. / mm)	Number of Sections	Minimum Height (ft. / m)		Maximum Height (ft. / m)		Payload Capacity (lb / kg)
			Stowed	Extended	Stowed	Extended	Maximum
STX-N 3	3.00 / 76.2	3	4.4 / 1.35	8.2 / 2.51	12.2 / 3.72	29.7 / 9.06	66 / 30
ST-N 4	3.00 / 76.2	4	4.9 / 1.50	14.8 / 4.51	9.3 / 2.82	29.7 / 9.06	44 / 20
ST-N 5	3.00 / 76.2	5	4.6 / 1.40	16.0 / 4.88	8.1 / 2.47	30.2 / 9.20	19.8 / 9
NT-N 4	3.50 / 88.9	4	4.6 / 1.39	13.1 / 4.00	8.1 / 2.48	26.4 / 8.05	66 / 30
NT-N 5	3.50 / 88.9	5	5.4 / 1.65	19.7 / 6.00	8.7 / 2.65	33.0 / 10.05	44 / 20
NT-N 6	3.50 / 88.9	6	5.5 / 1.67	19.7 / 6.00	9.2 / 2.79	39.4 / 12.00	19.8 / 9
MT-N 5	4.00 / 101.6	5	5.5 / 1.67	19.7 / 6.00	13.4 / 4.08	52.5 / 16.00	66 / 30
MT-N 6	4.00 / 101.6	6	7.0 / 2.13	29.5 / 9.00	11.7 / 3.56	52.5 / 16.00	33 / 15



Deployment Options

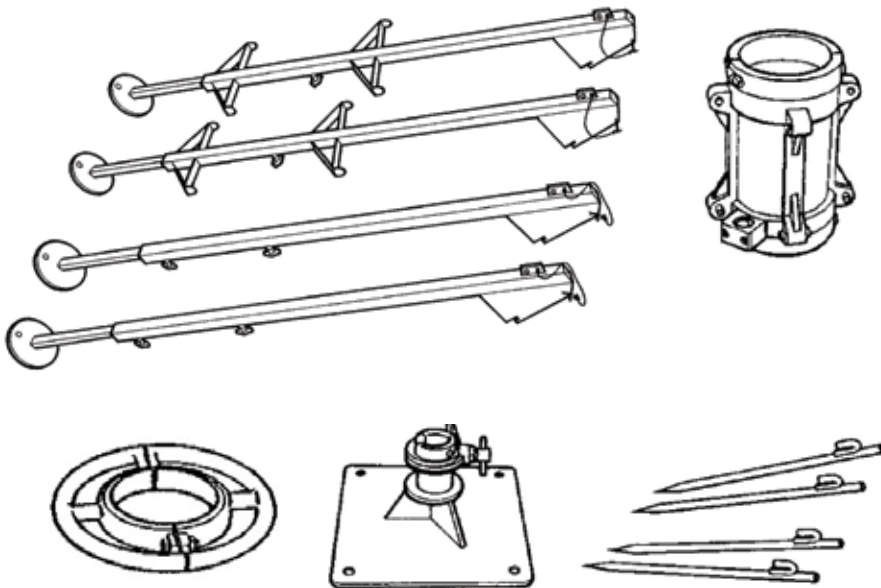
ST / NT Series MK VI Tripod

The ST and NT masts are mounted on a MK VI stainless steel folding tripod stand, which is easily transported when folded [pictured below].



MT Series Field Leg Assembly

The assembly consists of four adjustable legs which connect to an alloy collar. Wheel handle, spikes and mast base are included. | Weight: 50.91 kg



PT Series



YT Series



CLARK SERIES PT / YT PNEUMATIC MASTS

Extended Heights up to 68.8 ft. | Payload Capacity up to 132.2 lb

Discover the perfect blend of portability and strength with Will-Burt's Clark Series PT and YT telescoping masts. Designed for easy transport and robust performance, these masts excel in various environments—whether deployed in the field, mounted on vehicles, or integrated into shelters.

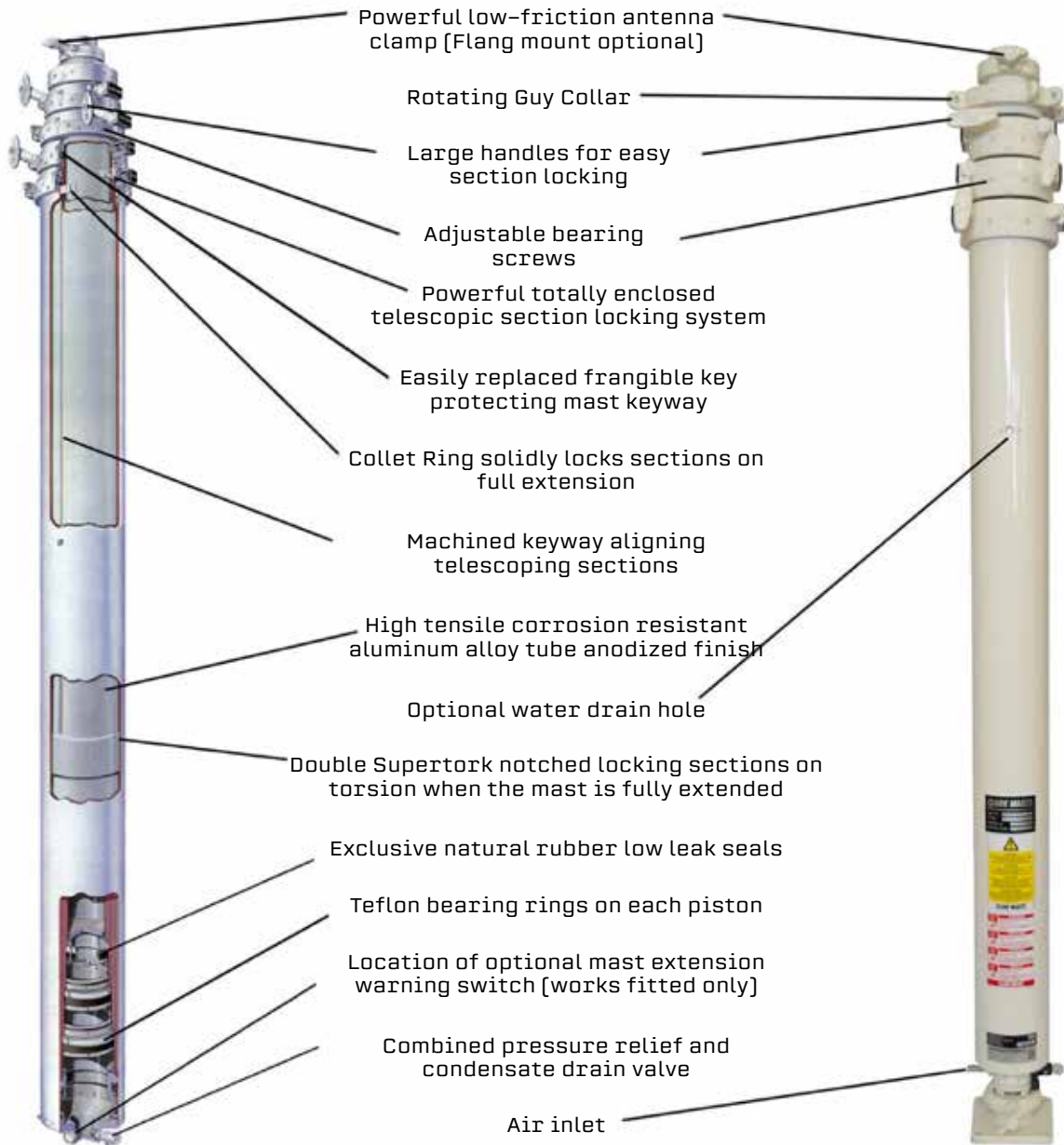
Engineered with enhanced tube sets that surpass the QT series, the Clark Series PT and YT feature full-length keys to significantly reduce twist. Choose from locking or non-locking collars and rotatable or non-rotatable versions to suit your specific needs. This series offers unparalleled flexibility and adaptability.

With a wide range of payload adapters available, the Clark Series PT and YT are equipped to meet even the most demanding requirements. Experience the ultimate in versatility and reliability with these exceptional telescoping masts.

Technical Specifications

- Heights from 7m to 21m
- Payloads from 8 kg to 60 kg
- 6082T6 aircraft grade seamless drawn aluminum tubes
- Full-length sectional keys to minimize twist
- Rotating and Non-rotating versions
- Locking and Non-locking collars available
- Powerful quick clamp (24mm) for payloads
- Field / Vehicle / Shelter Deployment
- Internal cable option for sizes up to 7m
- Optional mast extension warning switch
 - Must be ordered at time of build and increases stowed height
- Wide variety of accessories available
- Manual pump or compressor options
- Dry operating temperatures
 - -40°F to 131°F [-40°C to 55°C]

Key Features



Available with optional extension warning switch

Alternative Collars and Bases available for varied application and Field or Vehicle Installation



Plain Collars



Locking Collars



Fixed Base



Rotatable Base



Field Base

Specifications

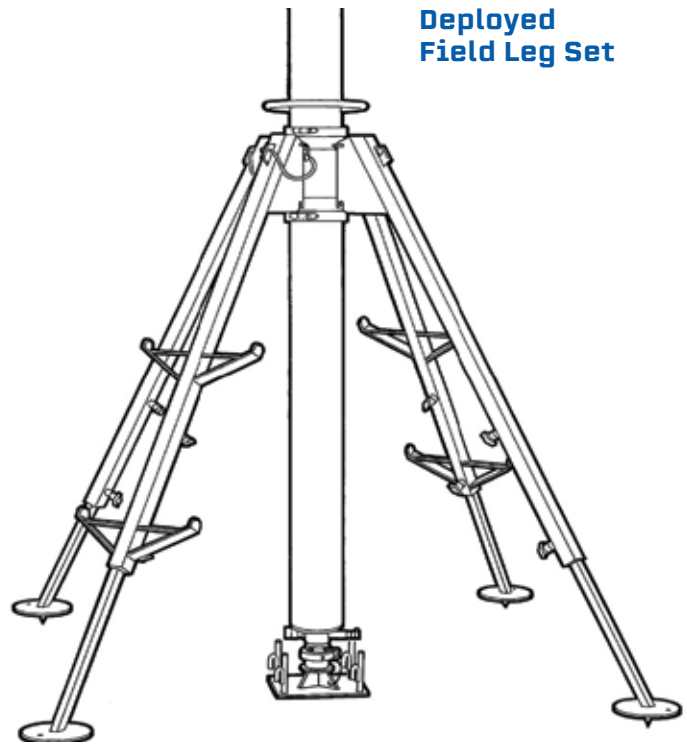
Clark Series	Base Tube (in. / mm)	Number of Sections	Minimum Height (ft. / m)		Maximum Height (ft. / m)		Payload Capacity (lb / kg)
			Stowed	Extended	Stowed	Extended	Maximum
PT-NP 4	4.50 / 114.3	4	4.4 / 1.35	9.8 / 3.00	7.9 / 2.41	23.0 / 7.00	132 / 60
PT-NP 5	4.50 / 114.3	5	4.4 / 1.35	13.1 / 4.00	16.3 / 4.98	60.3 / 18.37	110 / 50
PT-NP 6	4.50 / 114.3	6	4.8 / 1.45	16.4 / 5.00	11.2 / 3.41	50.4 / 15.37	66 / 30
PT-NP 7	4.50 / 114.3	7	4.4 / 1.35	13.1 / 4.00	13.7 / 4.18	69.1 / 21.07	44 / 20
YT-NP 6	5.00 / 127.0	6	5.1 / 1.56	19.7 / 6.00	14.5 / 4.42	69.4 / 21.16	88 / 40
YT-NP 7	5.00 / 127.0	7	5.7 / 1.75	26.2 / 8.00	13.1 / 3.98	68.9 / 21.00	55 / 25
YT-NP 8	5.00 / 127.0	8	5.5 / 1.67	28.0 / 8.52	12.6 / 3.85	68.9 / 21.00	33 / 15



Deployment Options



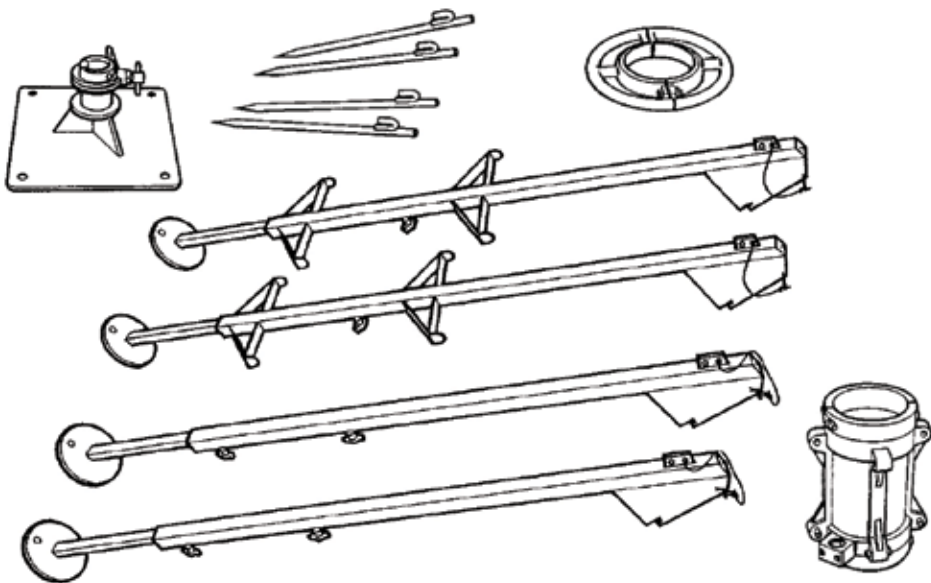
Field Leg Set and Hand Pump



Deployed Field Leg Set

PT / YT Series Field Leg Assembly

The assembly consists of four adjustable legs which connect to an alloy collar. Wheel handle, spikes and mast base are included. | Weight: 52.55 kg





CLARK SERIES DAF PNEUMATIC MASTS

Extended Heights up to 40.5 ft. | Payload Capacity up to 77.1 lb

Will-Burt's Clark DAF (which stands for Deployable Antenna Field) Series are based on ST and NT Series masts fitted with integral field legs. They are fitted with an integral hand pump for extension and have four telescopic adjustable steel field legs for field mounting. The masts are made from high strength 3.25mm wall anodized aluminum tube with a full-length keyway machined into each telescopic section.

The Clark DAF is a system ready for field deployment. [Specific payload adapter required]

Technical Specifications

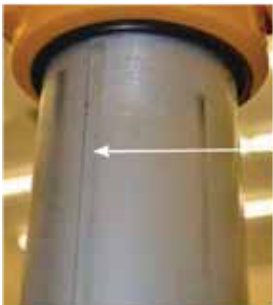
- Heights from 4.5m to 12.35m
- Payloads from 10 kg to 35 kg
- 6082T6 aircraft grade seamless drawn aluminum tubes
- Full-length sectional keys to minimize twist
- Locking collars and Non-rotating
- Powerful quick clamp [24mm] for payloads
- Field Deployment
- Guy Kit included
- Attached field legs and stakes included
- Manual pump attached and included
- Dry operating temperatures
 - -40°F to 131°F [-40°C to 55°C]



Key Features



24 mm Top Socket and Guy Collar



Machined Keyway aligning telescopic sections



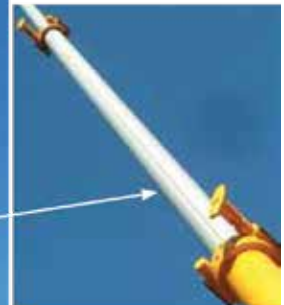
Integral Hand pump



Adjustable spiked Field Legs



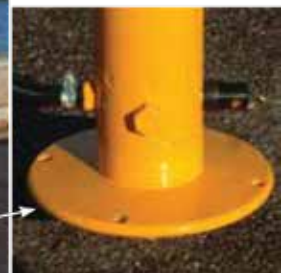
Large Handles for easy clamping



High tensile corrosion resistant anodized aluminium sections



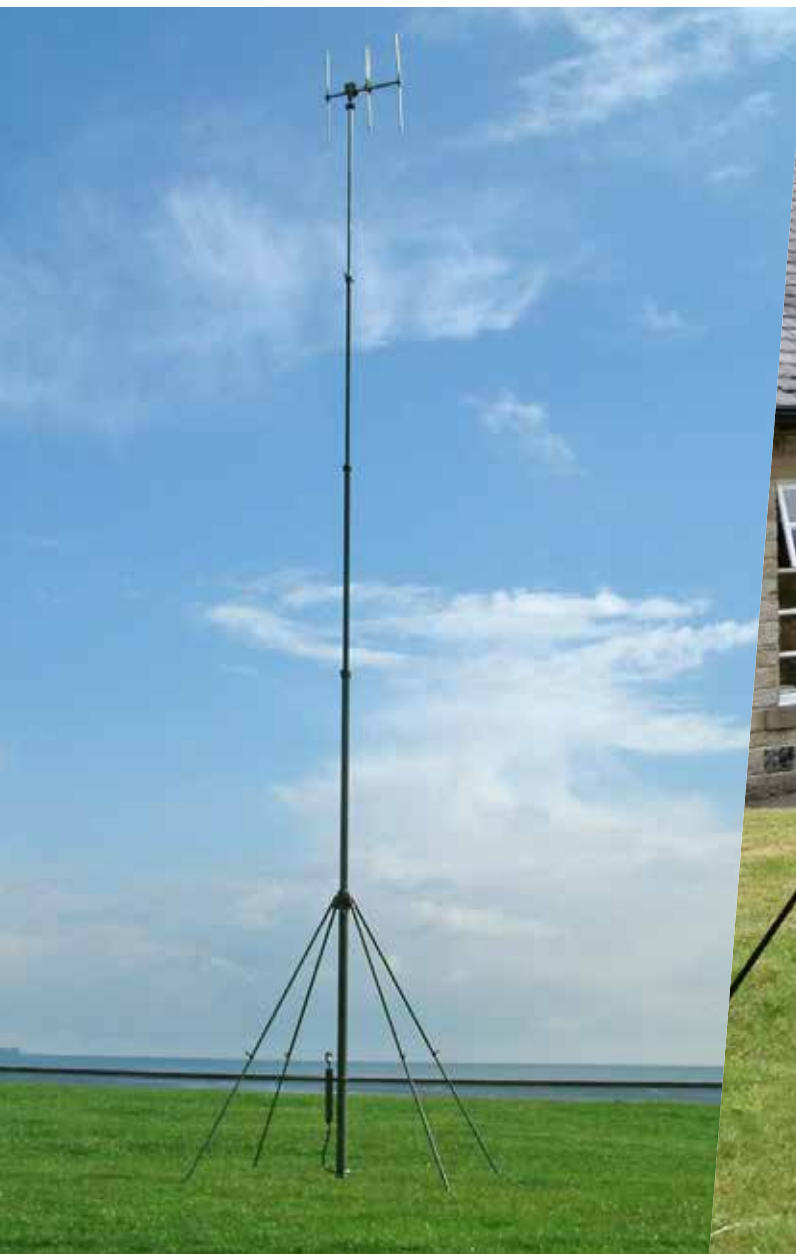
Field Leg Collar



Base with Air inlet, Pressure Relief/ Drain Valve and Ground Spike holes.

Specifications

Clark Series	Base Tube (in. / mm)	Number of Sections	Minimum Height (ft. / m)		Maximum Height (ft. / m)		Payload Capacity (lb / kg)
			Stowed	Extended	Stowed	Extended	Maximum
DAF/ST	3.00 / 76.2	4	5.2 / 1.60	14.8 / 4.50	13.1 / 4.00	40.5 / 12.35	44 / 20
DAF/NT	3.50 / 88.9	4	5.2 / 1.60	14.8 / 4.50	13.1 / 4.00	40.5 / 12.35	77 / 35
DAF/NT	3.50 / 88.9	5	5.8 / 1.78	19.7 / 6.00	10.5 / 3.20	39.4 / 12.00	44 / 20



Deployable Antenna Field (DAF) Kit



Item	Title	Quantity per Kit
1	DAF Mast	1
2	Accessory Bag	1
3	Guy Assembly	3
4	Hammer	1
5	Spikes	4
6	Pickets	3

CLARK SERIES OPTIONAL ACCESSORIES

ST / NT / MT / PT and YT Series Masts

Mast Mounting Hardware Options [may vary by mast size]



Upper Mounting Bracket
Used to mount the mast externally on a vehicle, wall, or shelter. Allows the mast to rotate 360° and is fitted with PTFE bearing pads.



Lower Mounting Bracket
Used for externally mounting the mast on a vertical surface of a vehicle.



Saddle Clamp
Allows the mast to be mounted on vertical or horizontal surfaces and to be quickly released when required.



Roof Bearing
Used when fitting a mast through the roof of a vehicle. Allows 360° rotation and is fitted with PTFE bearings and a weatherproof ring.



Guy Kit
For added stability in windy conditions or for taller masts.



Guy Winch Controller
A purpose made guy winch controller allows guy wire ropes to be controlled from one position and kept in tension.

Protection Cover Options [may vary by mast size]



Compressor Cover
Heavy duty nylon canvas cover for trailer masts compressor unit, which protects the compressor unit during road transport.



Guy Winch Cover
A heavy-duty nylon canvas cover to protect the guy winch controller and guy ropes when not in use.



Hand Pump Cover
[pump attached to mast]
Heavy duty nylon canvas hand pump cover protects from dust, rain, and snow



Mast Head Cover
Heavy duty nylon canvas head cover, protects the mast head when mast retracted, available to suit all sizes of mast

CLARK SERIES OPTIONAL ACCESSORIES

ST / NT / MT / PT and YT Series Masts

Cable Management Options [will vary by mast size]



Spreader Bar Assembly

A spreader bar assembly to hold the Nycoil tubing at the mast head complete with 24mm quick clamp fitting for antenna.



Nycoil Assembly

Used in conjunction with a spreader bar fitted to the mast head to guide, protect and manage cables for equipment fitted to the mast.



Nycoil Basket

A basket assembly which fits around the mast to retain the Nycoil assembly when the mast is retracted, made to suit mast diameter.



Feeder Cable Strap

Fastens around mast tube sections with location lug to control antenna cabling.



Coiled Cable Guide

A metal cable guide which can accept the cable via the split ring allowing insertion and removal of the cable when using a detachable headload.



Remcleat

A simple cable clamp system which attaches to the mast collar to retain external cables.

Pneumatic Systems Options [may vary by mast size]



Hand Pump

Suitable for use with all pneumatic telescopic masts and its high capacity makes it ideal as an air source in the field, vehicle mounted or as a back up unit.



Twin Cylinder Foot Pump

This external, lightweight, and compact foot pump allows the user to extend the mast with ease. Supplied with 3 metre hose and bayonet plug.



Air Compressor

Powered either by vehicle 12 or 24v DC or by shore power 110 or 230v AC. A built-in pressure switch cuts out when the mast reaches its preset level and cuts in only when required to top up the pressure thereby saving battery power. Supplied with power connection plug. Optional wired remote control available.

CLARK SERIES OPTIONAL ACCESSORIES

ST / NT / MT / PT and YT Series Masts

Additional Hardware Options [may vary by mast size]



Internal Mast-Up Warning Switch

Operated from ground level to rotate antenna position on a non turning mast using a rope pull system. Fits into the top socket of the mast.



Internal Rotator

Operated from ground level to rotate antenna position on a non turning mast using a rope pull system. Fits into the top socket of the mast.



Antenna Tilter

The user operates the antenna tilter from ground level by rope control. The diameter of the spigot and antenna clamp is 24 mm. Suitable for antennas up to 10 kg.



Security Locks

On masts fitted with Combined Collar (Locking collar) masts, the standard handles can be replaced with domed hexagon nuts for extra security. A hexagon key tool is required for operation.



Side Handles

This side handle clamps to the mast to provide a turning handle on a rotatable mast.



Wheel Handle

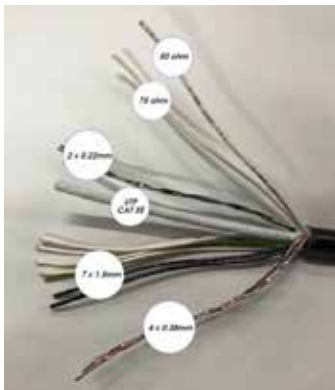
This solid aluminum handle is fitted to the 6" base tube of the mast when rotation is required.



Graduated Collar

Used for masts requiring directional bearing references. Indexed 0 to 360°.

PT / YT Series Specific Options [may vary by mast size]



Internal Cables

PT or YT masts up to 7m in height can be fitted with an internal extendable cable. Cable entry and junction is provided by base housing and top housing. A choice of electrical and screened cables can be supplied.



Vehicle Bracket Set

Special Upper Mounting Bracket and adjustable Lower Mounting Bracket.

CLARK SERIES OPTIONAL ACCESSORIES

QT / ST / NT / MT / PT / YT and DAF Series Masts

Top Adapters for All Masts with 24mm Quick Clamp



Top Adapter

The adapter has a circular flange to accept universal camera fixing bolts. Features a central cable routing facility for end fed cameras.

CM-60453-B



Camera Adapter

A 24mm spigot adapter to fit the standard camera thread [1/4" whitworth] which allows rapid mounting of equipment and cameras to a Clark mast.

CM-29442-SG



Small Universal Antenna Adapter

Mount a variety of payload equipment.

CM-1344-SG



Large Universal Antenna Adapter

Mount a variety of payload equipment.

CM-8999-SG



Solid Straight Adapter

600mm extension adapter.

CM-49705-SG

CLARK QUADPOD STABLE PLATFORM

Extended Heights up to 3.5 ft. | Payload Capacity up to 551 lb

Will-Burt's Clark QuadPod is a rugged, lightweight torsionally stable platform for long range EO, laser and radar equipment. The adjustable legs can cope with a ground slope of up to 12°.

Packed into two kit bags for easy stowage and portability the Clark QuadPod is an all-aluminum construction using the same materials as used in our MIL STD 810F qualified masts, aircraft grade 6082T6 seamless drawn aluminum tube and LM6 die cast aluminum. It has a large 551 lb. [250kg] payload capacity mounted via a 9.45 in. [240mm] diameter heavy duty top flange. Torsional stability is +/- 0.1°.

No tools are required for assembly and it is deployed in under 2 minutes. All fixings are retained to avoid loss.

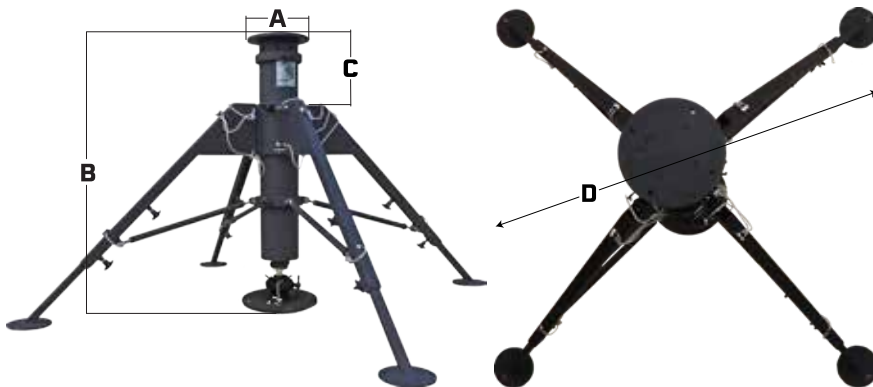
Technical Specifications

- Extended Height 3.5 ft. [1.0m]
- Payload Capacity 551 lb [250kg]
- All aluminum
- Torsional stability is +/- 0.1°
- Non-Rotatable
- Field Deployment
- Field legs, bubble level, stakes and two storage bags included
- 240mm payload flange with four M10 mousing holes included
- Dry operating temperatures
 - -40°F to 131°F [-40°C to 55°C]



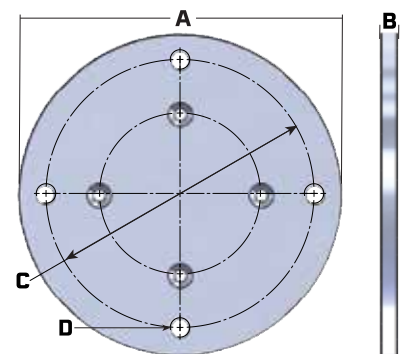
Key Features

- Rugged, but lightweight, all-aluminium construction - Aircraft grade seamless drawn 6082T6, aluminium alloy 6082T6, die cast aluminium alloy LM6
- Fully portable in 2 included bags
 - QuadPod Bag [packed] - 41x13.4x13.4 in., 44 lb approx.
 - Leg Assembly Bag [packed] - 41x12.2x9.8 in., 26.5 lb approx.
- Large 551 lb. payload, via 9.45 in. heavy duty top flange
- Torsionally stable to ±0.1°
- Fully deployable by 2 people in less than 2 minutes
- No tools required
- Adjustable legs allow for deployment on sloping ground of up to 12°
- Integral bubble level ensures accurate deployment
- Bespoke pre-tensioned bracing arm assembly ensures a totally stable platform every time
- Dyed black and hard anodized finish for long-term all-weather protection
- CE marked
- Air transportable



Quadpod Stable Platform

- | | |
|-----------------------------|-------------------------|
| A Ø9.45 in. / 240mm | C 10 in. / 254mm |
| B 39.65 in. / 1007mm | D Ø78.7 / 2000mm |



Payload Flange

- | | |
|---------------------------|--------------------------------|
| A 9.45 in. / 240mm | C Ø7.87 in. / 200mm pcd |
| B 0.47 in. / 12mm | D [4] x M12x1.75 |

Specifications | Key Features

Clark Series	Base Tube [in. / mm]	Number of Sections	Maximum Height [ft. / m]		Payload Capacity [lb / kg]
			Stowed	Extended	Maximum
QuadPod	6.00 / 152.4	1	3.50 / 1.07	3.50 / 1.07	551 / 250



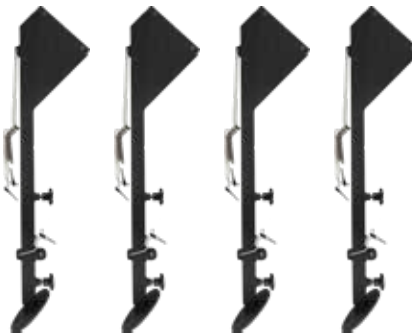
Fully Deployable
by 2 People in Less
Than 2 Minutes



Lightweight,
All-Aluminium
Construction



Pre-Tensioned Bracing Arms



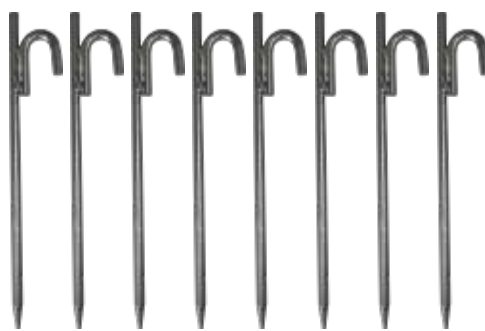
[4] Adjustable Field Legs



Integral Bubble Level



Base Plate with Locking Ring



[8] Ground Stakes Included



[2] Storage Bags Included



CLARK QUADPOD WITH PNEUMATIC MAST

Extended Heights up to 9.8 ft. | Payload Capacity up to 265 lb

Will-Burt's Clark QuadPod is a highly portable telescopic mast system based on our QuadPod system using a WT Series telescopic mast, extending to 3.0m and with up to a 265 lb payload. Fitted as standard with a 190mm diameter flange it can manage a variety of payloads that require the utmost level of stability and pointing accuracy.

Technical Specifications

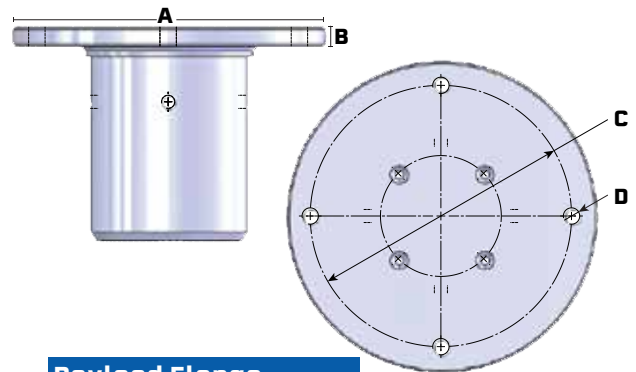
- Height: 9.8 ft. [3.0m]
- Payload: 264 lb [120kg]
- All aluminum
- Locking collars
- Non-Rotatable
- 190mm payload flange with four M10 mounting holes included
- Guy kit, Stakes, Hand pump, Field legs, Bubble level, and Storage bags included
- Field Deployment
- Dry operating temperatures
 - -40°F to 131°F [-40°C to 55°C]



Top Guy Kit



Hand Pump with 3m Hose

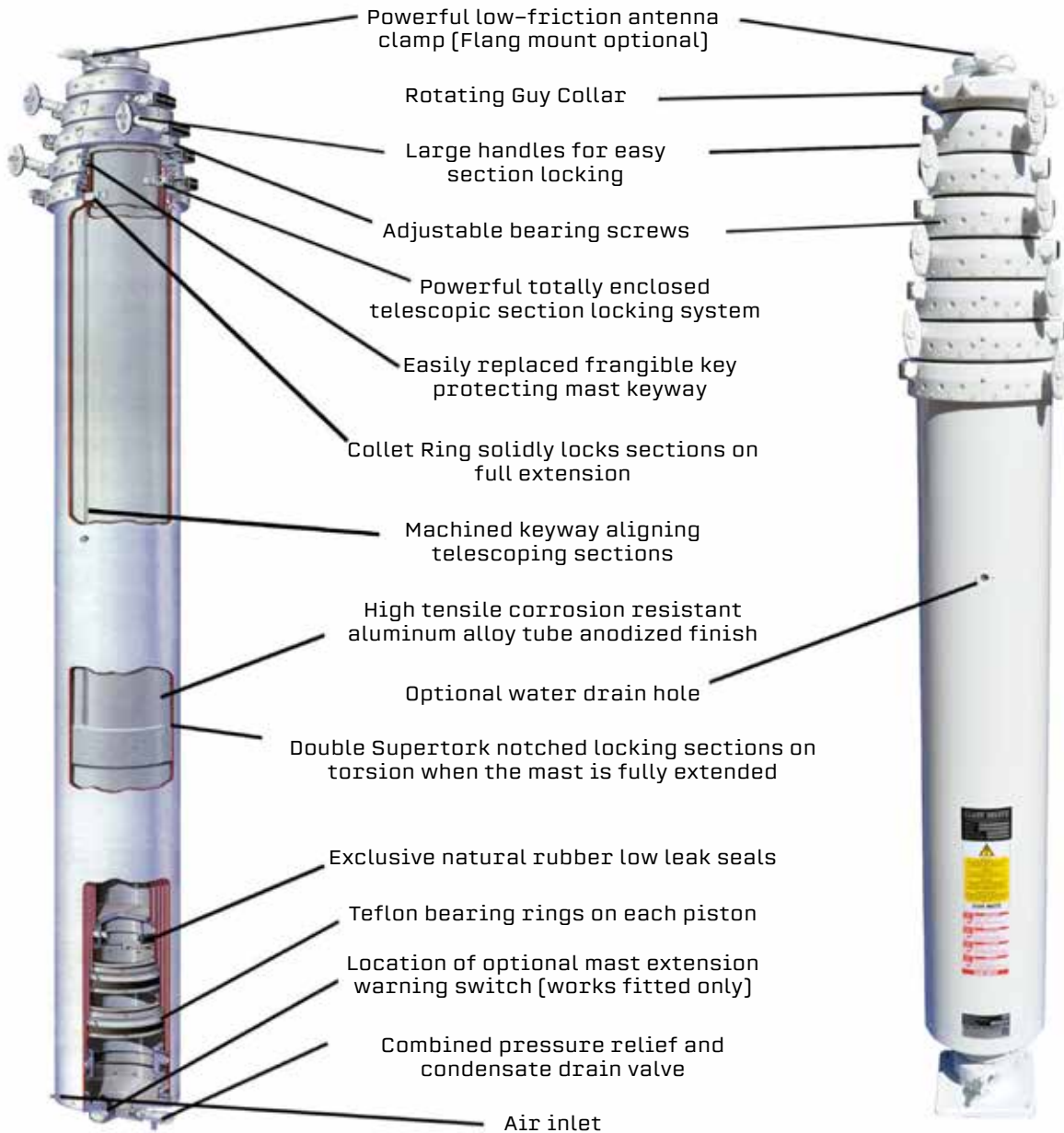


Payload Flange

- A** Ø7.45 in. / 190mm
- B** 0.45 in. / 11.50mm
- C** Ø6.30 in. / 160mm pcd
- D** [4] x M10x1.5

Specifications | Key Features

Clark Series	Base Tube (in. / mm)	Number of Sections	Maximum Height (ft. / m)		Payload Capacity (lb / kg)
			Stow	Extended	Maximum
QuadPod with WT Mast Kit	6.00 / 152.4	5	3.71 / 1.13	9.84 / 3.0	265 / 120



Available with optional extension warning switch



HURRY-UP PORTABLE PUSH UP TELESCOPING MAST

Extended Heights up to 30 ft. | Payload Capacity up to 20 lb

The Hurry-Up manual push-up mast, can be extended to a full height of 30 feet [9 m] in one minute or less. The Hurry-Up mast features quick lock/release collars. Extend the mast manually by pushing up the sections and fixing them in position. This mast is ideal for fast deployment of light-weight antennas and instruments.

- Rigid azimuth locking collars
 - Quick direction adjustments
- Black anodized finish
 - Corrosion resistant
- Simple design and operation
 - Manual push-up deployment, retraction, and locking of mast
 - Positional feedback

ACCESSORIES

[Mounting option required]:

- Drive-on plate mounting
 - No guylines required
- Removable payload extension stub
 - Easy payload mounting
- External support brackets
 - Permanent vehicle mounting
- Hitch Mount
 - 2" Hitch - Removable



Hurry-Up Models	3-7	5-17	6-25	6.6-30
Extended Height [ft. / m]	6.8 / 2.1	17.3 / 5.3	24.9 / 7.6	29.5 / 9.0
Nested Height [ft. / m]	3.0 / 1.0	5.3 / 1.6	5.9 / 1.8	6.6 / 2.0
Payload Capacity [lb / kg]	20 / 9	20 / 9	20 / 9	20 / 9
Approximate Weight [lb / kg]	15 / 7	19 / 9	29 / 13	36 / 16
Number of Sections	3	4	6	6
Tube Diameter [in. / mm]	3.50-2.625 / 89-67	3.50-2.25 / 89-57	3.50-1.50 / 89-38	3.50-1.50 / 89-38
Collar Type	Friction Locking	Friction Locking	Friction Locking	Friction Locking
Finish	Black Anodize, MIL-A-8625, Type II, Class 2	Black Anodize, MIL-A-8625, Type II, Class 2	Black Anodize, MIL-A-8625, Type II, Class 2	Black Anodize, MIL-A-8625, Type II, Class 2

DEPLOYMENT OPTIONS



Hitch Mount
2" Removable Hitch



Drive-On Plate
No Guylines Required



External Mount
Shelf and Support Brackets



EXPEDITION SERIES RANGER MAST

Extended Heights up to 60 ft. | Payload Capacity up to 40 lb

See
willburt.com
for complete
model range and
accessories

The lightest, most stable, single-man portable field mast in the world

The Will-Burt Expedition Series offers a variety of added features for increased performance and convenience. The system includes a 6 in. [150 mm] diameter payload adapter. The Ranger™ Mast has a large tripod base, making the mast very stable. It is erected with 4 ft. [1.2m] tube sections to heights from 8 to 60 ft. [2.5 to 18.3 m]. A custom payload interface can be designed to fit specific needs. The Expedition Series tripod and mast are constructed of carbon composite material.

- Lighter weight than aluminum
 - Easier to transport and deploy
- Stronger
 - More durable – won't bend or break
- Stiffer
 - More stable for payloads
- Quicker, easier set-up and retraction
 - Faster deployment
- Easier transportability
 - Two compact transport pack options allow you to select the best one to fit your deployment needs
- Large, adjustable tripod
- Friction locks for height adjustment
- Ergonomic tube lifter
- Two highly visible bubble levels
- A full range of interchangeable accessories and payload adaptors are available for the Expedition Series



Specifications | Accessories

Height [m / ft.]	Model #	Deployable Load [lb / kg]	Deployment Method	Deployment Time	System Weight [lb / kg]	Guying [Primary / Secondary]	Wind Survival Speed [mph / km/h]
Ranger Mast Standard Deployment							
60 / 18.3	714076000	5 / 2.3	Manual	20-30 [2-4 persons]	90 / 40.8	Top / Mid Guying Optional	70 / 113 @ 2 sq. ft.
56 / 17.1	714075600	5 / 2.3	Manual	20-30 [2-4 persons]	87 / 39.5	Top / Mid Guying Optional	70 / 113 @ 2 sq. ft.
52 / 15.8	714075200	10 / 4.5	Manual	15-20 [1-3 persons]	84 / 38.1	Top / Mid Guying Optional	70 / 113 @ 2 sq. ft.
48 / 14.6	714074800	10 / 4.5	Manual	15-20 [1-3 persons]	82 / 37.2	Top / Mid Guying Optional	70 / 113 @ 2 sq. ft.
44 / 13.4	714074400	15 / 6.8	Manual	15-20 [1-3 persons]	79 / 35.8	Top / Mid Guying Optional	70 / 113 @ 2 sq. ft.
40 / 12.2	714074000	20 / 9.1	Manual	15-18 [1-3 persons]	73 / 33.1	Top / Mid Guying Optional	70 / 113 @ 2 sq. ft.
36 / 11	714073600	25 / 11.3	Manual	15-18 [1-3 persons]	70 / 31.8	Top / Mid Guying Optional	70 / 113 @ 2 sq. ft.
32 / 9.8	714073200	30 / 13.6	Manual	15-18 [1-3 persons]	68 / 30.8	Top	70 / 113 @ 4 sq. ft.
28 / 8.5	714072800	35 / 15.9	Manual	10-18 [1-2 persons]	65 / 29.5	Top	70 / 113 @ 4 sq. ft.
24 / 7.3	714072400	40 / 18.1	Manual	10-18 [1-2 persons]	63 / 28.6	Top	70 / 113 @ 4 sq. ft.
20 / 6.1	714072000	40 / 18.1	Manual	5-10 [1-2 persons]	60 / 27.2	Top	70 / 113 @ 4 sq. ft.
16 / 4.9	714071600	40 / 18.1	Manual	5-10 [1-2 persons]	58 / 26.3	Top	70 / 113 @ 4 sq. ft.
12 / 3.7	714071200	40 / 18.1	Manual	5-10 [1-2 persons]	56 / 25.4	Top	70 / 113 @ 4 sq. ft.

Ranger Mast with EZ Raze Payload Elevation System							
60 / 18.3	714176000	30 / 13.6	Carriage	20-30 [2-4 persons]	115 / 52.2	Top	70 / 113 @ 1 sq. ft.
56 / 17.1	714175600	35 / 15.9	Carriage	20-30 [2-4 persons]	113 / 51.3	Top	70 / 113 @ 1 sq. ft.
52 / 15.8	714175200	35 / 15.9	Carriage	15-20 [1-3 persons]	110 / 49.9	Top	70 / 113 @ 1.5 sq. ft.
48 / 14.6	714174800	40 / 18.1	Carriage	15-20 [1-3 persons]	108 / 49	Top	70 / 113 @ 1.5 sq. ft.
44 / 13.4	714174400	40 / 18.1	Carriage	15-20 [1-3 persons]	105 / 47.6	Top	70 / 113 @ 2 sq. ft.
40 / 12.2	714174000	40 / 18.1	Carriage	15-18 [1-3 persons]	99 / 44.9	Top	70 / 113 @ 3 sq. ft.
36 / 11	714173600	40 / 18.1	Carriage	15-18 [1-3 persons]	96 / 43.5	Top	70 / 113 @ 4 sq. ft.
32 / 9.8	714173200	40 / 18.1	Carriage	15-18 [1-3 persons]	94 / 42.6	Top	70 / 113 @ 4 sq. ft.
28 / 8.5	714172800	40 / 18.1	Carriage	10-18 [1-2 persons]	91 / 41.3	Top	70 / 113 @ 4 sq. ft.
24 / 7.3	714172400	40 / 18.1	Carriage	10-18 [1-2 persons]	89 / 40.4	Top	70 / 113 @ 4 sq. ft.
20 / 6.1	714172000	40 / 18.1	Carriage	5-10 [1-2 persons]	86 / 39	Top	70 / 113 @ 4 sq. ft.
16 / 4.9	714171600	40 / 18.1	Carriage	5-10 [1-2 persons]	84 / 38.1	Top	70 / 113 @ 4 sq. ft.
12 / 3.7	714071200	40 / 18.1	Carriage	5-10 [1-2 persons]	82 / 37.2	Top	70 / 113 @ 4 sq. ft.

A full range of interchangeable accessories and payload adaptors are available for the Expedition Series
See willburt.com for complete model range



Swivel 4-point Guy Collar



Rigid Guy Collar



EZ-Raze



Cup Holder



Dual, Tri & Quad Arm Collar



Bolster Plate



NATO Plate



Multi-Use Adapter Plate

Center Collar Breach Load



EZ Raze™ System



Mast Tube Lift Winch



ANTENNAMAST MODEL AM2

Extended Heights up to 49.2 ft. | Payload Capacity up to 100 lb

See
willburt.com
for complete
model range and
accessories

The AntennaMast model AM2 is a rugged, lightweight, man-portable, aluminum tripod mast designed for rapid payload deployment. The AM2 is extremely flexible and reliable and is capable of elevating multiple devices on a single mast.

The AntennaMast Model AM2 is available with three different payload deployment options. The EZ Raze™ system with cable winching device and safety brake enables the user to lift and lower heavier payloads in a safe and controlled manner without disassembling the mast system.

The mast tube lift winch provides a mechanical assist for the lifting of the mast tubes for heavier payloads.

The user is also able to elevate the mast tubes and payload by breach loading the tubes through the tripod center collar.

- Rapid set-up
 - Includes a tripod with two (2) built-in levels and large no-slip adjustment knobs that are easy to operate. Interlocking mast tubes allow for directional adjustment of the payload
- Flexible
 - A variety of payload adaptors and accessories are available to accomplish diverse missions
- Simple
 - No tools or special training are needed for deployment
- Rugged
 - Designed to meet MIL-STD-810 for use in a variety of harsh environments
- Durable
 - Components are constructed of aluminum and stainless steel and are covered by a two (2) year warranty
- Complete system
 - AM2 system includes all components needed to safely deploy rated payload at selected height
- Transportable
 - Every mast system comes with a rugged wheeled transport bag designed for easy unloading and loading
- A full range of interchangeable accessories and payload adaptors are available for the AntennaMast

Specifications

Height [m / ft.]	Model #	Deployable Load [lb / kg]	Deployment Method	Deployment Time	System Weight [lb / kg]	Guying [Primary / Secondary]	Wind Survival Speed [mph / km/h]
AM2 Standard Deployment							
49.2 / 15	715061500	20 / 9.1	Manual	20-30 [2-4 persons]	103.6 / 47	Top / Mid Guying Optional	70 / 113 @ 4 sq. ft.
45.9 / 14	715061400	25 / 11.3	Manual	15-20 [1-3 persons]	100.5 / 45.6	Top / Mid Guying Optional	70 / 113 @ 4 sq. ft.
42.7 / 13	715061300	30 / 13.6	Manual	15-20 [1-3 persons]	97 / 44	Top / Mid Guying Optional	70 / 113 @ 4 sq. ft.
39.4 / 12	715061200	35 / 15.9	Manual	15-20 [1-3 persons]	93.8 / 42.5	Top / Mid Guying Optional	70 / 113 @ 4 sq. ft.
36.1 / 11	715061100	40 / 18.1	Manual	15-20 [1-3 persons]	90.5 / 41.1	Top / Mid Guying Optional	70 / 113 @ 4 sq. ft.
32.8 / 10	715061000	50 / 22.7	Manual	15-18 [1-3 persons]	87.3 / 39.6	Top / Mid Guying Optional	70 / 113 @ 6 sq. ft.
29.5 / 9	715060900	55 / 24.9	Manual	15-18 [1-3 persons]	84 / 38.1	Top	70 / 113 @ 6 sq. ft.
26.2 / 8	715060800	55 / 24.9	Manual	15-18 [1-3 persons]	80.8 / 36.7	Top	70 / 113 @ 6 sq. ft.
23 / 7	715060700	60 / 27.2	Manual	10-18 [1-2 persons]	77.6 / 35.2	Top	70 / 113 @ 6 sq. ft.
19.7 / 6	715060600	60 / 27.2	Manual	10-18 [1-2 persons]	74.3 / 33.7	Top	70 / 113 @ 6 sq. ft.
16.4 / 5	715060500	65 / 29.5	Manual	5-10 [1-2 persons]	71 / 32.2	Top	70 / 113 @ 6 sq. ft.
13.1 / 4	715060400	70 / 34	Manual	5-10 [1-2 persons]	67.8 / 30.8	Top	70 / 113 @ 6 sq. ft.
9.8 / 3	715060300	85 / 38.6	Manual	5-10 [1-2 persons]	64.6 / 29.3	Top	70 / 113 @ 6 sq. ft.
6.6 / 2	715060200	100 / 45.4	Manual	5-10 [1-2 persons]	61.3 / 27.8	Top	70 / 113 @ 6 sq. ft.
AM2 with Mast Tube Lift Winch							
49.2 / 15	715071500	20 / 9.1	Lift Winch	20-30 [2-4 persons]	110.6 / 50.2	Top / Mid Guying Optional	70 / 113 @ 4 sq. ft.
45.9 / 14	715071400	25 / 11.3	Lift Winch	15-20 [1-3 persons]	107.5 / 48.8	Top / Mid Guying Optional	70 / 113 @ 4 sq. ft.
42.7 / 13	715071300	30 / 13.6	Lift Winch	15-20 [1-3 persons]	104.5 / 47.4	Top / Mid Guying Optional	70 / 113 @ 4 sq. ft.
39.4 / 12	715071200	35 / 15.9	Lift Winch	15-20 [1-3 persons]	100.8 / 45.7	Top / Mid Guying Optional	70 / 113 @ 4 sq. ft.
36.1 / 11	715071100	40 / 18.1	Lift Winch	15-20 [1-3 persons]	97.5 / 44.2	Top / Mid Guying Optional	70 / 113 @ 4 sq. ft.
32.8 / 10	715071000	50 / 22.7	Lift Winch	15-18 [1-3 persons]	94.3 / 42.8	Top / Mid Guying Optional	70 / 113 @ 6 sq. ft.
29.5 / 9	715070900	55 / 24.9	Lift Winch	15-18 [1-3 persons]	91 / 41.3	Top	70 / 113 @ 6 sq. ft.
26.2 / 8	715070800	55 / 24.9	Lift Winch	15-18 [1-3 persons]	87.8 / 39.8	Top	70 / 113 @ 6 sq. ft.
23 / 7	715070700	60 / 27.2	Lift Winch	10-18 [1-2 persons]	84.6 / 38.4	Top	70 / 113 @ 6 sq. ft.
19.7 / 6	715070600	60 / 27.2	Lift Winch	10-18 [1-2 persons]	81.3 / 36.9	Top	70 / 113 @ 6 sq. ft.
16.4 / 5	715070500	65 / 29.5	Lift Winch	5-10 [1-2 persons]	78 / 35.4	Top	70 / 113 @ 6 sq. ft.
13.1 / 4	715070400	70 / 34	Lift Winch	5-10 [1-2 persons]	74.8 / 33.9	Top	70 / 113 @ 6 sq. ft.
9.8 / 3	715070300	85 / 38.6	Lift Winch	5-10 [1-2 persons]	71.6 / 32.5	Top	70 / 113 @ 6 sq. ft.
6.6 / 2	715070200	100 / 45.4	Lift Winch	5-10 [1-2 persons]	68.3 / 31	Top	70 / 113 @ 6 sq. ft.
AM2 with EZ Raze Payload Elevation System							
49.2 / 15	715071500	20 / 9.1	Lift Winch	20-30 [2-4 persons]	110.6 / 50.2	Top / Mid Guying Optional	70 / 113 @ 4 sq. ft.
45.9 / 14	715071400	25 / 11.3	Lift Winch	15-20 [1-3 persons]	107.5 / 48.8	Top / Mid Guying Optional	70 / 113 @ 4 sq. ft.
42.7 / 13	715071300	30 / 13.6	Lift Winch	15-20 [1-3 persons]	104.5 / 47.4	Top / Mid Guying Optional	70 / 113 @ 4 sq. ft.
39.4 / 12	715071200	35 / 15.9	Lift Winch	15-20 [1-3 persons]	100.8 / 45.7	Top / Mid Guying Optional	70 / 113 @ 4 sq. ft.
36.1 / 11	715071100	40 / 18.1	Lift Winch	15-20 [1-3 persons]	97.5 / 44.2	Top / Mid Guying Optional	70 / 113 @ 4 sq. ft.
32.8 / 10	715071000	50 / 22.7	Lift Winch	15-18 [1-3 persons]	94.3 / 42.8	Top / Mid Guying Optional	70 / 113 @ 6 sq. ft.
29.5 / 9	715070900	55 / 24.9	Lift Winch	15-18 [1-3 persons]	91 / 41.3	Top	70 / 113 @ 6 sq. ft.
26.2 / 8	715070800	55 / 24.9	Lift Winch	15-18 [1-3 persons]	87.8 / 39.8	Top	70 / 113 @ 6 sq. ft.
23 / 7	715070700	60 / 27.2	Lift Winch	10-18 [1-2 persons]	84.6 / 38.4	Top	70 / 113 @ 6 sq. ft.
19.7 / 6	715070600	60 / 27.2	Lift Winch	10-18 [1-2 persons]	81.3 / 36.9	Top	70 / 113 @ 6 sq. ft.
16.4 / 5	715070500	65 / 29.5	Lift Winch	5-10 [1-2 persons]	78 / 35.4	Top	70 / 113 @ 6 sq. ft.
13.1 / 4	715070400	70 / 34	Lift Winch	5-10 [1-2 persons]	74.8 / 33.9	Top	70 / 113 @ 6 sq. ft.
9.8 / 3	715070300	85 / 38.6	Lift Winch	5-10 [1-2 persons]	71.6 / 32.5	Top	70 / 113 @ 6 sq. ft.
6.6 / 2	715070200	100 / 45.4	Lift Winch	5-10 [1-2 persons]	68.3 / 31	Top	70 / 113 @ 6 sq. ft.



CLARK SECTIONAL MASTS

Extended Heights up to 131.2 ft. | Payload Capacity up to 661.3 lb

Will-Burt's Clark Sectional Masts are fully portable mast systems, capable of being transported to wherever there is a requirement, mountain top, jungle or remote desert locations. Packed in a series of carry bags, each designed to be carried by one person (two people for the leg bag), they can be air lifted in or driven in an off-road vehicle.

Designed to be operated in many types of ground conditions, slopes up to 24 degrees are possible, sectional masts are manually operated requiring no power source as the mast sections are fed up through a guide box on 3 adjustable legs using a geared hoist. Guying is essential and the mast operates a system of guys keeping the mast guyed and safe at all times during erection and retraction. This system uses a winch controller system which allows one person to control all 3 guys at once.

Clark's Sectional Mast Systems are field-proven over decades and MIL-STD 810 qualified. Clark requires cost-free training at Clark's factory location on the Isle of Wight, England, with the purchase of a sectional mast system (customer responsible for travel).



Packed Kit

Technical Specifications

- Heights up to 40m
- Payloads up to 300 kg
- Aircraft grade aluminum mast sections
- Field Deployment
- Includes all gear needed for fast and safe deployment
- Deploy with 2 to 4 persons dependent on height of mast
- Carry bags 1 or 2 man lift
- Dry operating temperatures
 - -40°F to 131°F [-40°C to 55°C]



Series 90



TYPE 73



TYPE 72



Series 80



Series 90



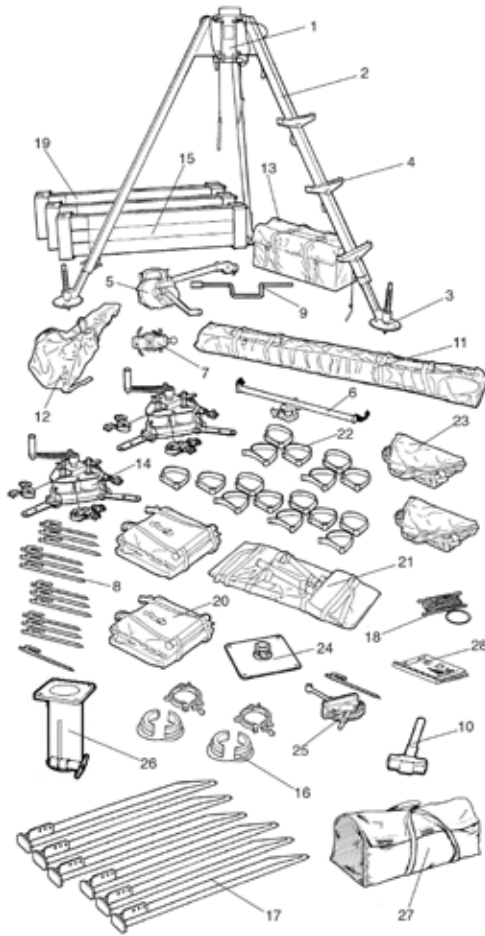
Type 73



Specifications

Standard Type 72 – 15m Mast

The number of mast sections, mast section carriers, pickets, guy collars, spikes and other equipment in the kit varies according to the actual height of the mast to be erected.



Item	Title	Quantity per Kit
1	Mast Guide Box	1
2	Leg Assembly	3
3	Foot Assembly	3
4	Step Assembly	3
5	Hoist	1
6	Hoist Support Bar	1
7	Lifting Block	1
8	Spike	13
9	Foot Adjustment Brace	1
10	1.8 kg Hammer	1
11	Leg Beg	1
12	Hoist Bag	1
13	Equipment Bag	1
14	Guy Winch Kit	2
15	Type 72 Mast Section	16
16	Guy Collar Set	2
17	24" Picket	6
18	Picket Radius Line	1
19	Mast Section Carrier	3
20	Winch BAG	2
21	Accessory Bag	1
22	Feeder Cable Strap	16
23	Guy Winch Cover	2
24	Field Base	1
25	Brake Army Assembly	1
26	Top Flange	1
27	Accessory Bag	1
28	Handbook [not shown]	1

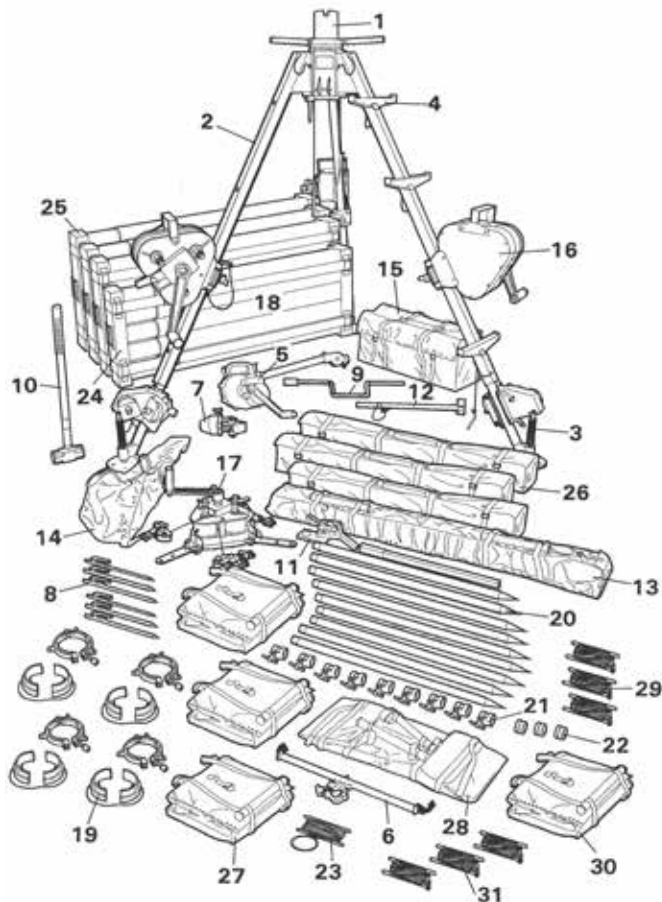
Clark Type 72 Sectional Mast System	72-8	72-10	72-12	72-15	72-18	72-20
Base Tube [in. / mm]	3.00 / 76.2	3.00 / 76.2	3.00 / 76.2	3.00 / 76.2	3.00 / 76.2	3.00 / 76.2
Number of Sections	9	11	13	16	20	22
Extended Height [ft. / m]	27.6 / 8.40	33.5 / 10.20	39.4 / 12.00	48.4 / 14.75	60.4 / 18.40	66.3 / 20.20
Payload Capacity [lb / kg]	121 / 55	110 / 50	99 / 45	88 / 40	77 / 35	66 / 30
System Weight [lb / kg]	325.6 / 148	334.4 / 152	365.2 / 166	420.2 / 191	468.6 / 213	488.4 / 222
Operators Required	2	2	2	3	3	3
Typical Time to Erect [minutes]	15	18	24	32	36	40
Typical Time to Lower and Pack [minutes]	14	16	17	18	19	20

Specifications

Clark Type 73 Sectional Mast System	73-10	73-13	73-16	73-18	73-20	73-24	73-30
Base Tube [in. / mm]	4.00 / 101.6	4.00 / 101.6	4.00 / 101.6	4.00 / 101.6	4.00 / 101.6	4.00 / 101.6	4.00 / 101.6
Number of Sections	7	8	12	13	15	18	23
Extended Height [ft. / m]	34.0 / 10.37	42.0 / 12.81	54.0 / 16.47	58.0 / 17.69	66.0 / 20.13	78.1 / 23.79	98.1 / 29.89
Payload Capacity [lb / kg]	165 / 75	165 / 75	154 / 70	154 / 70	132 / 60	121 / 55	110 / 50
System Weight [lb / kg]	363 / 165	385 / 175	418 / 190	517 / 235	539 / 245	660 / 300	763 / 347
Operators Required	2	2	3	3	3	3	4
Typical Time to Erect [minutes]	18	26	34	36	40	60	70
Typical Time to Lower and Pack [minutes]	14	17	18	20	30	40	40

Standard Type 73 - 18m Mast

The number of mast sections, mast section carriers, pickets, guyl collars, spikes and other equipment in the kit varies according to the actual height of the mast to be erected.



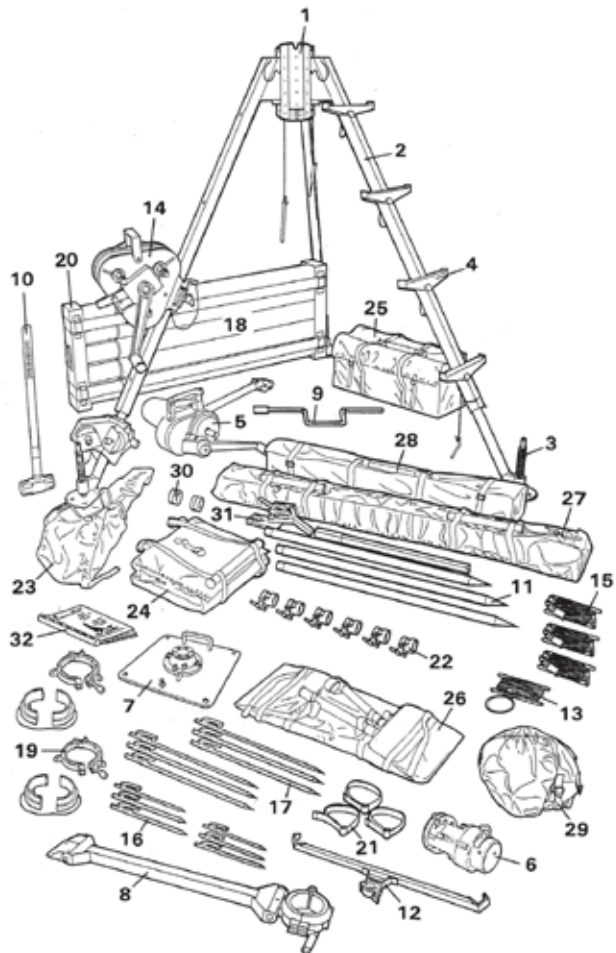
Item	Title	Quantity per Kit
1	Mast Guide Box	1
2	Leg Assembly	3
3	Foot Assembly	3
4	Step Assembly	4
5	Hoist	1
6	Hoist Support Bar	1
7	Lifting Block	1
8	Spike	6
9	Foot Adjustment Brace	1
10	Hammer	1
11	Picket Extractor	1
12	Bubble Level	1
13	Leg Bag	1
14	Hoist Bag [Bag No. 2]	1
15	Equipment Bag	1
16	Guy Winch Kit [Leg Mounted]	3
17	Guy Winch Kit [Ground Mounted]	1
18	Mast Section	23
19	Guy Collar Set	4
20	Picket	9
21	Picket Clamp	9
22	Picket Driving Cap	3
23	Picket Radius Line	1
24	Mast Section Carrier [6 Section]	3
25	Mast Section Carrier [5 Section]	1
26	Picket Bag	3
27	Winch Bag	3
28	Accessory Bag	1
29	18m Guy Extension	3
30	Winch Bag	1
31	12m Guy Extension	3

Specifications

Clark Series 80 Sectional Mast System	80-6	80-10	80-12	80-16	80-18	80-20	80-25	80-30
Base Tube [in. / mm]	5.00 / 127	5.00 / 127	5.00 / 127	5.00 / 127	5.00 / 127	5.00 / 127	5.00 / 127	5.00 / 127
Number of Sections	5	8	10	13	15	17	20	25
Extended Height [ft. / m]	19.7 / 6.00	32.8 / 10.00	39.4 / 12.00	52.5 / 16.00	59.1 / 18.00	65.6 / 20.00	82.0 / 25.00	98.4 / 30.00
Payload Capacity [lb / kg]	275 / 125	275 / 125	275 / 125	264 / 120	264 / 120	264 / 120	242 / 110	242 / 110
System Weight [lb / kg]	468.6 / 213	517 / 235	554.4 / 252	679.8 / 309	704 / 320	723.8 / 329	873 / 397	1001 / 455
Operators Required	2	2	2	3	3	3	3	4
Typical Time to Erect [minutes]	22	32	34	40	44	50	70	80
Typical Time to Lower and Pack [minutes]	16	18	20	22	24	35	45	50

Series 80 - 6m Mast

The number of mast sections, mast section carriers, pickets, guy collars, spikes and other equipment in the kit varies according to the actual height of the mast to be erected.



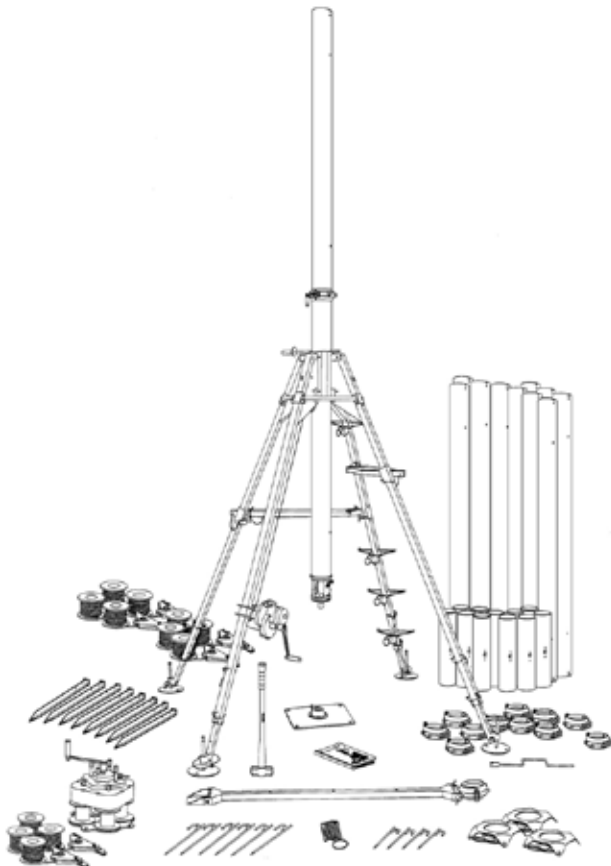
Item	Title	Quantity per Kit
1	Mast Guide Box	1
2	Leg Assembly	3
3	Foot Assembly	3
4	Step Assembly	4
5	Hoist Assembly	1
6	Lifting Block Assembly	1
7	Base Assembly	1
8	Brake Arm	1
9	Foot Adjustment Brace	1
10	3.2 kg Hammer	1
11	1 meter Picket	3
12	Hoist Support Bar	1
13	Picket Radius Line	1
14	Guy Winch Kit [Leg Mounted]	1
15	Kevlar Guy Assembly	3
16	14" Spike	6
17	24" Spike	6
18	Mast Section	5
19	Guy Collar Assembly	2
20	Mast Section Carrier	1
21	Feeder Cable Strap	3
22	Picket Clamp	3
23	Hoist Bag	1
24	Winch Bag	1
25	Equipment Bag	1
26	Accessory Bag	1
27	Leg Bag	1
28	Picket Bag	1
29	Winch Protection Cover	1
30	Picket Driving Cap	2
31	Picket Extractor	1
32	User's Handbook	1

Specifications

Clark Series 90 Sectional Mast System	90-10	90-16	90-20	90-24	90-30	90-40	80-30
Base Tube (in. / mm)	6.00 / 152.4	6.00 / 152.4	6.00 / 152.4	6.00 / 152.4	6.00 / 152.4	6.00 / 152.4	6.00 / 152.4
Number of Sections	5	8	10	12	15	20	25
Extended Height (ft. / m)	32.8 / 10.00	52.5 / 16.00	65.6 / 20.00	78.7 / 24.00	98.4 / 30.00	131.2 / 40.00	164 / 50.00
Payload Capacity (lb / kg)	660 / 300	616 / 280	550 / 250	506 / 230	440 / 200	220 / 100	110 / 50
Guy Levels (4-way)	1	2	2	3	3	4	5
Operators Required	2	2	3	3	3	3	4
Typical Time to Erect (minutes)	32	34	40	44	50	70	80
Typical Time to Lower and Pack (minutes)	18	20	22	24	35	45	50

Series 90 - 10m Mast

The number of mast sections, mast section carriers, pickets, guy collars, spikes and other equipment in the kit varies according to the actual height of the mast to be erected.



Sectional Masts System Components [varies by model]



The guy winch unit allows control of three guys by one person simultaneously or individually. **[4-way guy winch for Series 90 shown above]**



Mast hoist for raising the mast sections, geared for ease of operation and only reversed by push button brake with automatic centrifugal descent control brake.



Angled steel picket complete with shackles for attaching the snaphook of the guy pulley from the switch.



Large foot assembly for levelling the mast on sloping ground. The foot has holes for ground spikes.



Guy winch unit [shown leg mounted but can also be ground mounted]. This allows control of three guys by one person simultaneously or individually.



Tubular picket with guy pulley attached. Tubular pickets can be driven into the ground and the guy wire is attached at the best height regardless of ground conditions.



The brake arm assembly secures the mast assembly in the desired direction.

Sectional Masts Optional Accessories [Contact factory for compatibility]



Light Antenna Tilter

A mast head fitting operated from the ground by a special ball rope to tilt antennas up or down 20°. Suitable for antennas up to 10 kg.



Light Antenna Rotator

Fits on the mast top and is operated from ground by ball rope. 360° rotation. Essential if a mast carries two antennas which need to be pointed independently. Suitable for antennas up to 10 kg.



Winch Protection Cover

When fitted protects the guy winch unit from rain, snow and ice.



Flanged Antenna Spigot

Adapts the mast top flange fitting to give a spigot for antenna attachment.



Antenna Rotator

Fits on the mast top and is operated from ground by ball rope. 360° rotation. Essential if a mast carries two antennas which need to be pointed independently.



Mast Top Flange Fitting

Fits over the top section of the mast giving a mounting flange 152mm².



Antenna Tilt Unit

A mast head fitting operated from the ground by a special ball rope to tilt antennas up or down 20°.



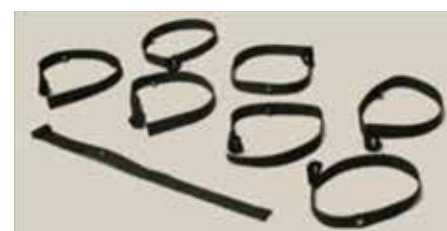
Lightning Protection Kit

A range of solutions are available to suit customer requirements.



Side Mounting Adapter

A general purpose attachment. The Adapter clamps directly round the mast section. Standard antenna spigot 40 mm diameter.



Feeder Cable Strap

A simple and effective way of securing feeder cables to the mast.

SCREW DRIVE

Designed for manual or motorized operation, Will-Burt's QEAM [Quick Erecting Antenna Mast] Family of lightweight composite or aluminum masts elevate light payloads for ground-mounted or vehicle, trailer and shelter deployment.

Will-Burt's Screw Drive QEAM is a lightweight, high strength telescopic mast that offers a rigid, stable platform for elevating critical payloads.

- Easy manual crank up
 - Reliable deployment without power
- Automatic locking collars
 - Locks at any desired height
 - Patented latch mechanism
- Standard ground mounting kits with guylines and transport bag included
- Optional vehicle and shelter mounting kits available



QUICK ERECTING ANTENNA MAST [QEAM]

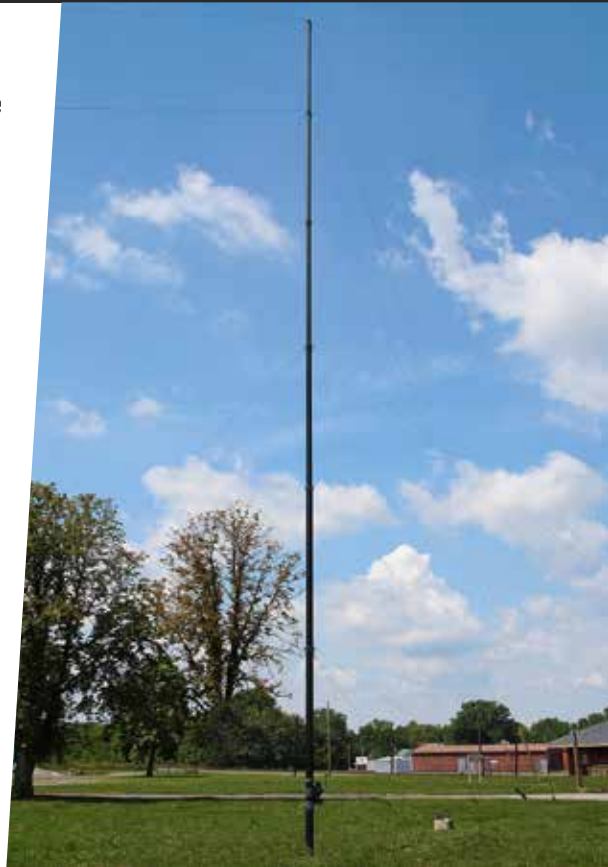
Extended Heights up to 112 ft. | Payload Capacity up to 180 lb

Screw Drive and Strap Drive Models

STRAP DRIVE

The Strap Driven QEAM uses an internal strap wound between tube sections for mast elevation. Designed for manual operation, The Strap Drive QEAM has heavier payload weight-lifting capability, and is available in 21, 25, 30 and 34 meter heights.

- Maintains azimuth – minimal twist deflection
 - Reliable full-length external keyways
- Positions payload at any height
 - Automatic locking collars – patented latch system
- Manual mechanical drive
 - Reliable deployment without power
- Automatic locking collars
 - Locks at any desired height with patented latch mechanism
- Mechanical stops
- Prevents over-extension
- Full length keys on sections
 - Prevents twist
- Maintenance free
 - Polymer drive nuts require no greasing
- Built in cable management
 - Cable loops added at collars
- Corrosion resistant
 - All parts are anodized aluminum & stainless steel
 - Drive crank is a completely sealed mechanism



Specifications

QEAM Models	TM 10 [Aluminum]	TM 21	TM 25	TM 30	TM 34
Extended Height [ft. / m]	32.8 / 10	68.9 / 21	82 / 25	98.4 / 30	112 / 34
Nested Height [ft. / m]	8 / 2.4	14.6 / 4.45	14.8 / 4.5	19.3 / 5.9	19 / 5.8
Payload Capacity [lb / kg]	15 / 7	180 / 80	150 / 68	150 / 68	110 / 50
Weight [Mast Only] [lb / kg]	42 / 19	197 / 90	220 / 100	250 / 114	265 / 121
Weight [Accessory Kit] [lb / kg]	52 / 24	245 / 111	275 / 125	275 / 125	275 / 125
Number of Sections	5	6	7	6	7
Guying	2 level / 3 way	4 level / 4 way	5 level / 4 way	5 level / 4 way	5 level / 4 way
Ice load [in. / mm]	0.5 / 12	0.5 / 12	0.5 / 12	0.5 / 12	0.5 / 12
Maximum Erection Wind* [mph / km/h]	25 / 40	25 / 40	25 / 40	25 / 40	25 / 40
Operational Wind [mph / km/h]	60 / 97	60 / 97	60 / 97	60 / 97	60 / 97
Survival Wind [mph / km/h]	80 / 128	80 / 128	80 / 128	80 / 128	80 / 128
Surface Mounting	±15° slope	±15° slope	±15° slope	±15° slope	±15° slope
Deployment Time	2 persons, 7.5 min	3 persons, 25 min	3 persons, 30 min	3 persons, 30 min	3 persons, 30 min
Drive System	Screw Drive	Strap Drive	Strap Drive	Strap Drive	Strap Drive
Maximum Sail Area [ft. ² / m ²]	6 / 0.6 CD=1.5	6 / 0.6 CD=1.5	6 / 0.6 CD=1.5	6 / 0.6 CD=1.5	6 / 0.6 CD=1.5
Finish	CARC Green	MIL-A-8625 Type II, CL 2 Black	MIL-A-8625 Type II, CL 2 Black	MIL-A-8625 Type II, CL 2 Black	MIL-A-8625 Type II, CL 2 Black

Please contact Will-Burt Engineering for current and exact specifications. *Must be guyed for wind speeds over 25 mph / 40km/h



CONTACT YOUR SALES REPRESENTATIVE TODAY



Contact Us
Complete a Contact Form

WILL-BURT NORTH AMERICA
WORLD HEADQUARTERS

401 Collins Boulevard, Orrville, OH 44667 USA
Telephone: +1 330 682 7015
Mast Customer Service: +1 330 684 4000
Fax: +1 330 684 1190
Email: info@willburt.com

WILL-BURT
UNITED KINGDOM

Unit 5b, Station Approach, Four Marks,
Alton Hampshire, GU34 5HN, United Kingdom
Telephone: +44 (0) 1403 265532
Fax: +44 (0) 1403 259072
Email: info@willburt.com

WILL-BURT INTEGRATION
ALUMA TOWER | ITS

7750 9th Street SW
Vero Beach, FL 32968 USA
Telephone: +1 772 567 3423 | +1 800 850 8535
Fax: +1 772 567 3432
Aluma Tower Email: info@alumatawer.com
ITS Email: programs@itstowers.com

WILL-BURT ASIA
SINGAPORE SALES OFFICE

1 Fullerton Road, #02-01
One Fullerton, Singapore 049213
Telephone: +65 6832 5689
Fax: +65 6722 0664
Email: info@willburt.com

WILL-BURT
GERMANY

Fischerergasse 25
D-91344 Waischenfeld, Germany
Telephone: +49 9202 180
Fax: +49 9202 1811
Email: info@willburt.com

CLARK MASTS
A WILL-BURT COMPANY

18-20 Ringwood Road, Binstead,
Isle of Wight, PO33 3PA, England
Telephone: +44 (0) 1983 563691/567090
Fax: +44 (0) 1983 566643/811157
E-mail: sales@clarkmasts.com

The Will-Burt Company, headquartered in Orrville, Ohio, USA, is the world's premier manufacturer of mobile telescoping masts, towers and pan and tilt positioners. We offer virtually every mobile payload elevation and integration solution for defense, government, first responders, cellular and mobile, broadcast, energy production and other markets. Will-Burt also offers contract manufacturing, metal fabrication, powder-coating, and rapid prototyping services. Will-Burt is an international company with offices and manufacturing in the USA, England, and Germany along with offices in Singapore. All Will-Burt Company manufacturing locations are backed by a certified ISO 9001:2015 Quality Management System. Incorporated in 1918, Will-Burt is 100% employee-owned and is classified as a small business.

*Disclaimer: Dimensions and weights are for reference only and are subject to change.
Please contact Will-Burt for current engineering specifications.*



Will-Burt Terms and Conditions of Sale:
<https://www.willburt.com/support/service/will-burt-terms-conditions-of-sale/>

© January, 2026
The Will-Burt Company
ISO 9001:2015
INNOVATION ELEVATED®