



NIGHT SCAN LED UPGRADE KITS





NEW LED LIGHTS

OLD HALOGEN LIGHTS

LED UPGRADE KITS

New life for your trusted Night Scan light tower

Your apparatus's Night Scan light tower has been there through thick and thin, providing light on the darkest nights and most challenging scenes. You rely on it for your crew's safety and to get the job done right. But those quartz halogen lights....

We get it, you can no longer trust those halogen bulbs, they just do not last as long as they used to. You want the latest Night Scan with all of its modern tech and those LED lights that are so bright and seem to last forever, but it's just not in the budget right now.

We have just the thing to get extra life and LIGHT out of your Night Scan, an LED Scene Light Upgrade Kit. We have an upgrade kit for nearly every Night Scan we have ever made.

Give us a call and we can help you through the simple process of upgrading your Night Scan.

Available for Do-It-Yourself or Will-Burt Factory Service installation.



W3 WILL-BURT



140 150 200 300 480

nightscan®



X 200



Atherion



Sirion

WHELEN®



Pioneer Plus™
Spot / Flood

HOW-TO DETERMINE THE CORRECT LED UPGRADE KIT

1. Send us a photo of the RCP unit [box at top of mast where lights connect].
2. Send us the part number [begins with NS] and model [9 digit number] from the data plate located near the base of the mast.

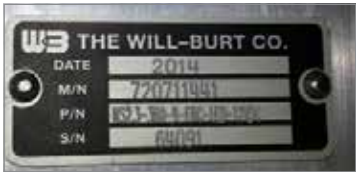
Model Number: _____

NS Part Number: _____

3. Determine maximum total width and maximum height from top of RCP available for new light package. Is the unit in a well? Are there other obstructions? LED light fixtures are often wider than halogen fixtures. [Contact Will-Burt for light options and specifications]

Maximum width: _____

Maximum height from top of RCP when stowed: _____



Submit Model number and NS part number

Determine maximum width and height from top of RCP

4. Call Will-Burt to review your options and place your order: 330-684-4000.



Send in a photo of the RCP unit

Maximum of 4 lights available for Powerlite models prior to 2013.

Available for do-it-yourself or Will-Burt Factory Service installation.

2 lights available for Chief models prior to 2010.

nightscan®

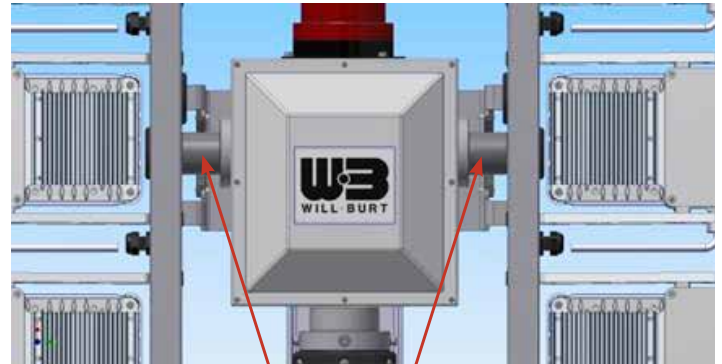
W3 WILL-BURT

WHELEN®

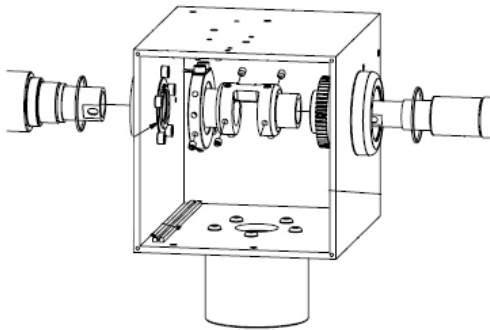
SOLID SHAFT IDENTIFICATION

Look for:

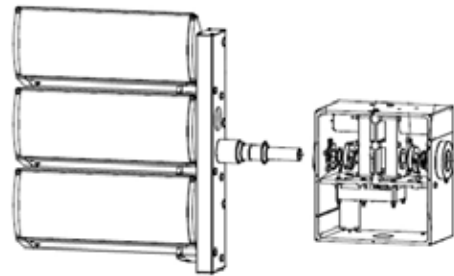
- Square, convex plastic covers
- Solid Shafts



Shaft is connected internally – No visible screws



Solid Shaft – NS Chief



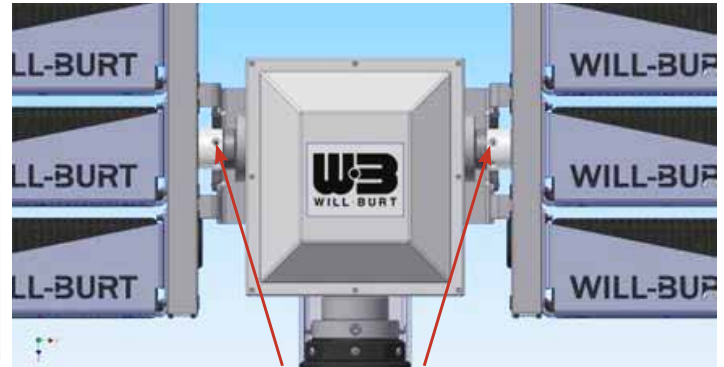
Solid Shaft – NS Powerlite

Brand	Model	Light Warranty	Volts	Number of Lights	Total Lumens	Total Watts	Chief 1.8	Chief 2.3	*Powerlite	*Vertical	RCP Style
Will-Burt	WB 300	2 Years	120/240	2	90,000	600			x	x	Shaft
Will-Burt	WB 480	2 Years	120/240	2	144,000	960			x	x	Shaft
Will-Burt	WB 140	5 Years	12/24	2	28,000	100	x	x			Shaft
Will-Burt	WB 140	5 Years	12/24	4	56,000	200	x	x			Shaft
Will-Burt	WB 140	5 Years	12/24	4	56,000	200	x	x	x	x	Shaft
Night Scan	X 200	Lifetime	12/24	2	40,000	250	x	x			Shaft
Night Scan	X 200	Lifetime	12/24	4	80,000	500	x	x			Shaft
Night Scan	X 200	Lifetime	12/24	4	80,000	500	x	x	x	x	Shaft
Night Scan	X 200	Lifetime	12/24	6	120,000	750			x	x	Shaft
Night Scan	Sirion	Lifetime	120/240	2	220,000	1200			x	x	Shaft
Whelen	Pioneer Plus Spot/Flood	Lifetime	120	4	113,520	600	x	x	x	x	Shaft
Whelen	Pioneer Plus Spot/Flood	Lifetime	120	6	170,280	900			x	x	Shaft

COLLAR SHAFT IDENTIFICATION

Look for:

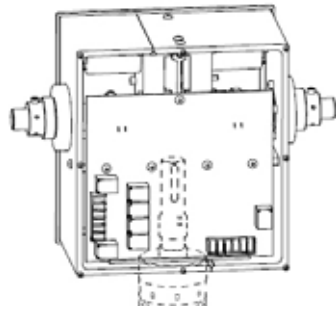
- Square, convex plastic covers
- Collar Shafts



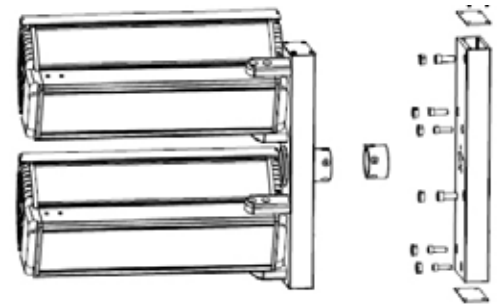
Collar has screws



Collar Shaft - NS Chief



Collar Shaft - NS Powerlite

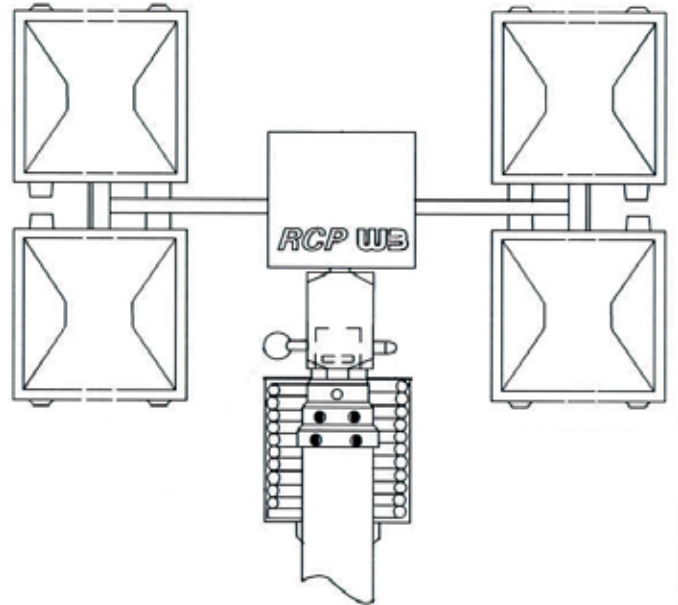
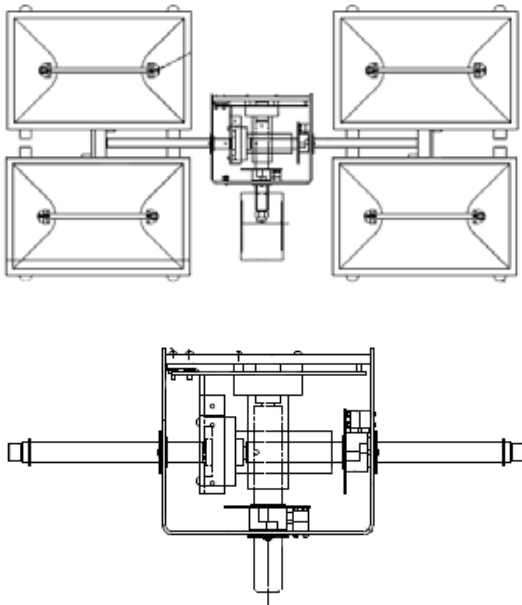


Brand	Model	Light Warranty	Volts	Number of Lights	Total Lumens	Total Watts	Chief 1.8	Chief 2.3	*Powerlite	*Vertical	RCP Style
Whelen	Pioneer Plus Spot/Flood	Lifetime	12	2	40,032	300	x	x			Collar
Whelen	Pioneer Plus Spot/Flood	Lifetime	12	4	80,064	600	x	x			Collar
Will-Burt	WB 140	5 Years	12/24	2	28,000	100	x	x			Collar
Will-Burt	WB 140	5 Years	12/24	4	56,000	200	x	x	x	x	Collar
Night Scan	X 200	Lifetime	12/24	2	40,000	250	x	x			Collar
Night Scan	X 200	Lifetime	12/24	4	80,000	500	x	x	x	x	Collar
Whelen	Pioneer Plus Spot/Flood	Lifetime	24	2	37,968	300	x	x			Collar
Whelen	Pioneer Plus Spot/Flood	Lifetime	24	4	75,936	600	x	x	x	x	Collar
Whelen	Pioneer Plus Spot/Flood	Lifetime	120	2	56,760	300	x	x			Collar
Whelen	Pioneer Plus Spot/Flood	Lifetime	120	4	113,520	600	x	x	x	x	Collar
Will-Burt	WB 200	2 Years	120/240	2	70,000	400		x	x	x	Collar

APPLETON SHAFT IDENTIFICATION

Look for:

- Old Style flat RCP covers
- Solid Shafts

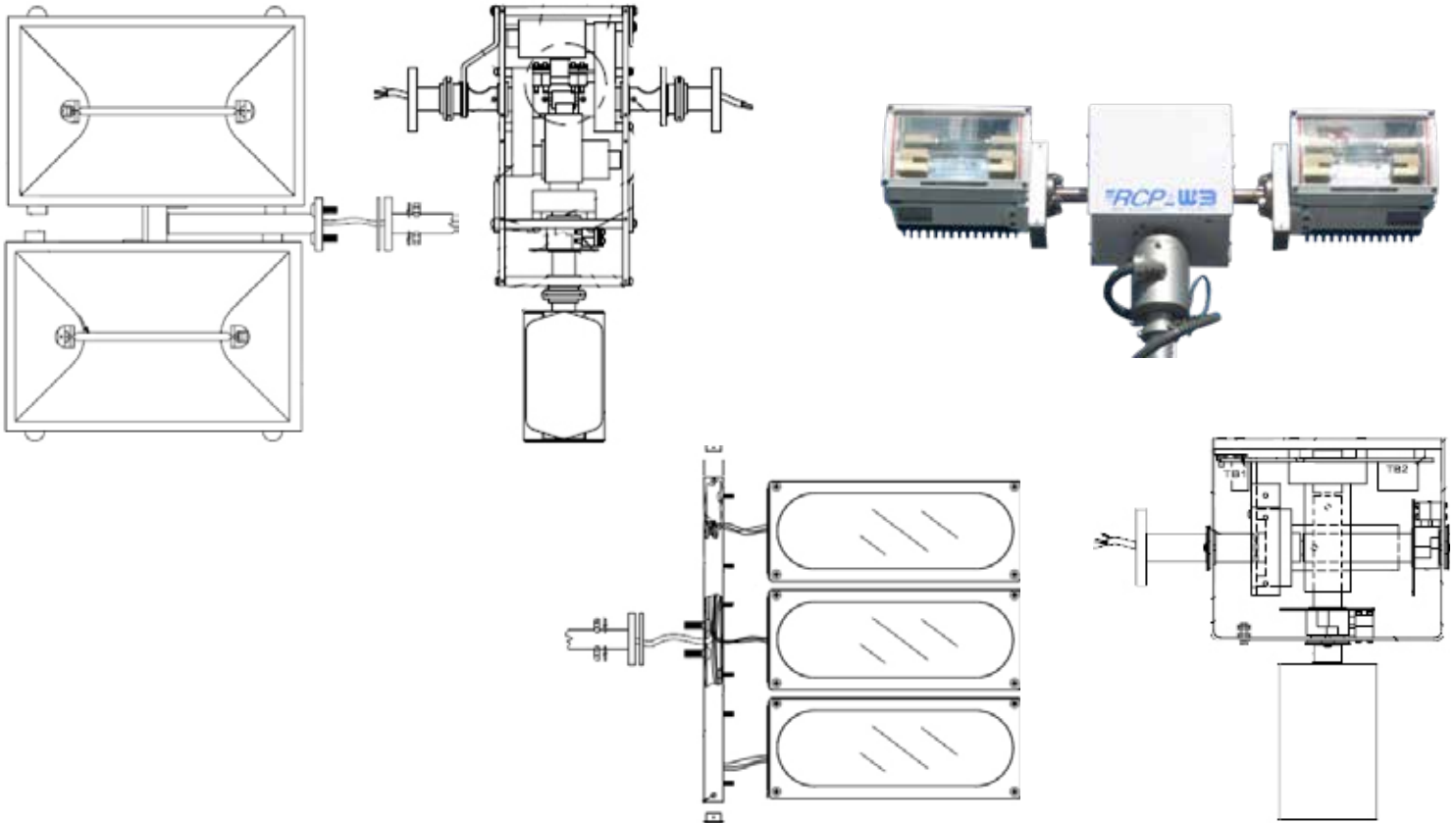


Brand	Model	Light Warranty	Volts	Number of Lights	Total Lumens	Total Watts	*Powerlite	*Vertical	RCP Style
Will-Burt	WB 150	2 Years	120/240	2	45,000	300	x	x	Apple Shaft
Will-Burt	WB 300	2 Years	120/240	2	90,000	600	x	x	Apple Shaft
Will-Burt	WB 140	5 Years	12/24	2	28,000	100	x	x	Apple Shaft
Will-Burt	WB 140	5 Years	12/24	4	56,000	200	x	x	Apple Shaft
Night Scan	X 200	Lifetime	12/24	2	40,000	250	x	x	Apple Shaft
Night Scan	X 200	Lifetime	12/24	4	80,000	500	x	x	Apple Shaft

FLANGE SHAFT IDENTIFICATION

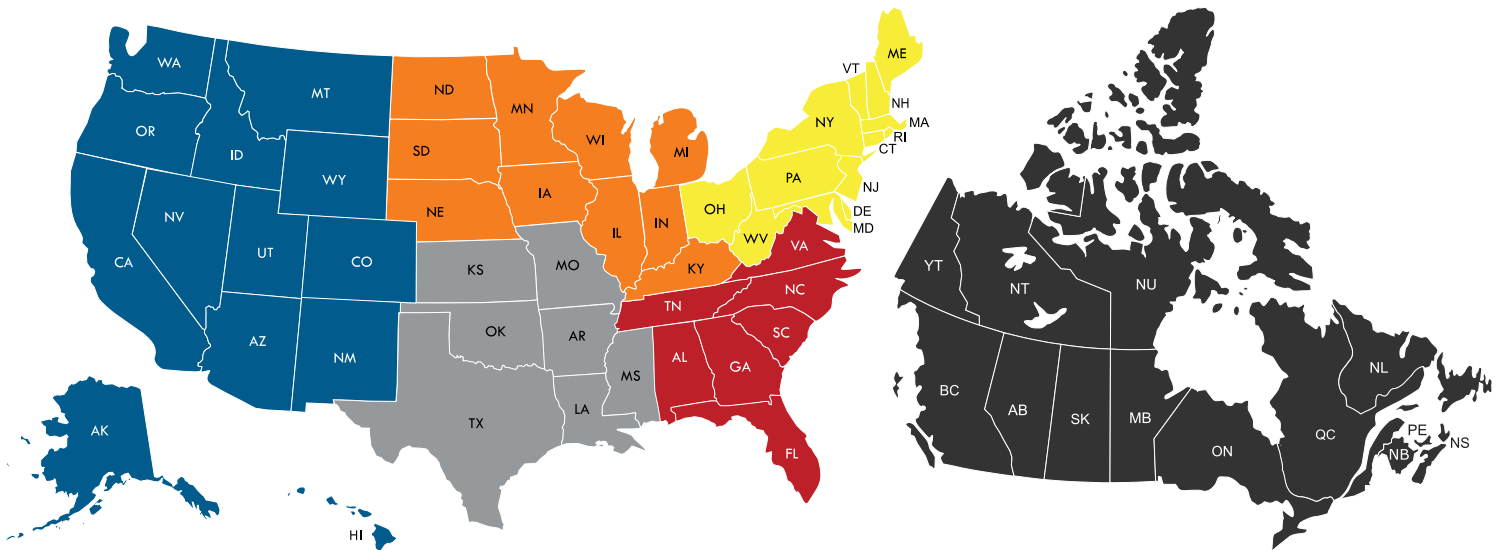
Look for:

- Old Style flat RCP covers
OR Skull Shaped RCP
- Flanged Shafts



Brand	Model	Light Warranty	Volts	Number of Lights	Total Lumens	Total Watts	*Powerlite	*Vertical	RCP Style
Will-Burt	WB 150	2 Years	120/240	2	45,000	300	x	x	Flange Shaft
Will-Burt	WB 300	2 Years	120/240	2	90,000	600	x	x	Flange Shaft
Whelen	Pioneer Plus Spot/Flood	Lifetime	120	4	113,520	600	x	x	Flange Shaft
Will-Burt	WB 140	5 Years	12/24	2	28,000	100	x	x	Flange Shaft
Will-Burt	WB 140	5 Years	12/24	4	56,000	200	x	x	Flange Shaft
Night Scan	X 200	Lifetime	12/24	2	40,000	250	x	x	Flange Shaft
Night Scan	X 200	Lifetime	12/24	4	80,000	500	x	x	Flange Shaft

CONTACT YOUR SALES REPRESENTATIVE TODAY



TIM COOPER

Regional Sales Manager
West
Mobile: 720.908.0724
tcooper@willburt.com

JUSTIN MAJZEL

Regional Sales Manager
North Central
Mobile: 330.749.6134
jmajzel@willburt.com

MICHAEL SANCHEZ

Regional Sales Manager
East Central
Mobile: 330.347.7168
msanchez@willburt.com

DREW NEWMAN

Director of Lighting Sales
Americas – Canada
Sales Manager – Canada
Mobile: 330.347.3134
dnewman@willburt.com

TRAPPER MEADORS

Regional Sales Manager
South Central
Mobile: 330.347.6744
omeadors@willburt.com

KEITH BOUSQUET

Regional Sales Manager
Southeast
Mobile: 252.623.9084
kbousquet@willburt.com

ANDREW CAPOZELLA

Key Account Manager
Office: 330.684.5298
Mobile: 330.347.6178
acapozella@willburt.com

WILL-BURT NORTH AMERICA WORLD HEADQUARTERS

401 Collins Boulevard, Orrville, OH 44667 USA
Telephone: +1 330 682 7015
Mast Customer Service: +1 330 684 4000
Fax: +1 330 684 1190
Email: info@willburt.com

WILL-BURT INTEGRATION ALUMA TOWER | ITS

7750 9th Street SW
Vero Beach, FL 32968 USA
Telephone: +1 772 567 3423 | +1 800 850 8535
Fax: +1 772 567 3432
Aluma Tower Email: info@alumatawer.com
ITS Email: programs@itstowers.com

WILL-BURT GERMANY

Fischergasse 25
D-91344 Waischenfeld, Germany
Telephone: +49 9202 180
Fax: +49 9202 1811
Email: info@willburt.com

WILL-BURT UNITED KINGDOM

Unit 5b, Station Approach, Four Marks,
Alton Hampshire, GU34 5HN, United Kingdom
Telephone: +44 (0) 1403 265532
Fax: +44 (0) 1403 259072
Email: info@willburt.com

WILL-BURT ASIA SINGAPORE SALES OFFICE

1 Fullerton Road, #02-01
One Fullerton, Singapore 049213
Telephone: +65 6832 5689
Fax: +65 6722 0664
Email: info@willburt.com

CLARK MASTS A WILL-BURT COMPANY

18-20 Ringwood Road, Binstead,
Iste of Wight, PO33 3PA, England
Telephone: +44 (0) 1983 563691/567090
Fax: +44 (0) 1983 566643/811157
E-mail: sales@clarkmasts.com

The Will-Burt Company, headquartered in Orrville, Ohio, USA, is the world's premier manufacturer of mobile telescoping masts, towers and pan and tilt positioners. We offer virtually every mobile payload elevation and integration solution for defense, government, first responders, cellular and mobile, broadcast, energy production and other markets. Will-Burt also offers contract manufacturing, metal fabrication, powder-coating, and rapid prototyping services. Will-Burt is an international company with offices and manufacturing in the USA, England, and Germany along with offices in Singapore. All Will-Burt Company manufacturing locations are backed by a certified ISO 9001:2015 Quality Management System. Incorporated in 1918, Will-Burt is 100% employee-owned and is classified as a small business.

Disclaimer: Dimensions and weights are for reference only and are subject to change. Please contact Will-Burt for current engineering specifications.



Will-Burt Terms and Conditions of Sale:
<https://www.willburt.com/support/service/will-burt-terms-conditions-of-sale/>

February, 2026
The Will-Burt Company
ISO 9001:2015
INNOVATION ELEVATED®