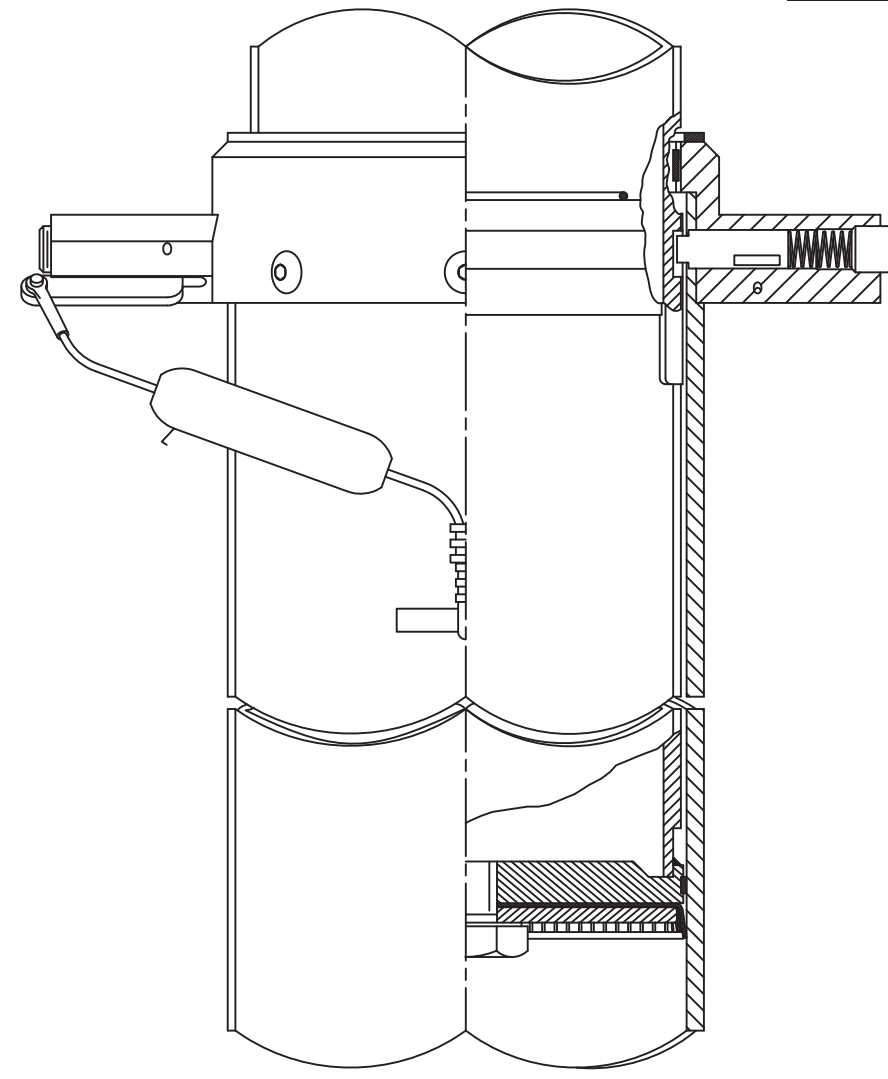
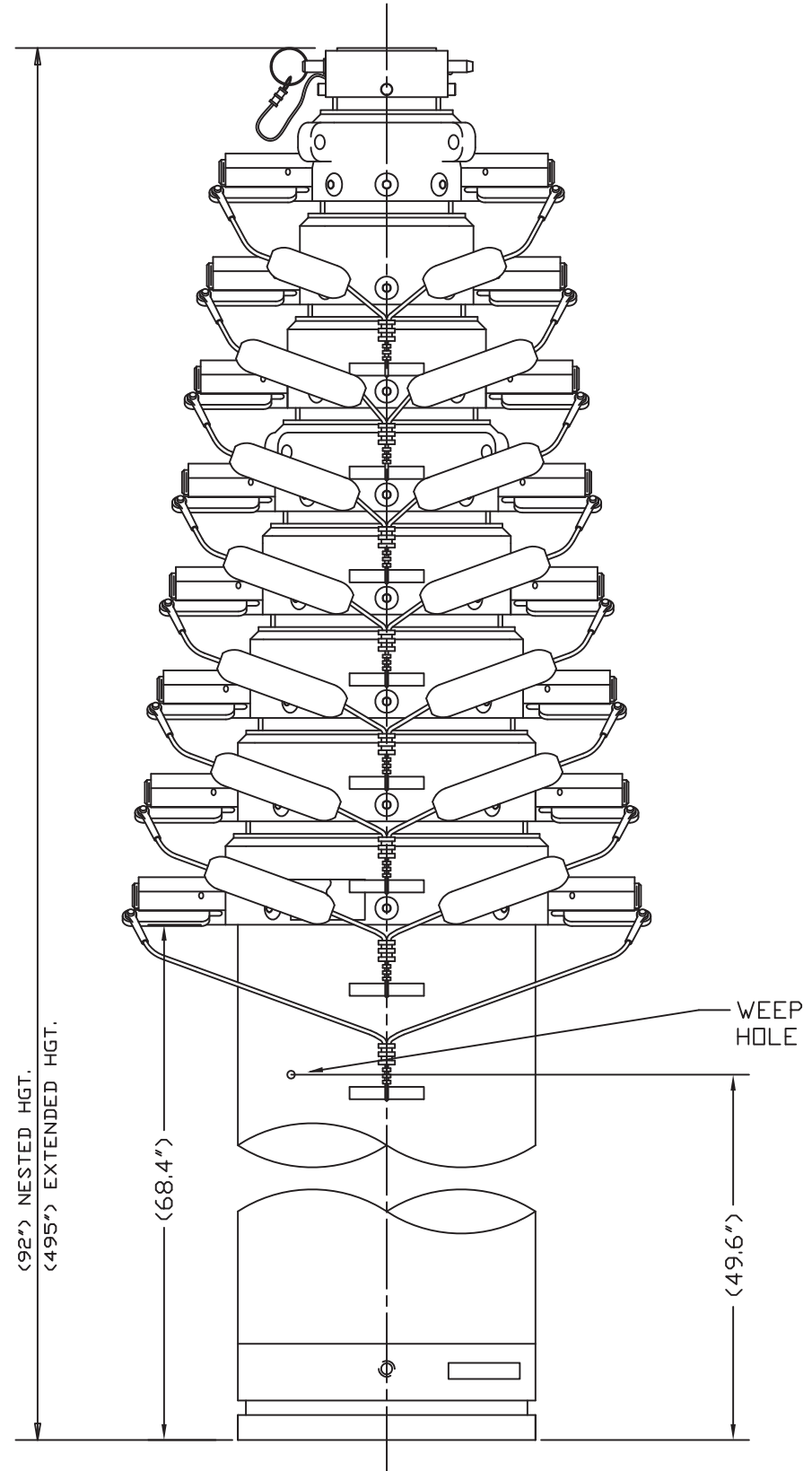



REVISIONS				
ECN	REV	DESCRIPTION	DATE	BY/APPVL
8308	D	SEE ECN	6/16/06	Msmith/
8302	E	CHANGE NOTE #7	7/24/06	KN/
9367	F	CHANGED P/N FOR ITEM 84	12/16/08	PCD/



MATERIAL	SEE BOM ABOVE	UNLESS OTHERWISE SPECIFIED DIMENSIONS ARE IN INCHES	TOLERANCES IN DECIMALS 0 = ± 00 = ± 000 = ±	ANGLES ± 1/2°	THIS DOCUMENT CONTAINS PROPRIETARY INFORMATION AND SHALL NOT BE USED OR REPRODUCED OR ITS CONTENTS DISCLOSED IN WHOLE OR IN PART, WITHOUT THE PRIOR WRITTEN CONSENT OF THE WILL-BURT COMPANY.	 AN EMPLOYEE OWNED COMPANY ORRVILLE, OHIO					
	FINISH						CLEAR ANODIZE	BREAK ALL SHARP CORNERS 1/2" ON ALL MACHINED SURFACES	<table border="1"> <tr> <td>SIGNATURE</td> <td>DATE</td> </tr> <tr> <td>DR. BY DMW</td> <td>10-16-98</td> </tr> <tr> <td>CK. BY DMW</td> <td>10-17-98</td> </tr> <tr> <td>APP. BY SB</td> <td>10-18-98</td> </tr> </table>	SIGNATURE	DATE
SIGNATURE	DATE										
DR. BY DMW	10-16-98										
CK. BY DMW	10-17-98										
APP. BY SB	10-18-98										
<table border="1"> <tr> <td>SIZE</td> <td>DWG. No.</td> <td>DESC.</td> </tr> <tr> <td>B</td> <td>B-1611</td> <td>PNEU MAST 7-42 HDL CE</td> </tr> </table>						SIZE	DWG. No.	DESC.	B	B-1611	PNEU MAST 7-42 HDL CE
SIZE	DWG. No.	DESC.									
B	B-1611	PNEU MAST 7-42 HDL CE									
<table border="1"> <tr> <td>SCALE</td> <td>906045</td> <td>SHEET 1 OF 1</td> </tr> </table>						SCALE	906045	SHEET 1 OF 1			
SCALE	906045	SHEET 1 OF 1									