

4

3

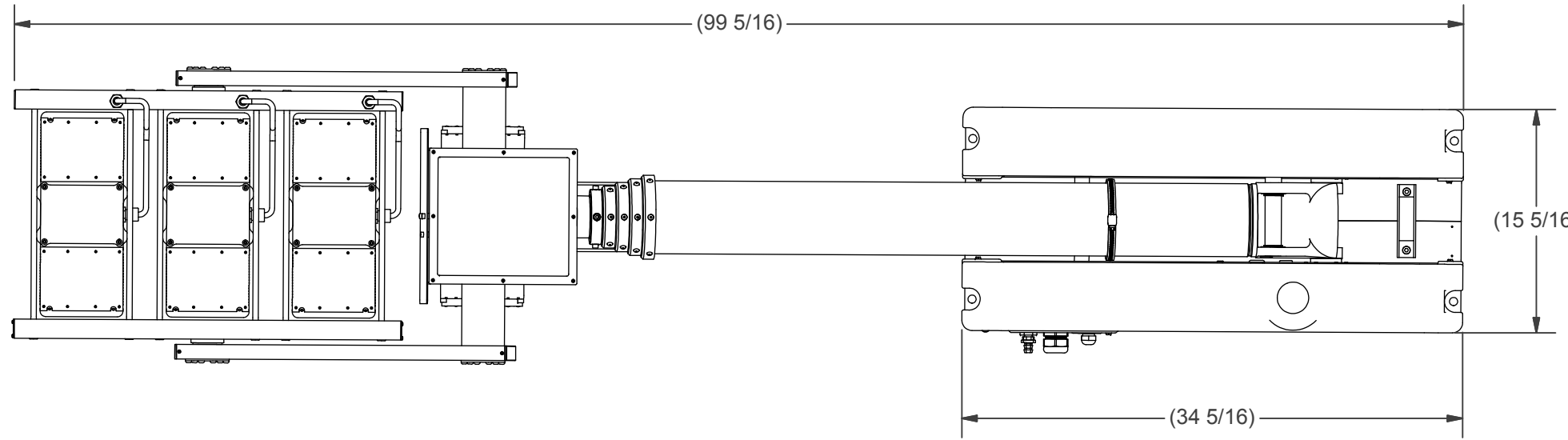
2

1

REVISION HISTORY				
ECN	REV	DESCRIPTION	DATE	APPROVED
11966	00	INITIAL RELEASE	1/23/2014	RCC

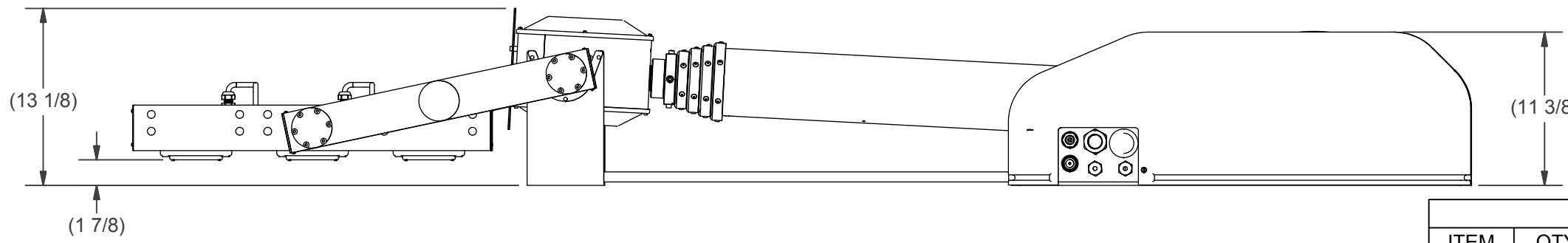
B

B



A

A



BOM			
ITEM	QTY	PART NUMBER	DESCRIPTION
1	1	4822601	BASE ASM POWERLITE PROFILER15 FT CLR
2	1	4834001	PROFILER 690W SPC LED 120V
3	1	4706703	LABEL KIT-CLEAR CE (NOT SHOWN)
4	1	4807801	KIT, SHIPPING NSP (NOT SHOWN)
5	1	5026701	CRATE, INFLX, PROFILER PLUS
6	1	TP-4723701	NSP MANUAL CD (NOT SHOWN)
7	1	WD-721020	WIRING DIAGRAM
8	1	5026701	CRATE, EXPORT, INFLEXION & PROFILER

UNLESS OTHERWISE SPECIFIED DIMENSIONS ARE IN INCHES.
 TOLERANCES ON DECIMALS ANGLES
 0 = ± 0.030 ± 1/2°
 00 = ± 0.010
 000 = ± 0.005
 FRACTIONAL ± 1/64"
 1. ALL INSIDE EDGES TO HAVE .005" TO .035" FILLETS.
 2. ALL OUTSIDE EDGES TO HAVE .005" TO .015" CHAMFER OR RADIUS.
 125√ ON ALL MACHINED SURFACES

PROPRIETARY AND CONFIDENTIAL
 THE INFORMATION CONTAINED IN THIS DRAWING IS THE SOLE PROPERTY OF THE WILL-BURT COMPANY ANY REPRODUCTION IN PART OR WHOLE WITHOUT THE WRITTEN PERMISSION OF THE WILL-BURT COMPANY IS PROHIBITED.



TITLE
NS 4.5 690 3X230w SPC PROFILER 115V WHT

APPROX. WT:N/A
 THIRD ANGLE PROJECTION

APPROVALS	DATE
DRAWN RCC	1/23/2014
CHECKED	

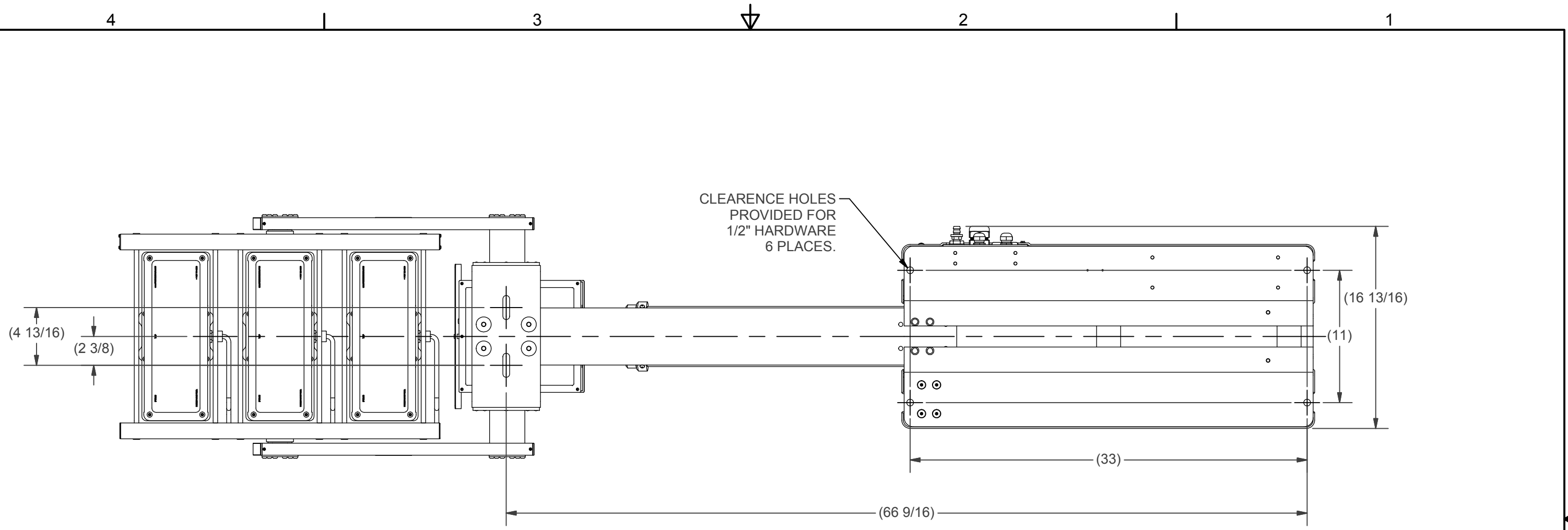
SIZE	DWG NO	REV
B	721520011	00
PN: 721520011		SHEET 1 OF 2

4

3

2

1



**BOTTOM VIEW
MOUNTING BOLT PATTERN**

APPROX. WT:N/A

THIRD ANGLE PROJECTION



**UNLESS OTHERWISE SPECIFIED
DIMENSIONS ARE IN INCHES.**
 TOLERANCES ON DECIMALS ANGLES
 0 = ± 0.030 ± 1/2°
 00 = ± 0.010
 000 = ± 0.005
 FRACTIONAL ± 1/64"
 1. ALL INSIDE EDGES TO HAVE
 .005" TO .035" FILLETS.
 2. ALL OUTSIDE EDGES TO HAVE
 .005" TO .015" CHAMFER OR RADIUS.
 125√ ON ALL MACHINED SURFACES

PROPRIETARY AND CONFIDENTIAL
 THE INFORMATION CONTAINED IN THIS
 DRAWING IS THE SOLE PROPERTY OF THE
 WILL-BURT COMPANY ANY
 REPRODUCTION IN PART OR WHOLE
 WITHOUT THE WRITTEN PERMISSION OF
 THE WILL-BURT COMPANY IS PROHIBITED.

WB AN EMPLOYEE OWNED COMPANY
 WILL-BURT ORRVILLE, OH

TITLE
**NS 4.5 690 3X230w SPC
 PROFILER 115V WHT**

APPROVALS	DATE
DRAWN RCC	1/23/2014
CHECKED	

SIZE	DWG NO	REV
B	721520011	00
PN: 721520011		SHEET 2 OF 2