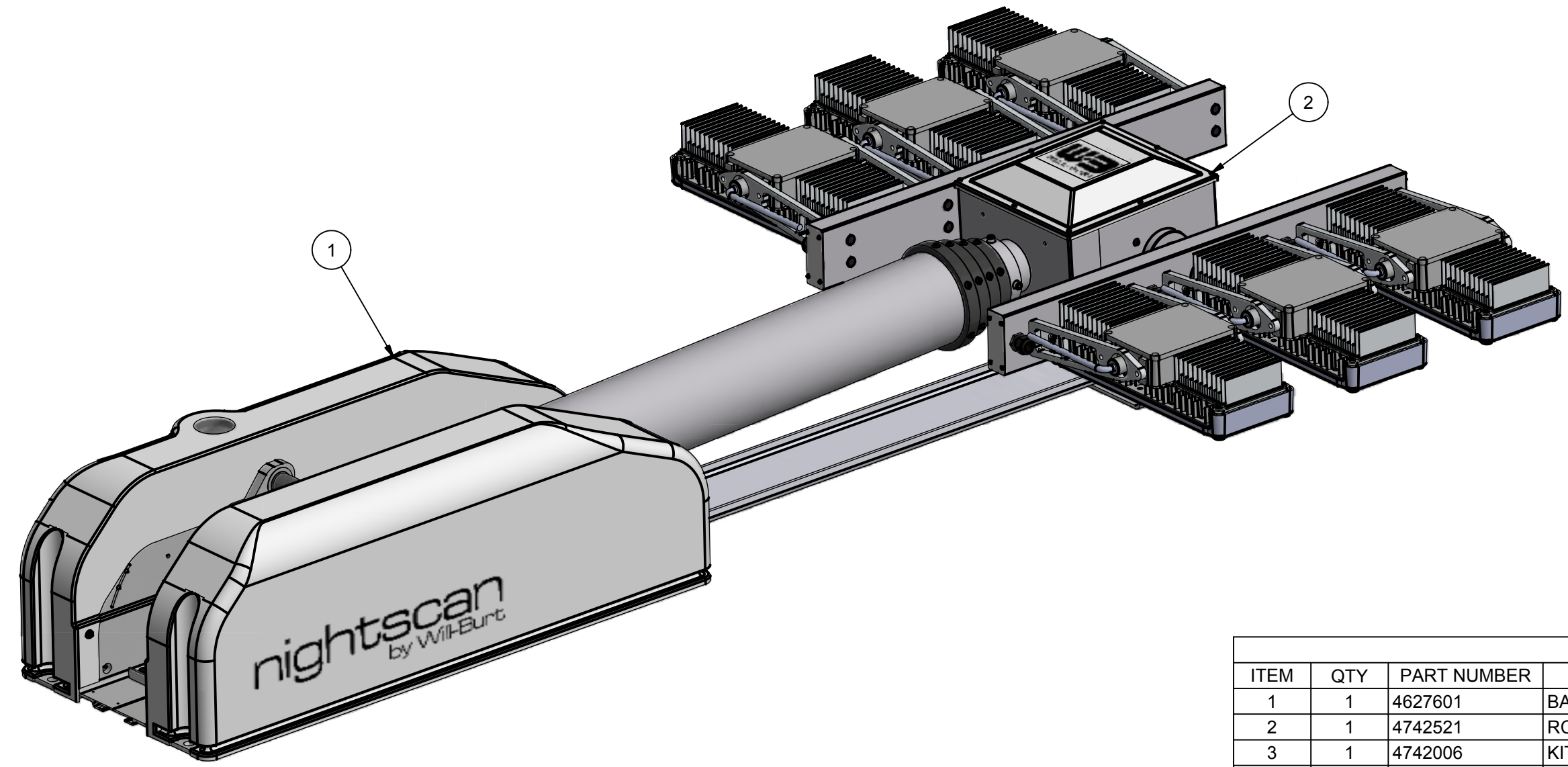


REVISION HISTORY				
ECN	REV	DESCRIPTION	DATE	BY/APPR
12998	00	INITIAL RELEASE	11/18/2015	RCC



BOM			
ITEM	QTY	PART NUMBER	DESCRIPTION
1	1	4627601	BASE ASSEMBLY NSP 15 FT. CLR ADZ
2	1	4742521	RCP ASSEMBLY NSP STD NO-SHAFTS CLR
3	1	4742006	KIT, LIGHT SPC MAX-S 2016 (6X336W)240AC
4	1	4706703	NSP LABEL KIT CE (NOT SHOWN)
6	1	911184	SHIPPING CARTON (NOT SHOWN)
7	1	TP-4723701	NSP MANUAL CD (NOT SHOWN)
8	1	WD-46276	WIRING DIAGRAM

UNLESS OTHERWISE SPECIFIED DIMENSIONS ARE IN INCHES.

TOLERANCES ON DECIMALS ANGLES
0 = ± 0.030 ± 1/2°
00 = ± 0.010
000 = ± 0.005

FRACTIONAL ± 1/64"
1. ALL INSIDE EDGES TO HAVE .005" TO .035" FILLETS.
2. ALL OUTSIDE EDGES TO HAVE .005" TO .015" CHAMFER OR RADIUS.

1/25" ON ALL MACHINED SURFACES

PROPRIETARY AND CONFIDENTIAL

THE INFORMATION CONTAINED IN THIS DRAWING IS THE SOLE PROPERTY OF THE WILL-BURT COMPANY ANY REPRODUCTION IN PART OR WHOLE WITHOUT THE WRITTEN PERMISSION OF THE WILL-BURT COMPANY IS PROHIBITED.

APPROVALS	DATE
DRAWN RCC	11/18/2015
CHECKED	

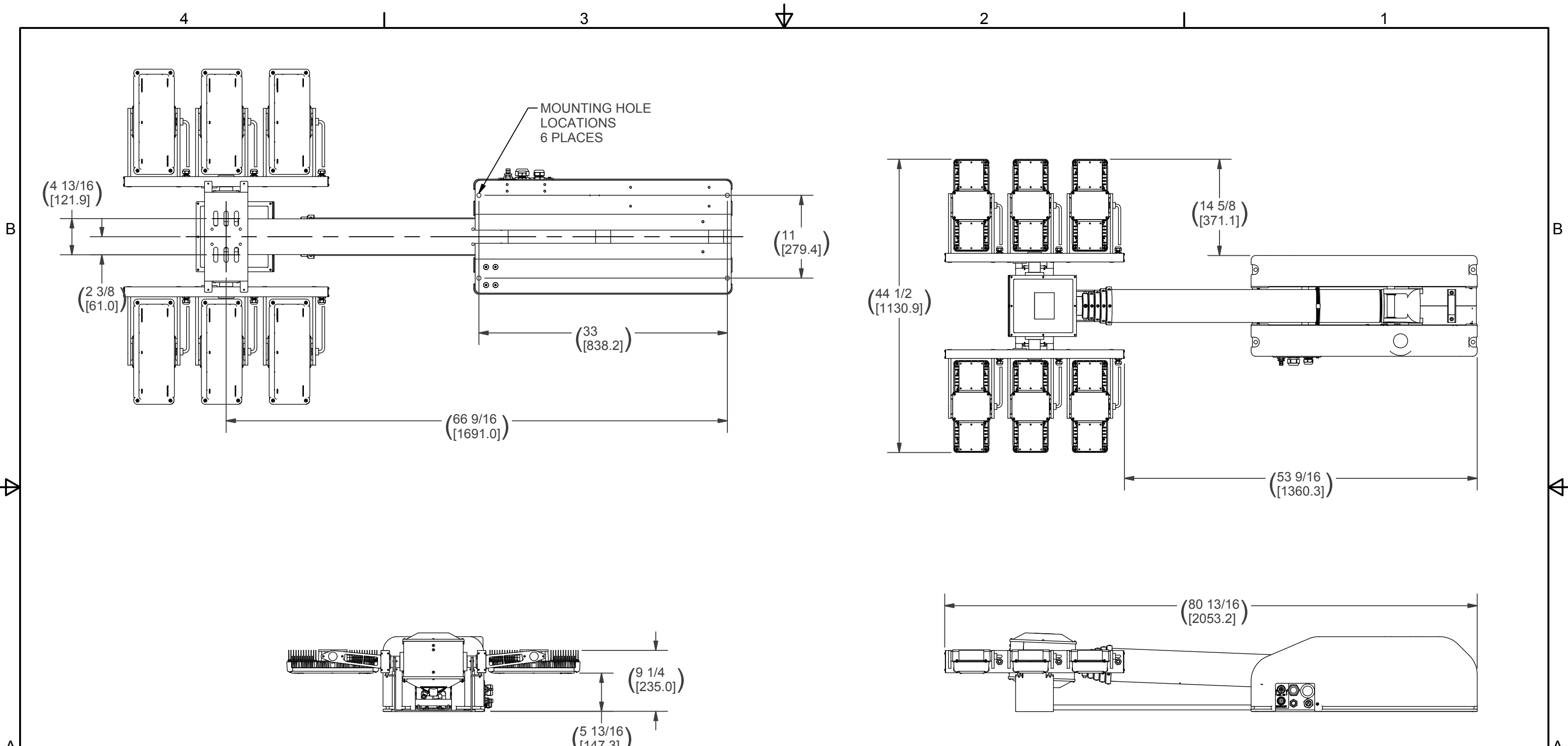
WILL-BURT AN EMPLOYEE OWNED COMPANY
ORRVILLE, OH

TITLE
NS 4.5 2100 6x350 SPC-MAX-S LED 240VAC

SIZE	DWG NO	REV
B	721579014	00

PN: 721579014 SHEET 1 OF 2





UNLESS OTHERWISE SPECIFIED DIMENSIONS ARE IN INCHES.

TOLERANCES ON DECIMALS ANGLES
 0 = ± 0.030 ± 1/2°
 00 = ± 0.010
 000 = ± 0.005

FRACTIONAL ± 1/64"
 1. ALL INSIDE EDGES TO HAVE .005" TO .035" FILLETS.
 2. ALL OUTSIDE EDGES TO HAVE .005" TO .015" CHAMFER OR RADIUS.

1/25" ON ALL MACHINED SURFACES



PROPRIETARY AND CONFIDENTIAL

THE INFORMATION CONTAINED IN THIS DRAWING IS THE SOLE PROPERTY OF THE WILL-BURT COMPANY ANY REPRODUCTION IN PART OR WHOLE WITHOUT THE WRITTEN PERMISSION OF THE WILL-BURT COMPANY IS PROHIBITED.

APPROVALS	DATE
DRAWN RCC	11/18/2015
CHECKED	

W.B. WILL-BURT AN EMPLOYEE OWNED COMPANY
 ORRVILLE, OH

TITLE
NS 4.5 2100 6x350 SPC-MAX-S LED 240VAC

SIZE	DWG NO	REV
B	721579014	00

PN: 721579014 SHEET 2 OF 2